



# T&S BRASS AND BRONZE WORKS, INC.

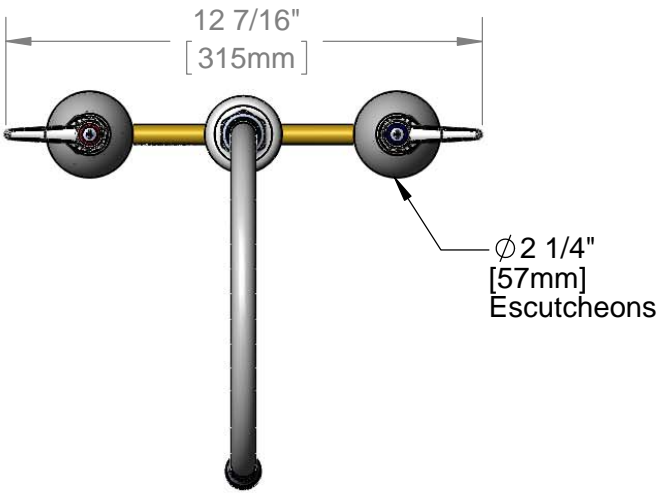
2 Saddleback Cove / P.O. Box 1088  
Travelers Rest, SC 29690

Model No.

**B-2852**

Item No.

Travelers Rest, SC: 800-476-4103 • Simi Valley, CA: 800-423-0150 • Fax: 864-834-3518 • www.tsbrass.com



This Space for Architect/Engineer Approval

Job Name \_\_\_\_\_ Date \_\_\_\_\_

Model Specified \_\_\_\_\_ Quantity \_\_\_\_\_

Customer/Wholesaler \_\_\_\_\_

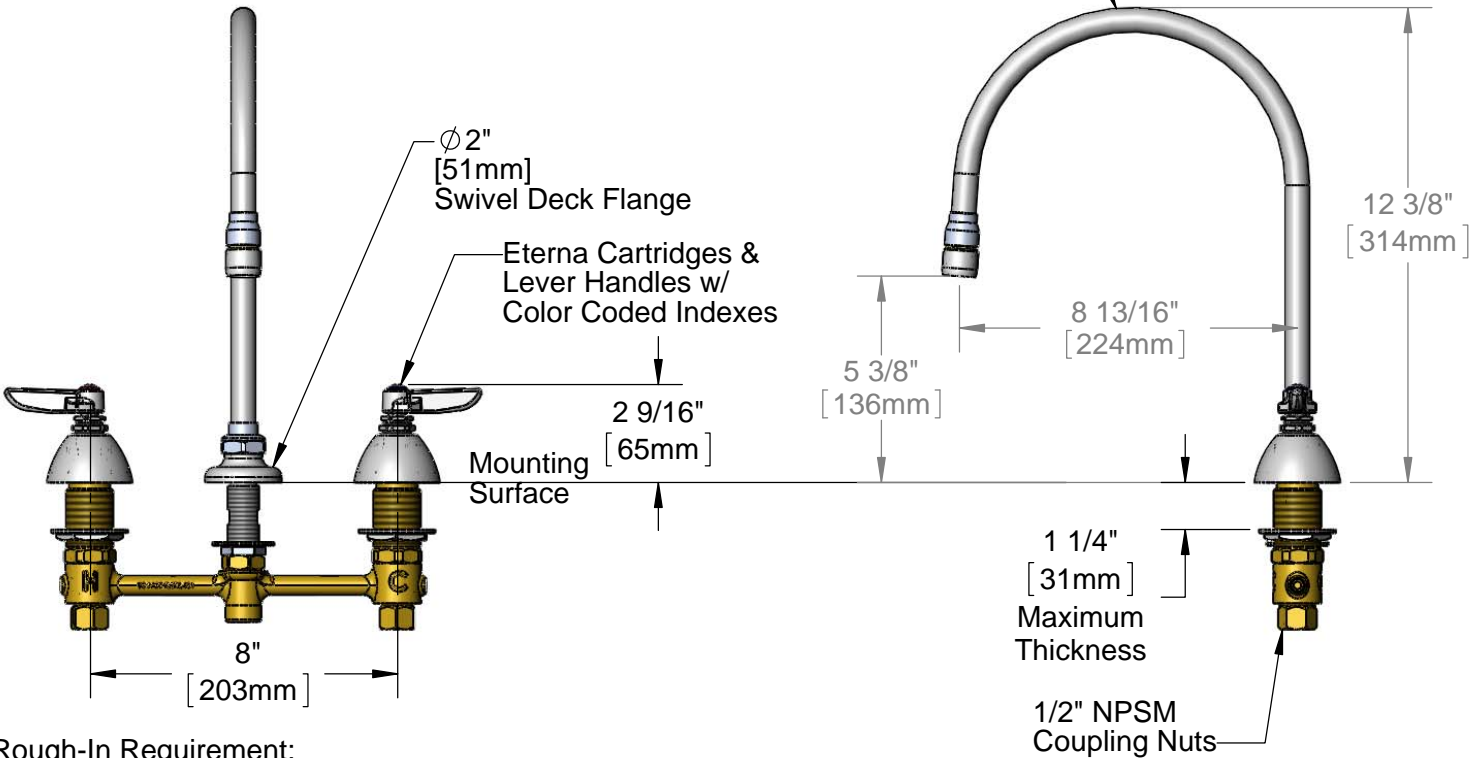
Contractor \_\_\_\_\_

Architect/Engineer \_\_\_\_\_



**ADA Compliant**

Swivel Gooseneck  
w/ B-0199-01  
2.2 GPM Male Aerator  
(Optional Swivel/Rigid  
Washer Included)



**Rough-In Requirement:**  
Ø 1" [25mm] for Center Shank  
Ø 1 1/2" [38mm] for Hot/Cold Side

**Product Specifications:**  
EasyInstall Faucet, Lever Handles, Eterna Cartridges, 8" Inlet Centers & Swivel Gooseneck w/ 2.2 GPM Male Aerator

**Product Compliance:**  
ASME A112.18.1 / CSA B125.1  
NSF 61 - Section 9  
NSF 372 (Low Lead Content)  
ANSI A117.1 (ADA)



# T&S BRASS AND BRONZE WORKS, INC.

2 Saddleback Cove / P.O. Box 1088  
Travelers Rest, SC 29690

Model No.

**B-2852**

Item No.

Travelers Rest, SC: 800-476-4103 • Simi Valley, CA: 800-423-0150 • Fax: 864-834-3518 • www.tsbrass.com

ITEM NO.	SALES NO.	DESCRIPTION
1	B-0199-01	2.2 GPM Aerator, 55/64-27 UN Female
2	B-0199-02	2.2 GPM Male Aerator, 3/8" NPSM
3	044A	3/8" to Aerator Adapter
4	001043-45	Washer
5	000557-25	Bell Adapter, 5/8-27 UN Female x 3/8" NPSM Female
6	001661-45	Red Index-HW
7	014200-45	Star Washer, Anti-Rotation
8	016754-40	EasyInstall CWS Swivel Center Shank
9	000922-45	Lever Handle Screw
10	001660-45	Blue Index-CW
11	001638-45	Lever Handle
12	001257-40	Bell Escutcheon
13	016742-45	Center Flange Nut
14	016745-45	Compression Nut & Fitting
15	016752-40	EasyInstall CWS LTC Eterna (Teflon)
16	016749-45	Sidebody C-Washer
17	016777-45	CWS Hanger
18	000958-20	Coupling Nut
19	016753-40	EasyInstall CWS RTC Eterna (Teflon)
20	016743-25	CWS Eterna Bonnet
21	009002-25	

017245-40  
Installation Repair Kit  
Includes #13, (2)#16, & #17

**Product Specifications:**

EasyInstall Faucet, Lever Handles, Eterna Cartridges, 8" Inlet Centers & Swivel Gooseneck w/ 2.2 GPM Male Aerator

**Product Compliance:**

ASME A112.18.1 / CSA B125.1  
NSF 61 - Section 9  
NSF 372 (Low Lead Content)  
ANSI A117.1 (ADA)