



T&S BRASS AND BRONZE WORKS, INC.

2 Saddleback Cove / P.O. Box 1088
Travelers Rest, SC 29690

Model No.

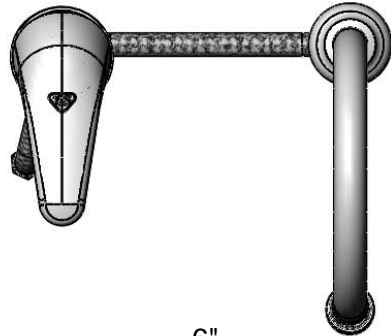
B-2741

Item No.

Travelers Rest, SC: 800-476-4103 • Simi Valley, CA: 800-423-0150 • Fax: 864-834-3518 • www.tsbrass.com



ADA Compliant



This Space for Architect/Engineer Approval

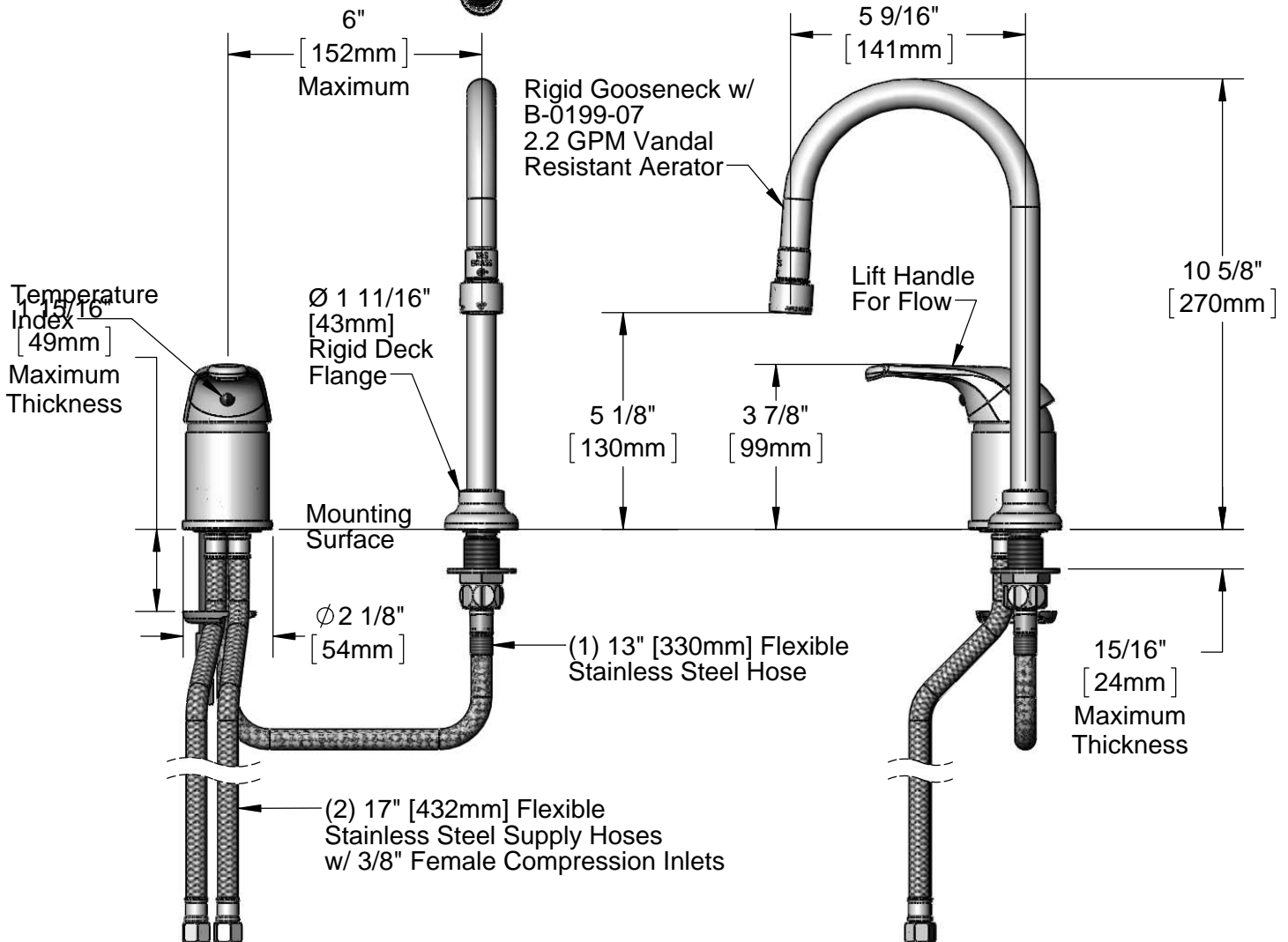
Job Name _____ Date _____

Model Specified _____ Quantity _____

Customer/Wholesaler _____

Contractor _____

Architect/Engineer _____



Rough-In Requirement
Side Mount: Ø 1 1/2" [38mm] Mounting Hole
Rigid Deck Flange: Ø 1" [25mm] Mounting Hole

Product Specifications:
Side Mount Faucet w/ Remote On-Off Control Base,
Ceramia Cartridge, Rigid Gooseneck w/ Vandal Resistant
2.2 GPM Aerator & 17" Flexible Stainless Steel Supply Hoses

Drawn DHL	Checked DMH	Approved JHB
Scale: 1:4		Date: 01/28/13



T&S BRASS AND BRONZE WORKS, INC.

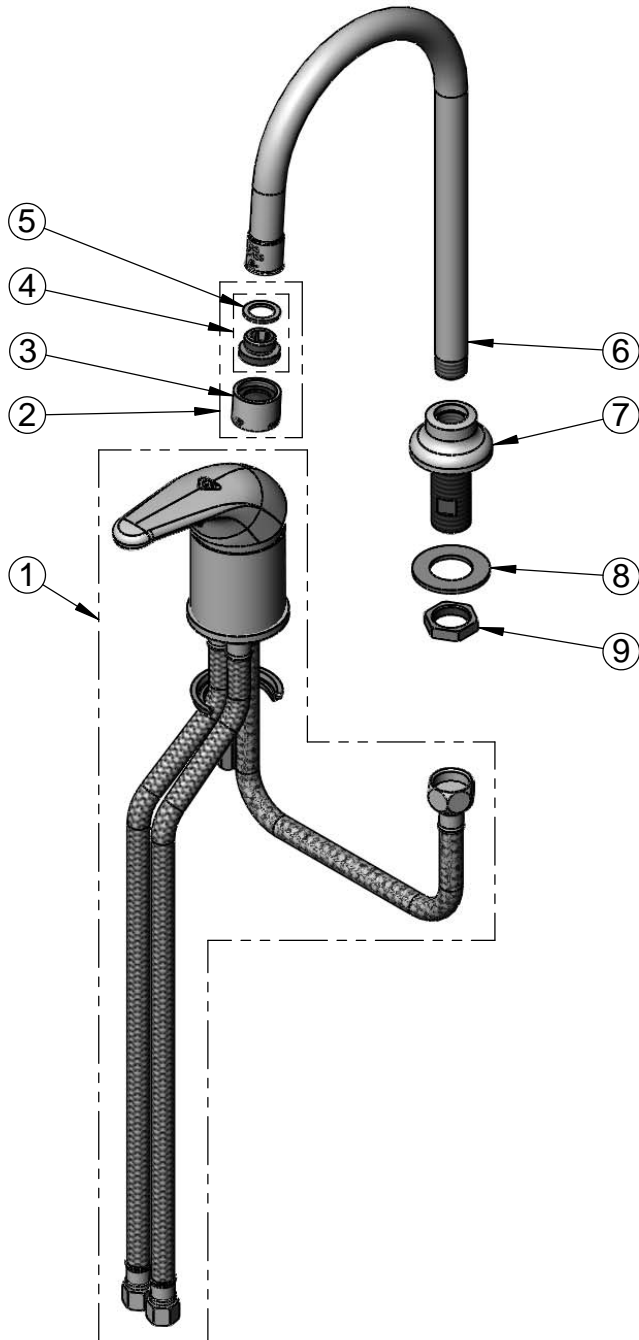
2 Saddleback Cove / P.O. Box 1088
Travelers Rest, SC 29690

Model No.

B-2741

Item No.

Travelers Rest, SC: 800-476-4103 • Simi Valley, CA: 800-423-0150 • Fax: 864-834-3518 • www.tsbrass.com



ITEM NO.	SALES NO.	DESCRIPTION
1	B-2740	Side Mount Single Lever Control Faucet
2	B-0199-07	VR 2.2 GPM Aerator, 3/8" NPSM Male w/ Key
3	B-0199-06	VR 2.2 GPM Aerator, 55/64-27 UN Female w/ Key
4	044A	3/8" to Aerator Adapter
5	001043-45	Washer
6	000398-40	Rigid Gooseneck
7	000137-40	Deck Mount Rigid Base
8	000999-45	Brass Lock Washer
9	002954-45	Shank Lock Nut
38	000958-20	Coupling Nut
39	001592-20	1/4" NPT Tailpiece



015425-45
VR Aerator Key

Product Specifications:
Side Mount Faucet w/ Remote On-Off Control Base,
Ceramia Cartridge, Rigid Gooseneck w/ Vandal Resistant
2.2 GPM Aerator & 17" Flexible Stainless Steel Supply Hoses

Drawn DHL	Checked DMH	Approved JHB
Scale: NTS		Date: 01/28/13