



T&S BRASS AND BRONZE WORKS, INC.

2 Saddleback Cove / P.O. Box 1088
Travelers Rest, SC 29690

Model No.

B-2358

Item No.

Travelers Rest, SC: 800-476-4103 • Simi Valley, CA: 800-423-0150 • Fax: 864-834-3518 • www.tsbrass.com



ADA Compliant

This Space for Architect/Engineer Approval

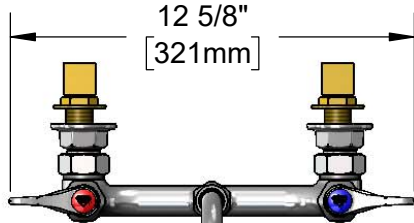
Job Name _____ Date _____

Model Specified _____ Quantity _____

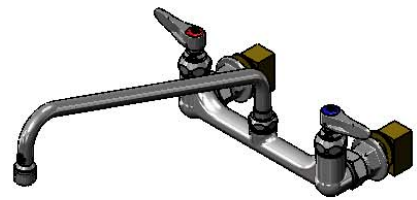
Customer/Wholesaler _____

Contractor _____

Architect/Engineer _____



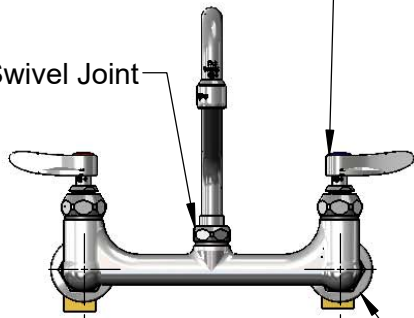
12 5/8"
[321mm]



063X
14" Swing Nozzle w/
Stream Regulator Outlet.
Converts to Rigid w/
014200-45
Lock Washer (Included).

Quarter-Turn Eterna Cartridges
w/ Spring Checks &
Lever Handles w/
Color Coded Indexes

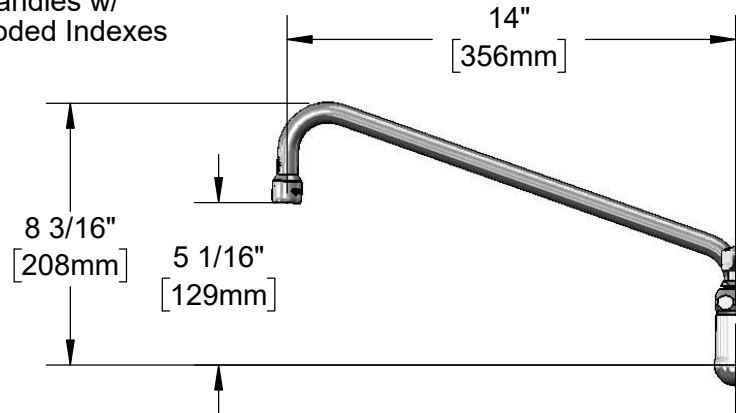
Swivel Joint



8"
[203mm]

Adjustable From
7 3/4" to 8 1/4"
[197mm to 210mm]

Ø 2" [51mm]
Flanges w/
1/2" NPT
Female Inlets



14"
[356mm]

8 3/16"
[208mm]

5 1/16"
[129mm]

2 3/8"
[61mm]

Mounting Surface
B-0425-M
1/2" NPT Supply
Nipple Kit &
006895-20
90 Degree Short EI
w/ 1/2" NPT Inlet
& Outlet

Product Specifications:

8" Wall Mount Mixing Faucet, Quarter-Turn Eterna Cartridges w/ Spring Checks, Lever Handles, 14" Swing Nozzle & 1/2" NPT Female Inlets w/ 1/2" NPT Supply Nipple Kit

Product Compliance:

ASME A112.18.1 / CSA B125.1
NSF 61 - Section 9
NSF 372 (Low Lead Content)
ANSI A117.1 (ADA)



T&S BRASS AND BRONZE WORKS, INC.

2 Saddleback Cove / P.O. Box 1088
Travelers Rest, SC 29690

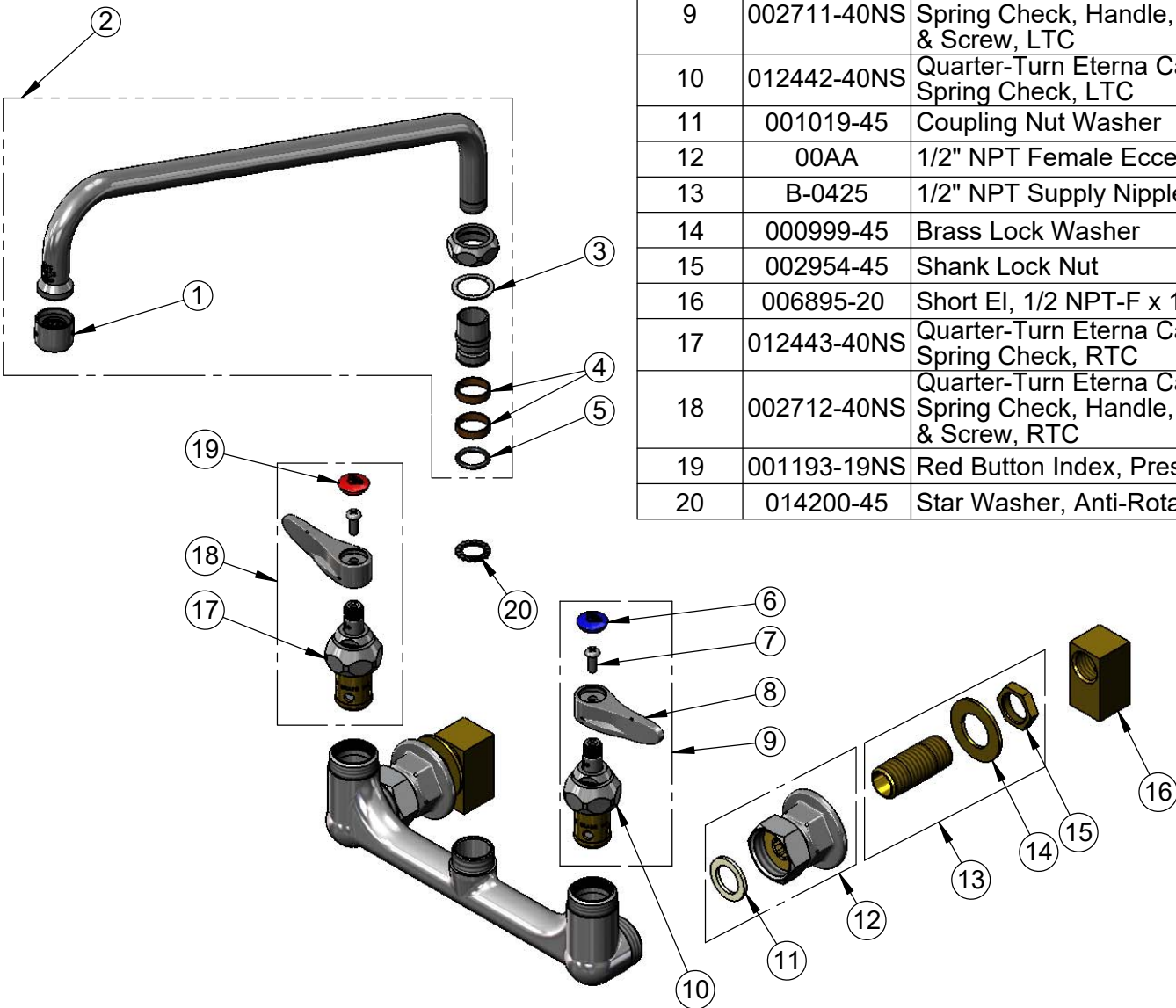
Model No.

B-2358

Item No.

Travelers Rest, SC: 800-476-4103 • Simi Valley, CA: 800-423-0150 • Fax: 864-834-3518 • www.tsbrass.com

ITEM NO.	SALES NO.	DESCRIPTION
1	B-PT	Full Flow Stream Regulator, 55/64-27
2	063X	14" Swivel Nozzle
3	009538-45	Swivel Washer
4	011429-45	Swivel Sleeves (2)
5	001074-45	O-Ring
6	018506-19NS	Blue Button Index, Press-in
7	000925-45	Lab Handle Screw
8	001638-45NS	Lever Handle (New Style)
9	002711-40NS	Quarter-Turn Eterna Cartridge w/ Spring Check, Handle, Blue Index & Screw, LTC
10	012442-40NS	Quarter-Turn Eterna Cartridge w/ Spring Check, LTC
11	001019-45	Coupling Nut Washer
12	00AA	1/2" NPT Female Eccentric Flange
13	B-0425	1/2" NPT Supply Nipple Kit
14	000999-45	Brass Lock Washer
15	002954-45	Shank Lock Nut
16	006895-20	Short EI, 1/2 NPT-F x 1/2 NPT-F
17	012443-40NS	Quarter-Turn Eterna Cartridge w/ Spring Check, RTC
18	002712-40NS	Quarter-Turn Eterna Cartridge w/ Spring Check, Handle, Red Index & Screw, RTC
19	001193-19NS	Red Button Index, Press-in
20	014200-45	Star Washer, Anti-Rotation



Product Specifications:
8" Wall Mount Mixing Faucet, Quarter-Turn Eterna Cartridges w/ Spring Checks, Lever Handles, 14" Swing Nozzle & 1/2" NPT Female Inlets w/ 1/2" NPT Supply Nipple Kit

Product Compliance:
ASME A112.18.1 / CSA B125.1
NSF 61 - Section 9
NSF 372 (Low Lead Content)
ANSI A117.1 (ADA)