



T&S BRASS AND BRONZE WORKS, INC.

2 Saddleback Cove / P.O. Box 1088
Travelers Rest, SC 29690

Model No.

B-2347-01

Item No.

Travelers Rest, SC: 800-476-4103 • Simi Valley, CA: 800-423-0150 • Fax: 864-834-3518 • www.tsbrass.com

This Space for Architect/Engineer Approval

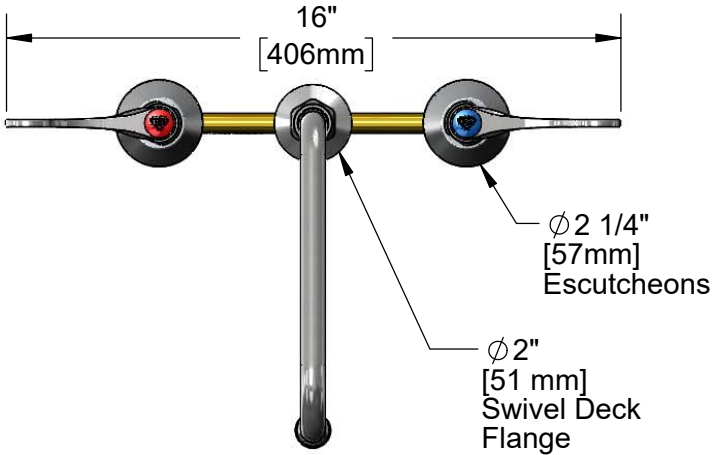
Job Name _____ Date _____

Model Specified _____ Quantity _____

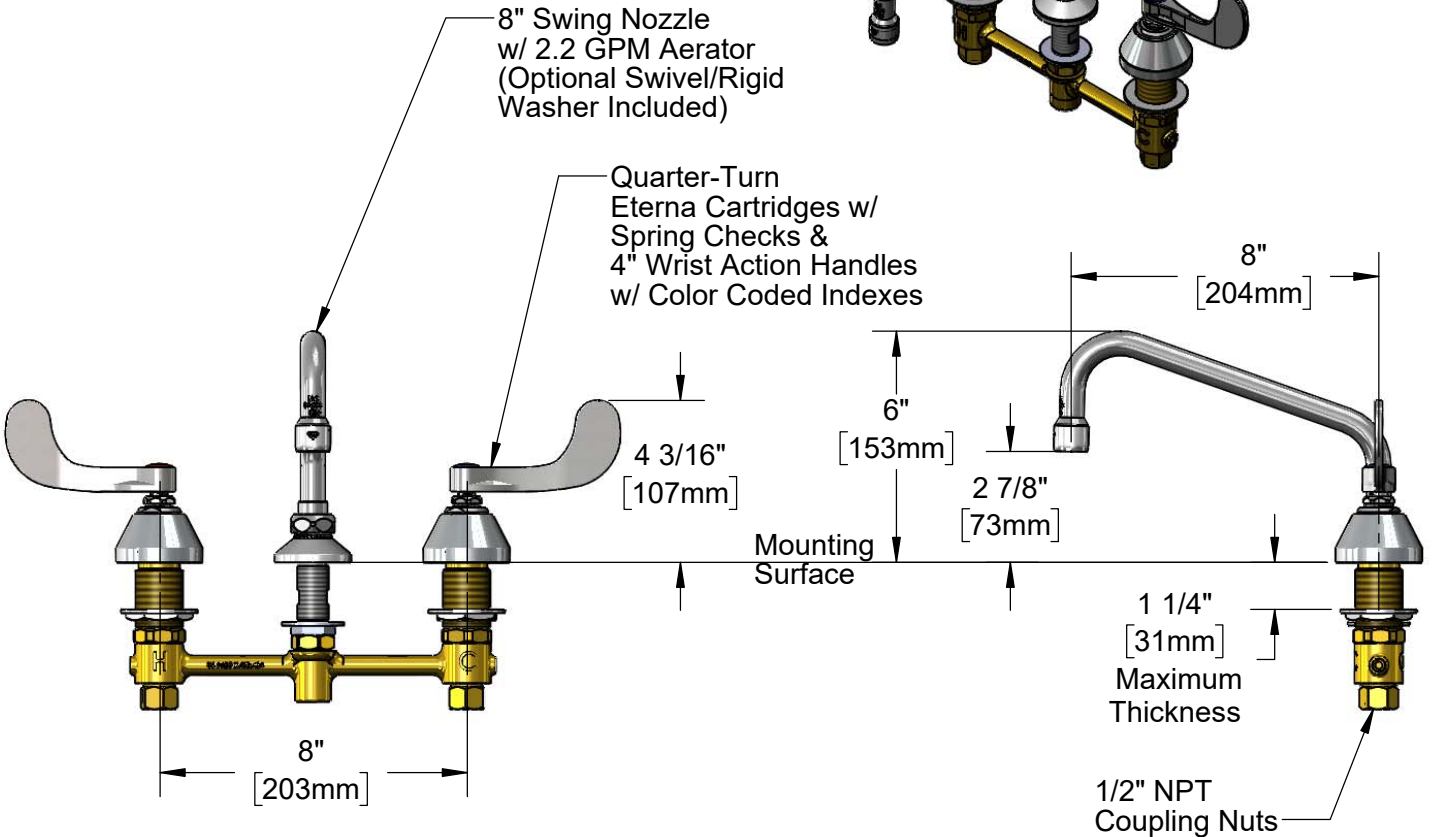
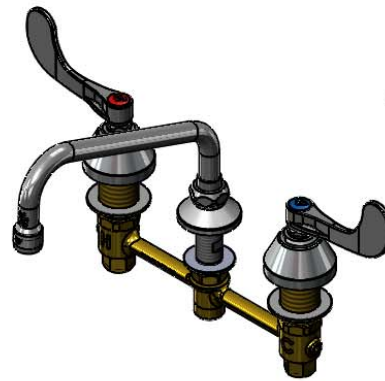
Customer/Wholesaler _____

Contractor _____

Architect/Engineer _____



ADA Compliant



Rough-In Requirement:

- $\phi 1$ " [25mm] for Center Shank
- $\phi 1 \frac{1}{2}$ " [38mm] for Hot/Cold Side

Product Specifications:

8" Concealed Widespread EasyInstall Mixing Faucet w/ 4" Wrist Action Handles, Quarter-Turn Eterna Cartridges w/ Spring Checks, 8" Swing Nozzle w/ 2.2 GPM Aerator, & 1/2" NPT Male Inlets w/ Coupling Nuts

Product Compliance:

ASME A112.18.1 / CSA B125.1
NSF 61 - Section 9
NSF 372 (Low Lead Content)
ANSI A117.1 (ADA)



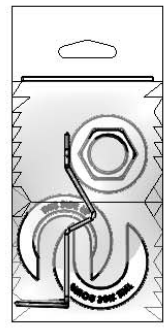
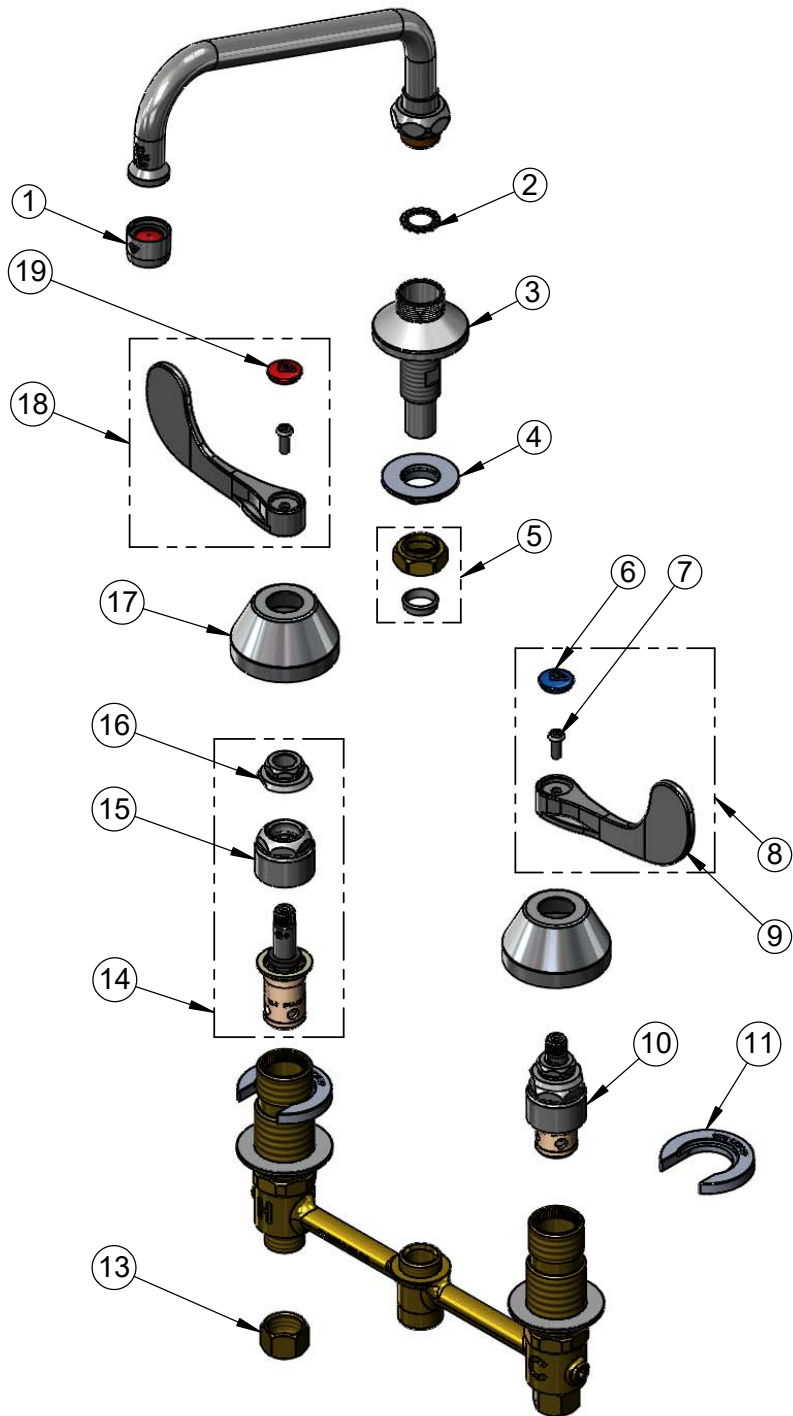
T&S BRASS AND BRONZE WORKS, INC.
 2 Saddleback Cove / P.O. Box 1088
 Travelers Rest, SC 29690

Model No.
B-2347-01

Item No.

Travelers Rest, SC: 800-476-4103 • Simi Valley, CA: 800-423-0150 • Fax: 864-834-3518 • www.tsbrass.com

| ITEM NO. | SALES NO. | DESCRIPTION |
|----------|-------------|---|
| 1 | B-0199-01 | 2.2 GPM Aerator |
| 2 | 014200-45 | Star Washer, Anti-Rotation |
| 3 | 016754-40 | EasyInstall CWS Swivel Center Shank |
| 4 | 016742-45 | Center Flange Nut |
| 5 | 016745-45 | Compression Nut & Fitting |
| 6 | 018506-19NS | Blue Button Index, Press-in |
| 7 | 000925-45 | Lab Handle Screw |
| 8 | B-WH4C-NS | Wrist Action Handle, Blue Index & Screw |
| 9 | B-WH4-NS | Wrist Action Handle (New Style) |
| 10 | 016752-40NS | EasyInstall, CWS Quarter-Turn Eterna Cartridge w/ Spring Check, LTC |
| 11 | 016749-45 | Sidebody C-Washer |
| 12 | 016777-45 | CWS Hanger |
| 13 | 000958-20 | Coupling Nut |
| 14 | 016753-40NS | EasyInstall, CWS Quarter-Turn Eterna Cartridge w/ Spring Check, RTC |
| 15 | 016743-25 | CWS Eterna Bonnet |
| 16 | 009002-40NS | CWS Packing Nut |
| 17 | 001257-40NS | Bell Escutcheon |
| 18 | B-WH4H-NS | Wrist Action Handle, Red Index & Screw |
| 19 | 001193-19NS | Red Button Index, Press-in |



017245-40
 Installation Repair Kit
 Includes #4, (2)#11 & #12

Product Specifications:
 8" Concealed Widespread EasyInstall Mixing Faucet w/ 4" Wrist Action Handles, Quarter-Turn Eterna Cartridges w/ Spring Checks, 8" Swing Nozzle w/ 2.2 GPM Aerator, & 1/2" NPT Male Inlets w/ Coupling Nuts

Product Compliance:
 ASME A112.18.1 / CSA B125.1
 NSF 61 - Section 9
 NSF 372 (Low Lead Content)
 ANSI A117.1 (ADA)