



T&S BRASS AND BRONZE WORKS, INC.

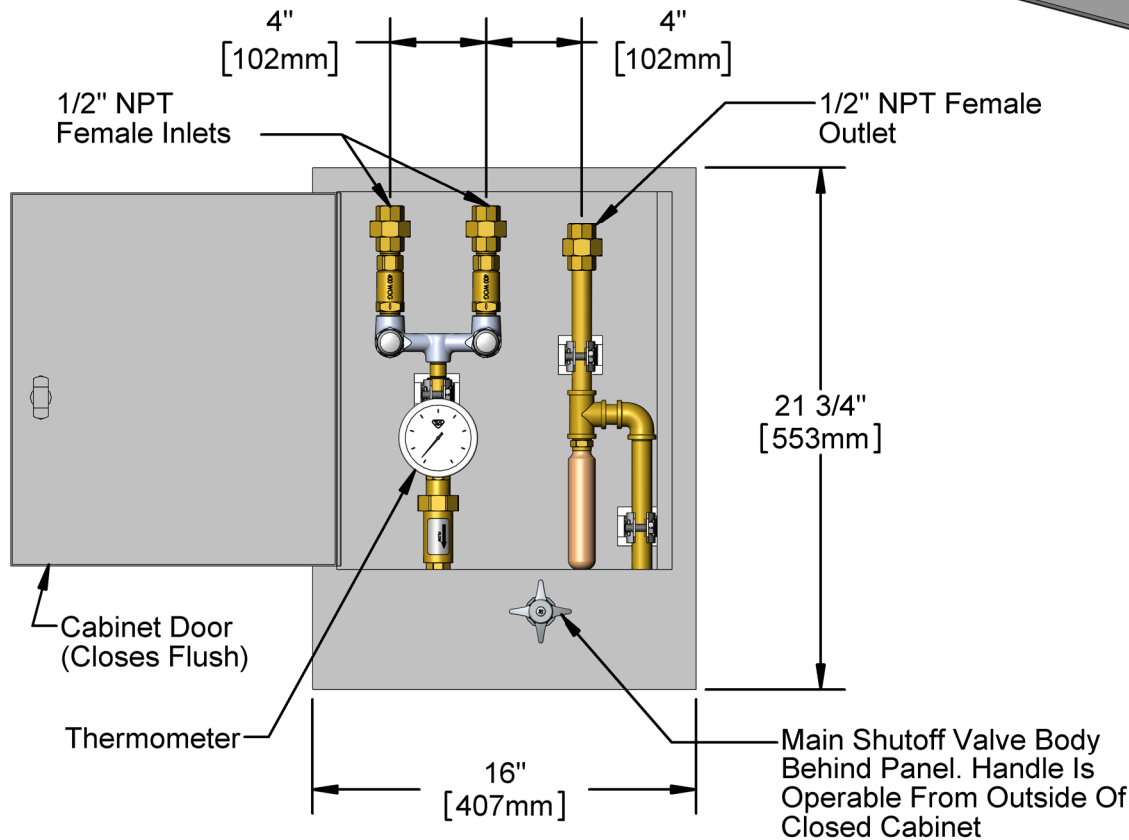
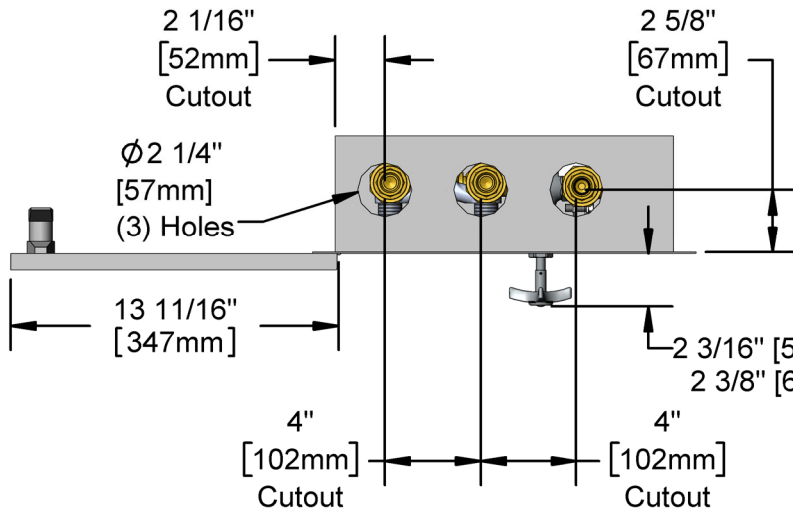
2 Saddleback Cove / P.O. Box 1088
Travelers Rest, SC 29690

Model No.

B-2339-LR

Item No.

Travelers Rest, SC: 800-476-4103 • Simi Valley, CA: 800-423-0150 • Fax: 864-834-3518 • www.tsbrass.com



This Space for Architect/Engineer Approval

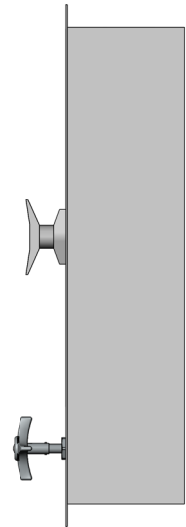
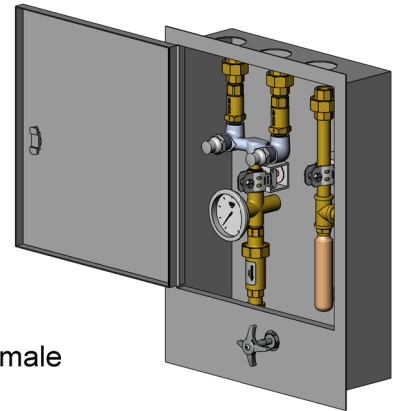
Job Name _____ Date _____

Model Specified _____ Quantity _____

Customer/Wholesaler _____

Contractor _____

Architect/Engineer _____



Cabinet Rough-In:
20 1/4" H x 14 1/4" W x 5" D

Notice:
This Product is Not Designed Nor Rated For Potable /
Drinking Water Applications.

Product Specifications:

Water Control Cabinet w/ Control Valve, Dual Check Valves, Thermometer,
Water Hammer Arrestor & 1/2" NPT Female Connections

Product Compliance:

NSF 61 Exempt (Non-Potable)
ASSE 1024 (VB)
ASSE 1010 (Arrestor)



T&S BRASS AND BRONZE WORKS, INC.

2 Saddleback Cove / P.O. Box 1088
Travelers Rest, SC 29690

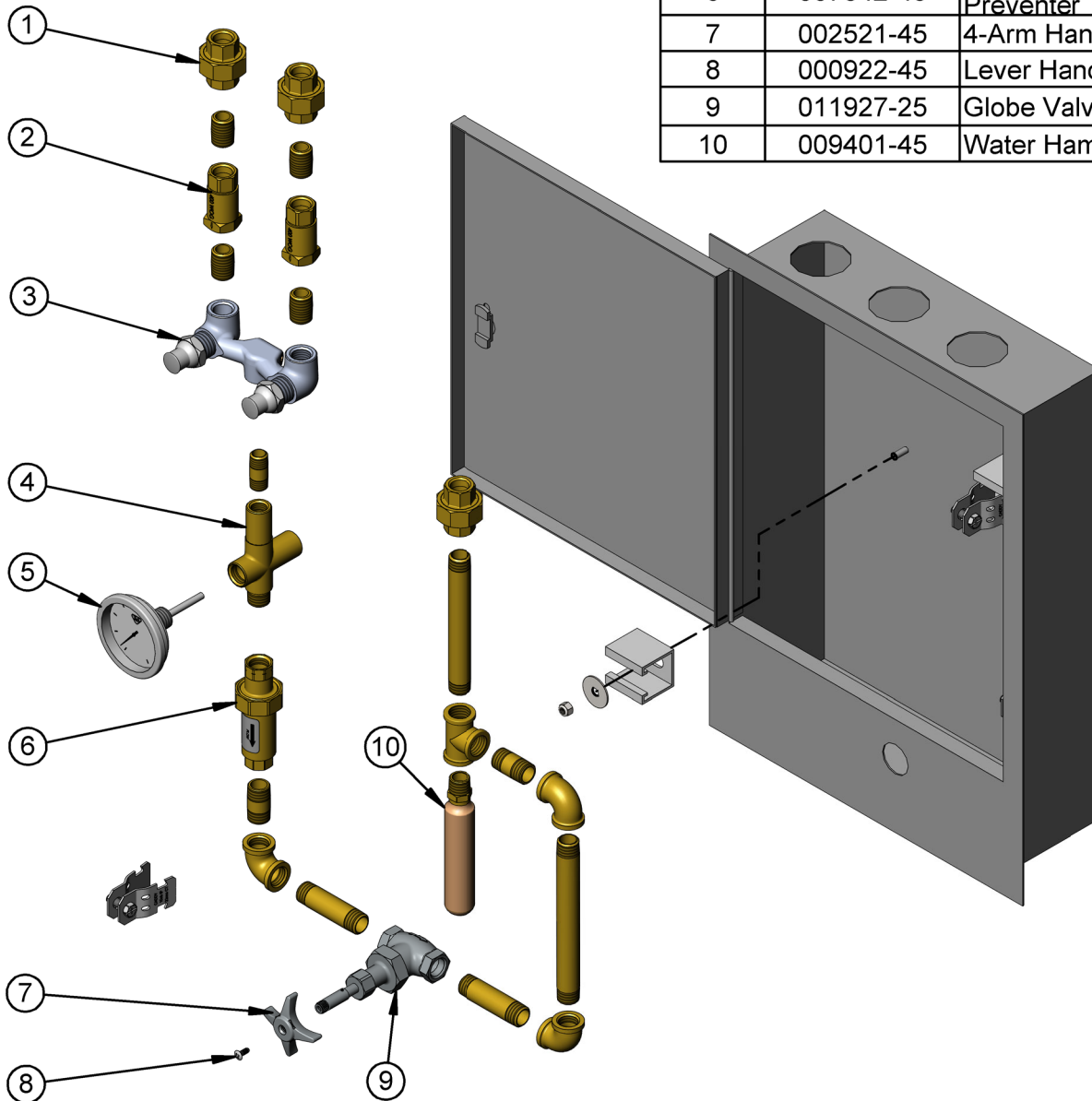
Model No.

B-2339-LR

Item No.

Travelers Rest, SC: 800-476-4103 • Simi Valley, CA: 800-423-0150 • Fax: 864-834-3518 • www.tsbrass.com

| ITEM NO. | SALES NO. | DESCRIPTION |
|----------|------------|-------------------------------------|
| 1 | 006649-20 | Union, 1/2" 250# |
| 2 | B-CVH1-2 | 1/2" Check Valve |
| 3 | 0RK1 | Mixing Valve |
| 4 | B-2339-TEE | Thermometer Tee |
| 5 | 003799-45 | Thermometer, Bi-Metal |
| 6 | 007842-45 | Dual Check Valve Backflow Preventer |
| 7 | 002521-45 | 4-Arm Handle |
| 8 | 000922-45 | Lever Handle Screw |
| 9 | 011927-25 | Globe Valve, 1/2" NPT |
| 10 | 009401-45 | Water Hammer Arrestor |



Product Specifications:

Water Control Cabinet w/ Control Valve, Dual Check Valves, Thermometer, Water Hammer Arrestor & 1/2" NPT Female Connections

Product Compliance:

NSF 61 Exempt (Non-Potable)
ASSE 1024 (VB)
ASSE 1010 (Arrestor)