



T&S BRASS AND BRONZE WORKS, INC.

2 Saddleback Cove / P.O. Box 1088
Travelers Rest, SC 29690



REG. #A2601
ISO #9001

Model No.

B-2338

Item No.

Travelers Rest, SC: 800-476-4103 • Simi Valley, CA: 800-423-0150 • Fax: 864-834-3518 • www.tsbrass.com

This Space for Architect/Engineer Approval

Job Name _____ Date _____

Model Specified _____ Quantity _____

Customer/Wholesaler _____

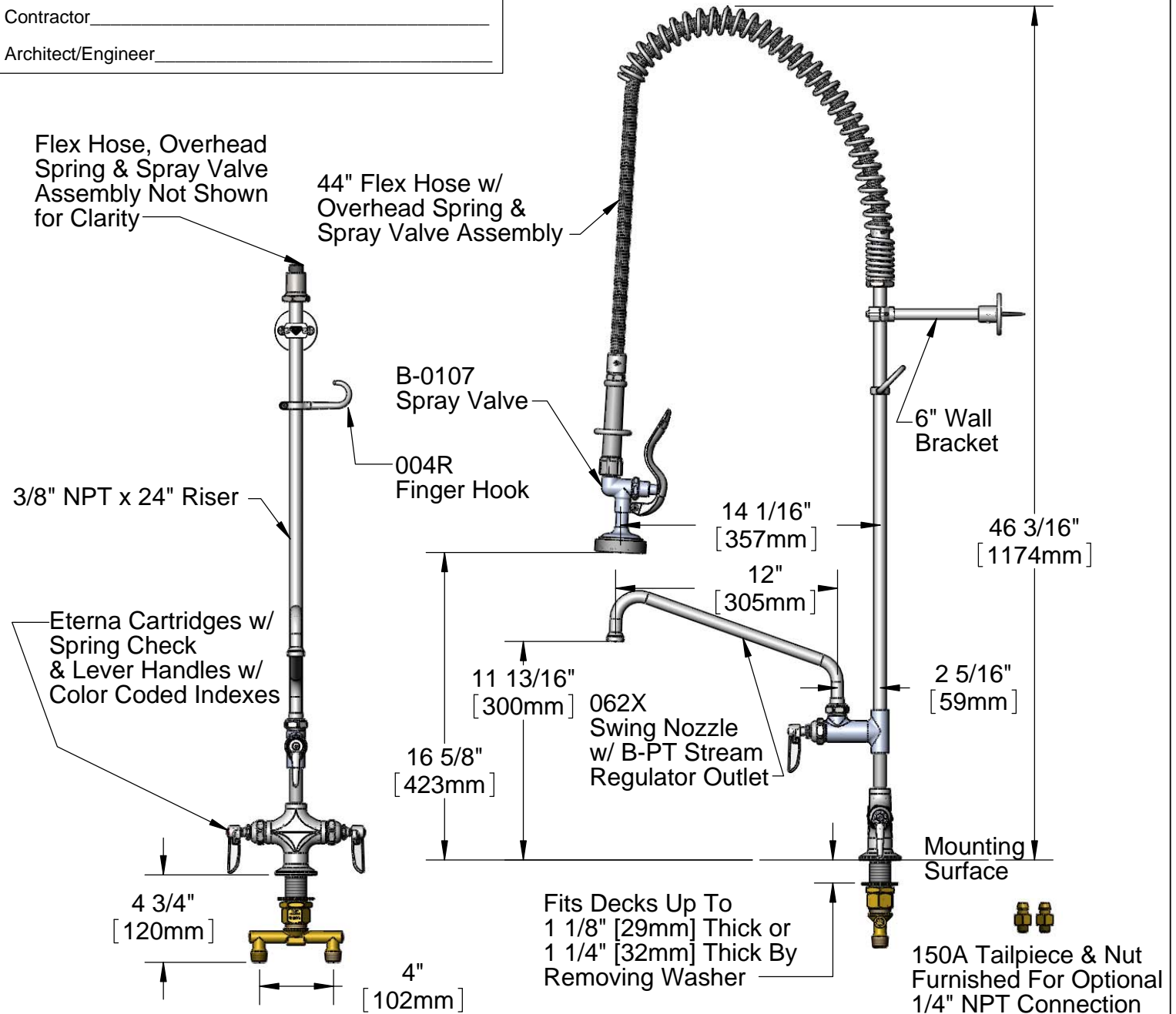
Contractor _____

Architect/Engineer _____

EPAct 2005 Compliant

Note: Rough-In Requirement

Ø 1 1/2" [Ø 38mm] Hole
(Ø 1 1/4" [Ø 32mm] Minimum)



Product Specifications:
EasyInstall Pre-Rinse Unit:
Single Deck Mount Base Mixing Faucet, Overhead Spring, 44" Flex Hose, B-0107 Spray Valve, & 6" Wall Bracket

Drawn	Checked	Approved
JRM	DMH	JHB
Scale:	Date:	
1:8	07/14/11	



T&S BRASS AND BRONZE WORKS, INC.

2 Saddleback Cove / P.O. Box 1088
Travelers Rest, SC 29690



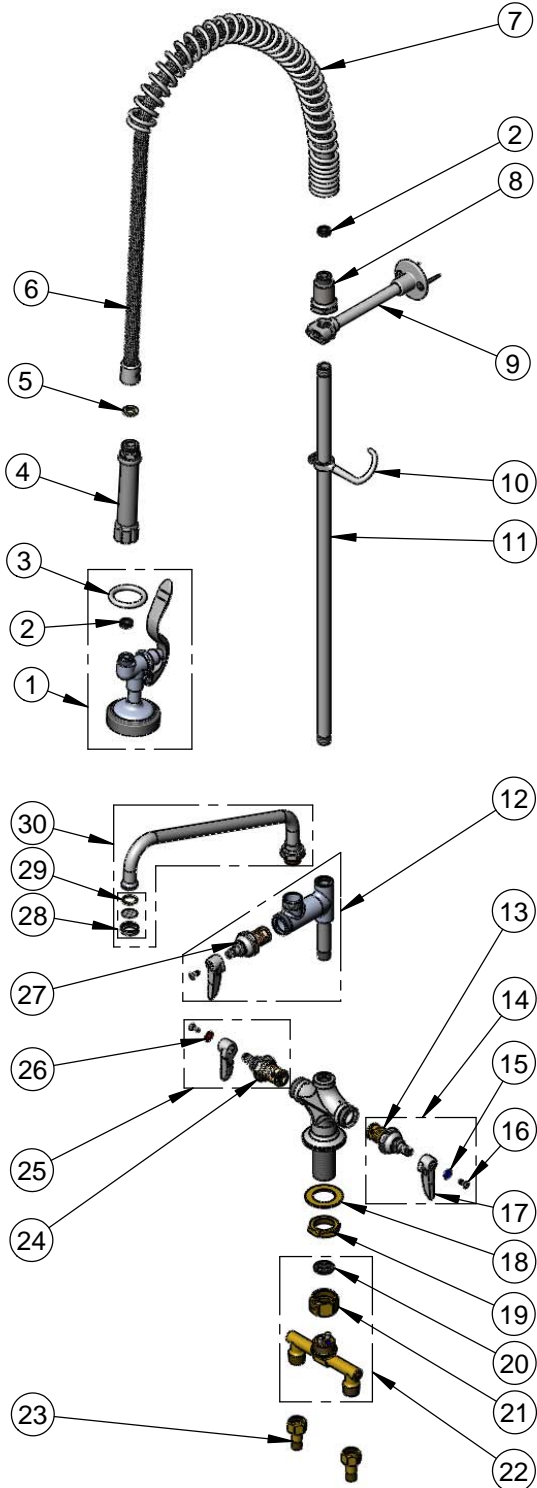
REG. #A2601
ISO #9001

Model No.

B-2338

Item No.

Travelers Rest, SC: 800-476-4103 • Simi Valley, CA: 800-423-0150 • Fax: 864-834-3518 • www.tsbrass.com



ITEM NO.	SALES NO.	DESCRIPTION
1	B-0107	Spray Valve Assembly
2	010476-45	#27 Washer
3	000907-45	Spray Valve Hold Down Ring
4	002987-40	Handle Grip
5	001014-45	Washer, B-0100 Hose Barrel
6	B-0044-H2A	44" SS Flex Hose w/o Handle
7	000888-45	EasyInstall Overhead Spring
8	000821-40	Spring Body
9	B-0109-01	6" Wall Bracket
10	004R	Finger Hook Assembly
11	000372-40	3/8" NPT x 24" Long Riser
12	B-0155-LN	B-0155 Add-On Faucet Body
13	012442-40	Cold Eterna Cartridge (LTC) w/ Spring Check
14	002711-40	Cold Eterna Cartridge (LTC) w/ Spring Check, Handle, Index, & Screw
15	001660-45	Blue Index-CW
16	000922-45	Lever Handle Screw
17	001638-45	Lever Handle
18	002290-45	Lock Washer
19	000965-45	Lock Nut
20	001041-45	Spreader Washer
21	000736-20	Spreader Coupler Nut
22	002898-40	4" Spreader Unit
23	150A	1/4" NPT Tailpiece
24	012443-40	Hot Eterna Cartridge (RTC) w/ Spring Check
25	002712-40	Hot Eterna Cartridge (RTC) w/ Spring Check, Handle, Index, & Screw
26	001661-45	Red Index-HW
27	007947-40	Quarter Turn Eterna Cartridge
28	B-PT	Stream Regulator Outlet
29	001048-45	Nozzle Tip Washer
30	062X	12" Swing Nozzle

Product Specifications:
EasyInstall Pre-Rinse Unit:
Single Deck Mount Base Mixing Faucet, Overhead
Spring, 44" Flex Hose, B-0107 Spray Valve, & 6" Wall Bracket

Drawn	Checked	Approved
JRM	DMH	JHB
Scale:		Date:
NTS		07/14/11