



T&S BRASS AND BRONZE WORKS, INC.

2 Saddleback Cove / P.O. Box 1088
Travelers Rest, SC 29690

Model No.

B-1432

Item No.

Travelers Rest, SC: 800-476-4103 • Simi Valley, CA: 800-423-0150 • Fax: 864-834-3518 • www.tsbrass.com

This Space for Architect/Engineer Approval

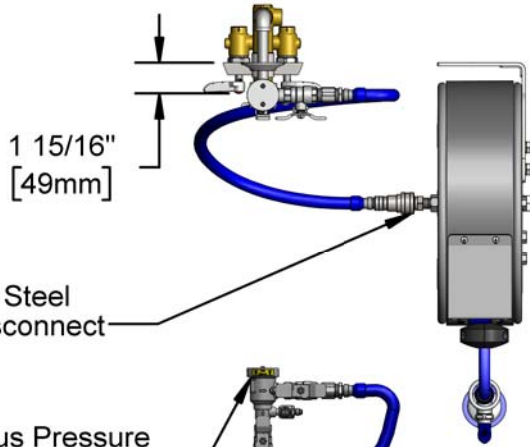
Job Name _____ Date _____

Model Specified _____ Quantity _____

Customer/Wholesaler _____

Contractor _____

Architect/Engineer _____



Stainless Steel Quick Disconnect

B-0963 Continuous Pressure Vacuum Breaker w/ Integral Check Valve

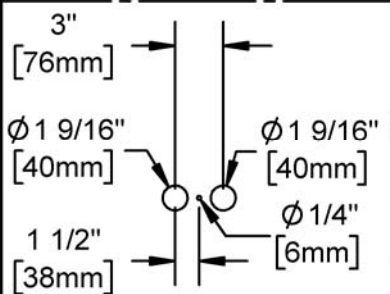
3/8" NPT x 36" Flexible Water Connector

B-0109-07 Wall Bracket

3/8" NPT x 22" Risers

Control Valve w/ \varnothing 2 3/4" [70mm] Flange

3/8" NPT x 12" Riser



Faucet Rough-In Requirements

019652-40 3/8" NPT Live Swivel

\varnothing 2 3/8" [60mm] Flange

\varnothing 1/2" [13mm] Typ

6 7/16" [164mm]

7 7/16" [188mm]

Enclosed Coated Hose Reel w/ 30' of 3/8" Hose

26 11/16" [679mm]

Mounting Surface

23 3/4" [602mm]

EB-0107 High Flow Spray Valve (Blue)

5 1/2" [139mm]

2 3/8" [60mm]

5 1/4" [133mm]

13 1/2" [343mm]

1/2" [13mm] Typ.

3/4" [19mm]

3" Concealed Mixing Faucet w/ Lever Handles & Color Coded Indexes

1/2 NPT Female Check Valves

Product Specifications:

Enclosed Coated Hose Reel w/ 30' of 3/8" Hose, High Flow Spray Valve (Blue) w/ Swivel, Vacuum Breaker, 3/8" NPT Flexible Water Connector, 3" Concealed Mixing Faucet & Control Valve

Product Compliance:

NSF 61 Exempt (Non-Potable)
2019 DOE PRSV Non-Compliant
ASSE 1056 (VB)



T&S BRASS AND BRONZE WORKS, INC.

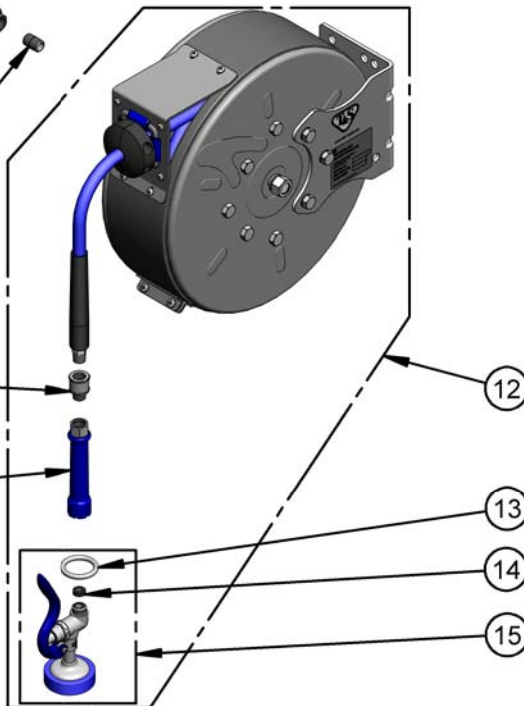
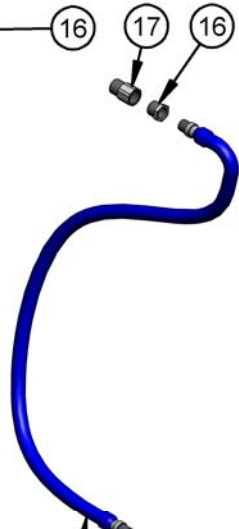
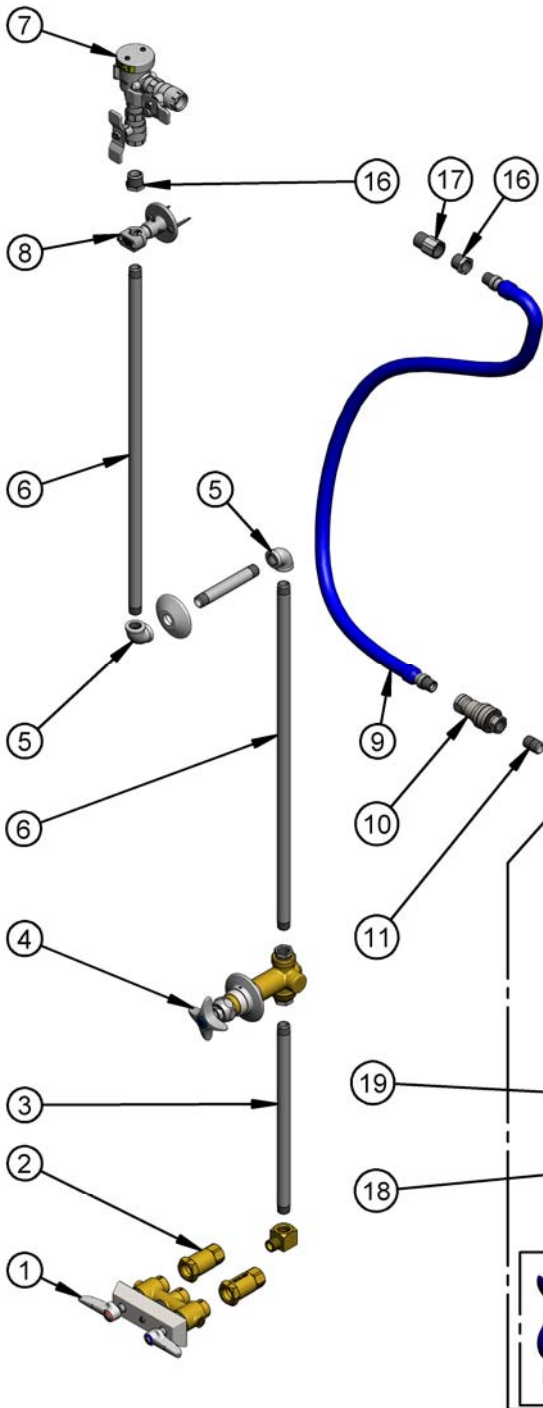
2 Saddleback Cove / P.O. Box 1088
Travelers Rest, SC 29690

Model No.

B-1432

Item No.

Travelers Rest, SC: 800-476-4103 • Simi Valley, CA: 800-423-0150 • Fax: 864-834-3518 • www.tsbrass.com



ITEM NO.	SALES NO.	DESCRIPTION
1	B-0513	3" Concealed Mixing Faucet
2	B-CVH1-2	1/2" Check Valve
3	145X	3/8" NPT x 12" Riser
4	0RK2	Control Valve
5	001355-40	Elbow, 3/8 NPT
6	000371-40	3/8" NPT x 22" Riser
7	B-0963	1/2" NPT Continuous Pressure VB w/ Integral Check Valve
8	B-0109-07	Wall Bracket
9	HW-2B-36	3/8 NPT x 36" Flexible Water Hose
10	AW-5B	3/8" NPT Quick Disconnect
11	002535-25	3/8" Close Nipple
12	B-7222-C01	Enclosed Coated Reel w/ 30' of 3/8" Hose
13	000907-45	Spray Valve Hold Down Ring
14	010476-45	#27 Washer
15	EB-0107	High Flow Spray Valve (Blue)
16	001359-40	1/2" NPT Male x 3/8" NPT Female Hex Bushing
17	015073-40	Check Valve w/ 1/2" NPT Adapter
18	012504-40	Grip Handle (Blue), 3/8" NPT
19	019652-40	3/8" NPT Live Swivel

Product Specifications:
 Enclosed Coated Hose Reel w/ 30' of 3/8" Hose, High Flow Spray Valve (Blue) w/ Swivel, Vacuum Breaker, 3/8" NPT Flexible Water Connector, 3" Concealed Mixing Faucet & Control Valve

Product Compliance:
 NSF 61 Exempt (Non-Potable)
 2019 DOE PRSV Non-Compliant
 ASSE 1056 (VB)