



T&S BRASS AND BRONZE WORKS, INC.
 2 Saddleback Cove / P.O. Box 1088
 Travelers Rest, SC 29690

Model No.
B-1215

Item No.

Travelers Rest, SC: 800-476-4103 • Simi Valley, CA: 800-423-0150 • Fax: 864-834-3518 • www.tsbrass.com



ADA Compliant

This Space for Architect/Engineer Approval

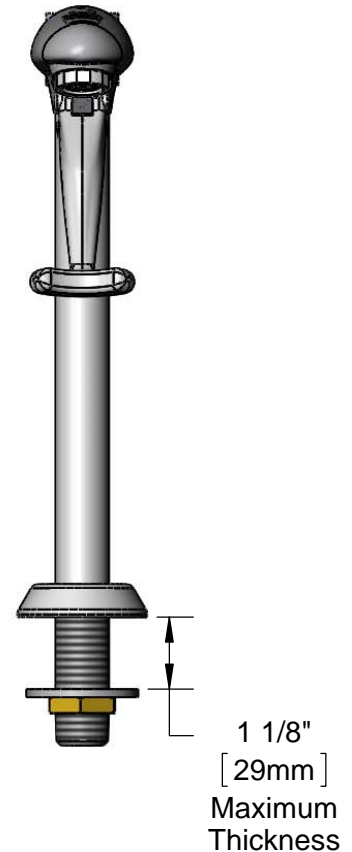
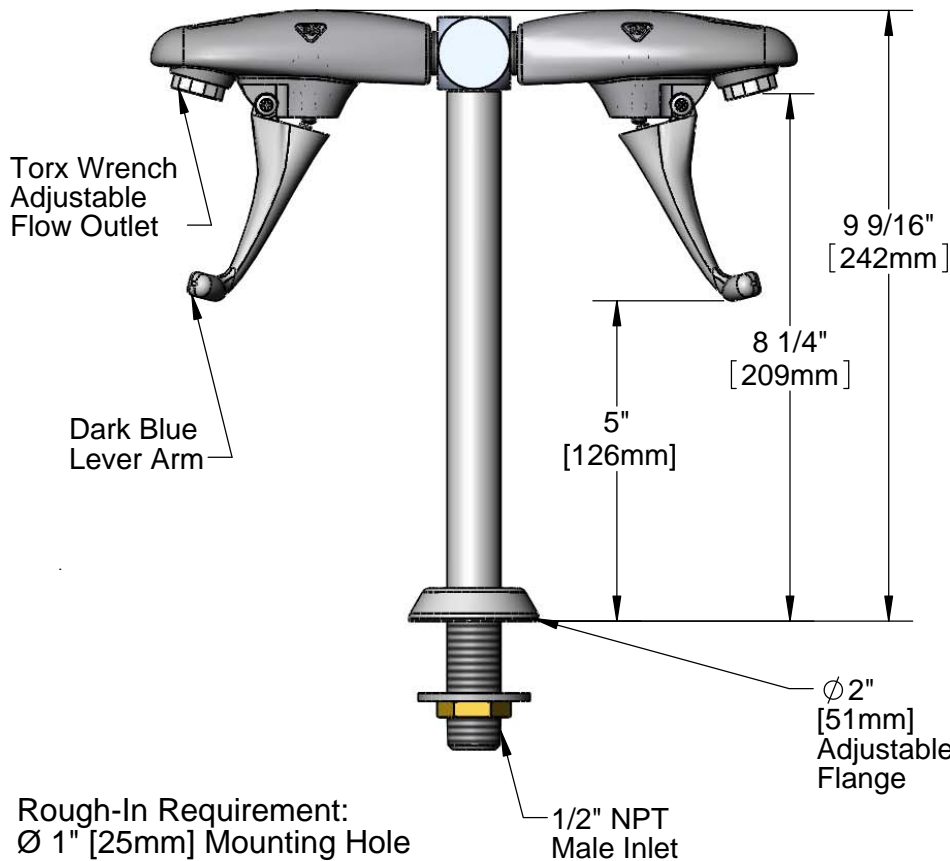
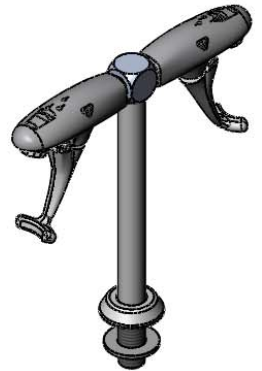
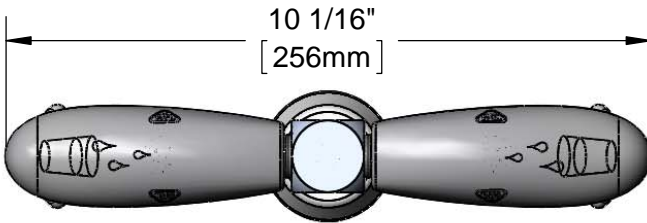
Job Name _____ Date _____

Model Specified _____ Quantity _____

Customer/Wholesaler _____

Contractor _____

Architect/Engineer _____



Rough-In Requirement:
 Ø 1" [25mm] Mounting Hole

1/2" NPT
 Male Inlet

Ø 2"
 [51mm]
 Adjustable
 Flange

1 1/8"
 [29mm]
 Maximum
 Thickness

Product Specifications:
 8" Pedestal Type Double Glass Filler, Push Back Design,
 1/2" NPT Male Shank, Adjustable Flange,
 & Dark Blue Self-Closing Arm

Drawn JRM	Checked DMH	Approved JHB
Scale: 1:3		Date: 01/24/13



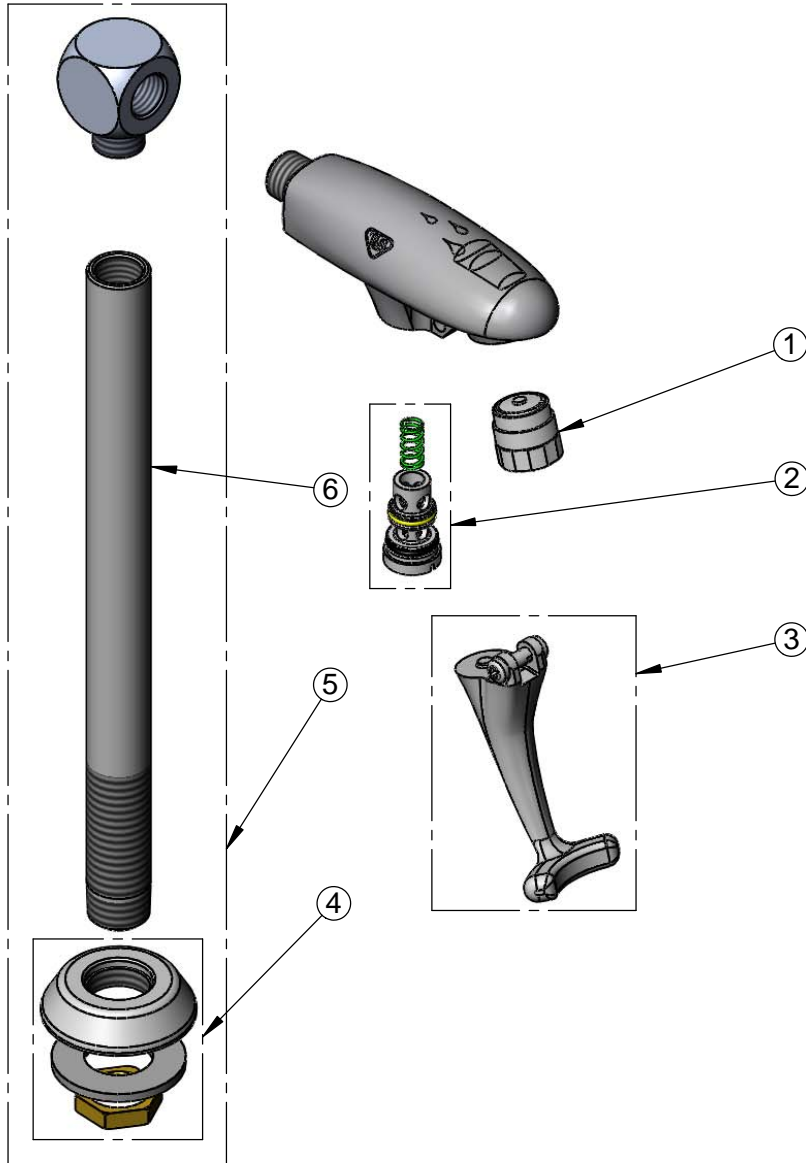
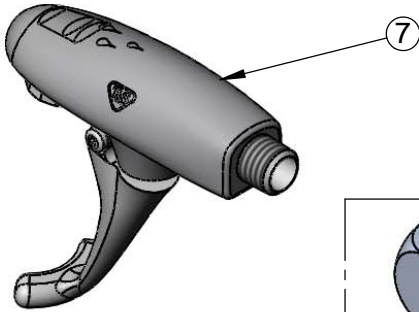
T&S BRASS AND BRONZE WORKS, INC.
 2 Saddleback Cove / P.O. Box 1088
 Travelers Rest, SC 29690

Model No.
B-1215

Item No.

Travelers Rest, SC: 800-476-4103 • Simi Valley, CA: 800-423-0150 • Fax: 864-834-3518 • www.tsbrass.com

ITEM NO.	SALES NO.	DESCRIPTION
1	015588-40	Adjustable Outlet w/ Torx Wrench
2	015589-40	Valve Assembly
3	015550-45	Lever Arm Repair Kit
4	016783-40	Adjustable Deck Flange Repair Kit
5	007009-40	Pedestal Assembly
6	000425-40	8" B-1215 Pedestal
7	B-1205	Wall Mount Glass Filler



Product Specifications:
 8" Pedestal Type Double Glass Filler, Push Back Design,
 1/2" NPT Male Shank, Adjustable Flange,
 & Dark Blue Self-Closing Arm

Drawn JRM	Checked DMH	Approved JHB
Scale: NTS		Date: 01/24/13