



T&S BRASS AND BRONZE WORKS, INC.
 2 Saddleback Cove / P.O. Box 1088
 Travelers Rest, SC 29690

Model No.
B-1210-WFK

Item No.

Travelers Rest, SC: 800-476-4103 • Simi Valley, CA: 800-423-0150 • Fax: 864-834-3518 • www.tsbrass.com



ADA Compliant

This Space for Architect/Engineer Approval

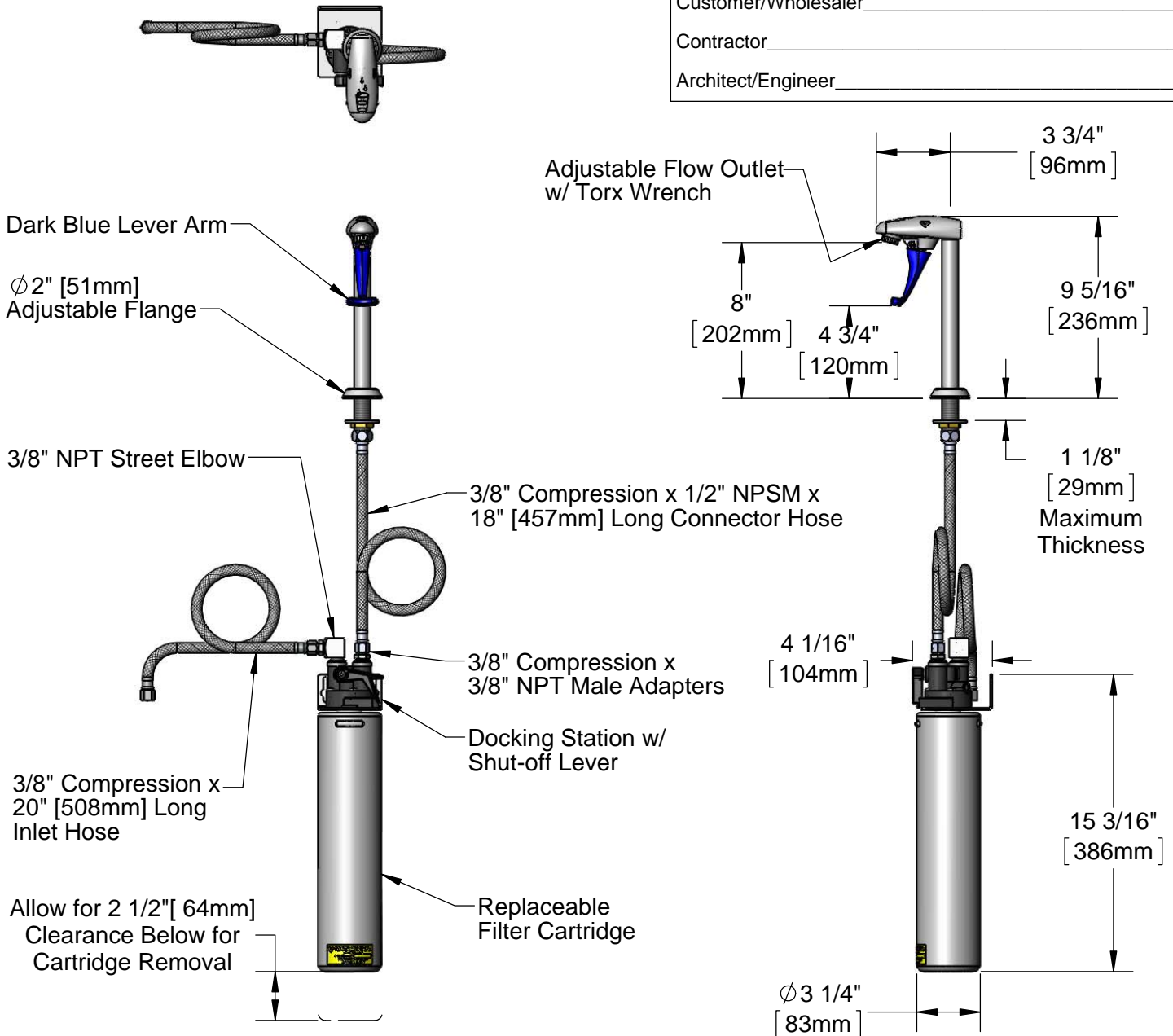
Job Name _____ Date _____

Model Specified _____ Quantity _____

Customer/Wholesaler _____

Contractor _____

Architect/Engineer _____



Rough-In Requirement:
 Ø 1" [25mm] Mounting Hole

Product Specifications:
 8" Pedestal Type Glass Filler w/ Water Filtration Kit

Product Compliance:
 ASME A112.18.1 / CSA B125.1
 NSF 61 - Section 9
 NSF 372 (Low Lead Content)
 ANSI A117.1 (ADA)



T&S BRASS AND BRONZE WORKS, INC.

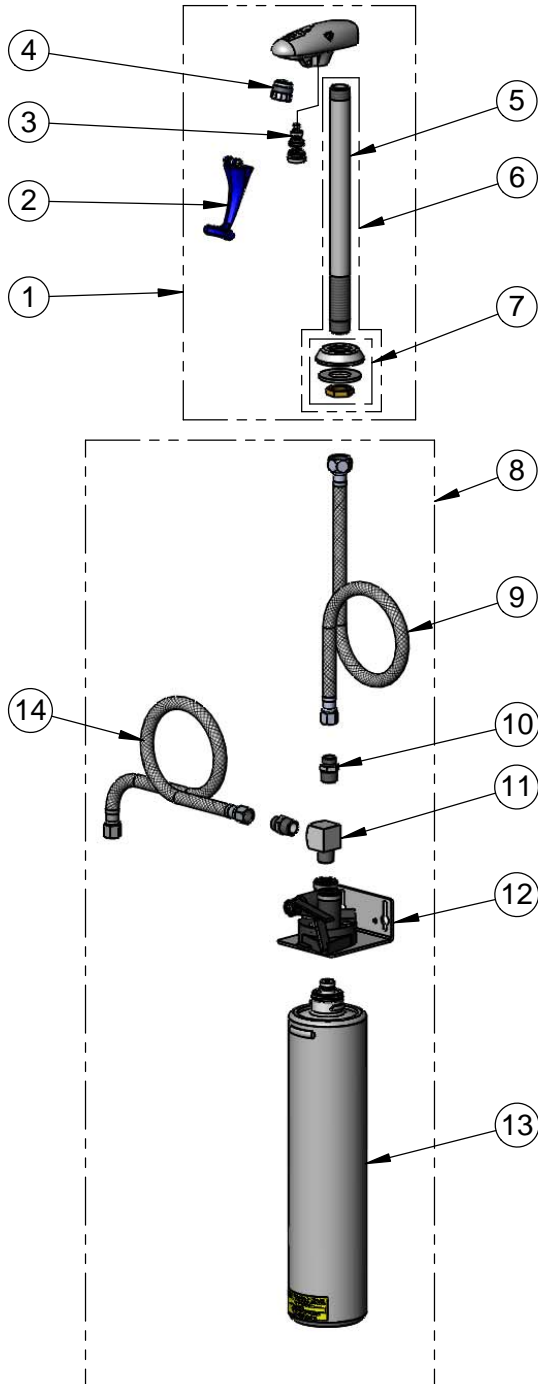
2 Saddleback Cove / P.O. Box 1088
Travelers Rest, SC 29690

Model No.

B-1210-WFK

Item No.

Travelers Rest, SC: 800-476-4103 • Simi Valley, CA: 800-423-0150 • Fax: 864-834-3518 • www.tsbrass.com



ITEM NO.	SALES NO.	DESCRIPTION
1	B-1210	8" Pedestal Type Glass Filler
2	015550-45	Lever Arm Repair Kit
3	015589-40	Valve
4	015588-40	Adjustable Outlet w/ Torx Wrench
5	015886-40	B-1210 Pedestal
6	015887-40	Pedestal
7	016783-40	Adjustable Deck Flange Repair Kit
8	B-WKF	Water Filtration Kit
9	5EF-0005	Supply Hose, 9/16-24 Female x 1/2" NPSM
10	006101-45	Adapter, 3/8" NPT x 9/16"-24 UN Male
11	148X	3/8 Street Elbow
12	B-WFDS	Water Filtration Docking Station
13	B-WFC	Filter Cartridge
14	013146-45	Supply Hose, 9/16-24 Fem (3/8" Compression)



Product Specifications:
8" Pedestal Type Glass Filler w/ Water Filtration Kit

Product Compliance:
ASME A112.18.1 / CSA B125.1
NSF 61 - Section 9
NSF 372 (Low Lead Content)
ANSI A117.1 (ADA)