



# T&S BRASS AND BRONZE WORKS, INC.

2 Saddleback Cove / P.O. Box 1088  
Travelers Rest, SC 29690

Model No.

**B-1172-96-135X**

Item No.

Travelers Rest, SC: 800-476-4103 • Simi Valley, CA: 800-423-0150 • Fax: 864-834-3518 • www.tsbrass.com

This Space for Architect/Engineer Approval

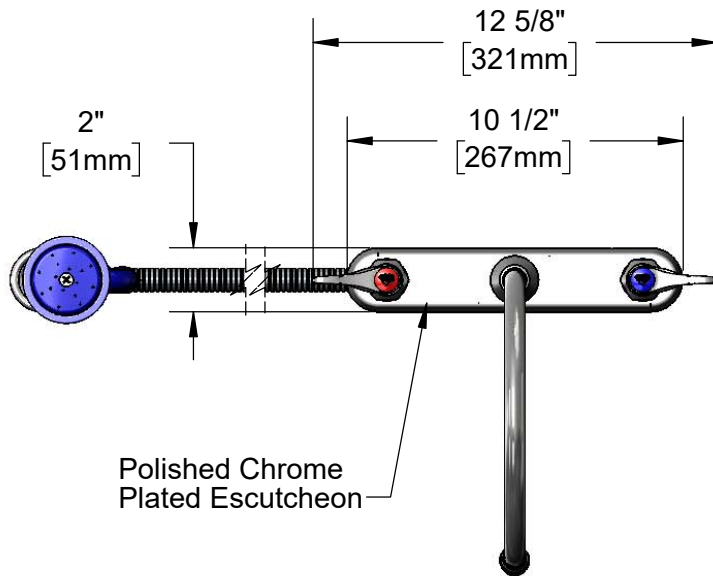
Job Name \_\_\_\_\_ Date \_\_\_\_\_

Model Specified \_\_\_\_\_ Quantity \_\_\_\_\_

Customer/Wholesaler \_\_\_\_\_

Contractor \_\_\_\_\_

Architect/Engineer \_\_\_\_\_



Polished Chrome Plated Escutcheon



Quarter-Turn Eterna Cartridges w/ Spring Checks & Lever Handles w/ Color Coded Indexes

Swivel Gooseneck w/ B-0199-02 2.2 GPM Aerator

EB-0107 High Flow Spray Valve

360° Swivel Piece

3 5/16" [84mm]

1" [26mm]

13 3/4" [350mm]

8 13/16" [224mm]

6 3/4" [172mm]

Mounting Surface

1/8" [3mm] Maximum Thickness

B-KF Deck Flange

1" [25mm] 1/2" NPT Male Inlets

EB-0096-H 96" Flexible Stainless Steel Hose

(2) 150A Optional Tailpieces & Nuts for 1/4" NPT Connection (Included)

Rough-In Requirement:  
Faucet: (3)  $\phi$  1" [25mm] Mounting Holes  
Deck Flange: (1)  $\phi$  1 9/16" [40mm] Mounting Hole

**Product Specifications:**

8" Deck Mount Workboard Mixing Faucet, Quarter-Turn Eterna Cartridges w/ Spring Checks, Lever Handles, 8 13/16" Swivel Gooseneck, 2.2 GPM Aerator, 96" Flexible Stainless Steel Hose, High Flow Spray Valve, Deck Flange & 1/2" NPT Male Inlets

**Product Compliance:**

ASME A112.18.1 / CSA B125.1  
NSF 61 - Section 9  
NSF 372 (Low Lead Content)  
EPA 2005 Non-Compliant (PRSV)



# T&S BRASS AND BRONZE WORKS, INC.

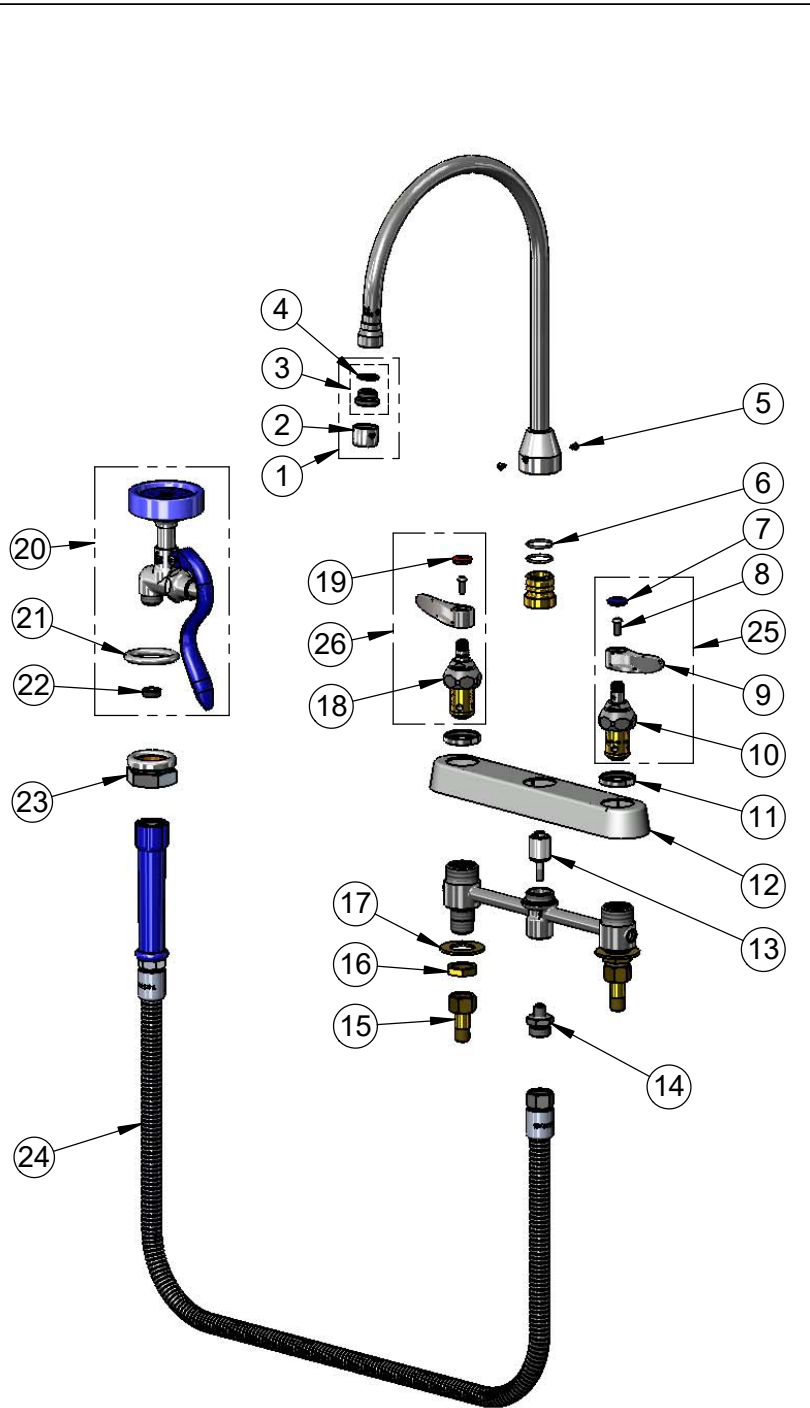
2 Saddleback Cove / P.O. Box 1088  
Travelers Rest, SC 29690

Model No.

**B-1172-96-135X**

Item No.

Travelers Rest, SC: 800-476-4103 • Simi Valley, CA: 800-423-0150 • Fax: 864-834-3518 • www.tsbrass.com



ITEM NO.	SALES NO.	DESCRIPTION
1	B-0199-02	2.2 GPM Aerator, 3/8" NPSM Male
2	B-0199-01	2.2 GPM Aerator, 55/64"-27 UN Female
3	044A	3/8" to Aerator Adapter
4	001043-45	Washer
5	001486-45	Diverter Cover Screw
6	006562-45	O-Ring
7	018506-19NS	Blue Button Index, Press-in
8	000925-45	Lab Handle Screw
9	001638-45NS	Lever Handle (New Style)
10	012442-40NS	Quarter-Turn Eterna Cartridge w/ Spring Check, LTC
11	019376-40	Escutcheon Lock Nut
12	019375-40	B-1120 Eterna Workboard Escutcheon
13	002338-45	Valve Diverter Piston
14	000542-25	1/8" NPT x 3/4-14 Male Adapter
15	150A	1/4" NPT Tailpiece & Nut
16	002954-45	Shank Lock Nut
17	000999-45	Brass Lock Washer
18	012443-40NS	Quarter-Turn Eterna Cartridge w/ Spring Check, RTC
19	001193-19NS	Red Button Index, Press-in
20	EB-0107	High Flow Spray valve (Blue)
21	000907-45	Spray Valve Hold Down Ring
22	010476-45	#27 Washer
23	B-KF	Protective Flange
24	EB-0096-H	96" Flexible Stainless Steel Hose w/ Blue Grip Handle
25	002711-40NS	Quarter-Turn Eterna Cartridge w/ Spring Check, Handle, Blue Index & Screw, LTC
26	002712-40NS	Quarter-Turn Eterna Cartridge w/ Spring Check, Handle, Red Index & Screw, RTC

**Product Specifications:**

8" Deck Mount Workboard Mixing Faucet, Quarter-Turn Eterna Cartridges w/ Spring Checks, Lever Handles, 8 13/16" Swivel Gooseneck, 2.2 GPM Aerator, 96" Flexible Stainless Steel Hose, High Flow Spray Valve, Deck Flange & 1/2" NPT Male Inlets

**Product Compliance:**

ASME A112.18.1 / CSA B125.1  
NSF 61 - Section 9  
NSF 372 (Low Lead Content)  
EPA Act 2005 Non-Compliant (PRSV)