



T&S BRASS AND BRONZE WORKS, INC.

2 Saddleback Cove / P.O. Box 1088
Travelers Rest, SC 29690

Model No.

B-1151

Item No.

Travelers Rest, SC: 800-476-4103 • Simi Valley, CA: 800-423-0150 • Fax: 864-834-3518 • www.tsbrass.com

This Space for Architect/Engineer Approval

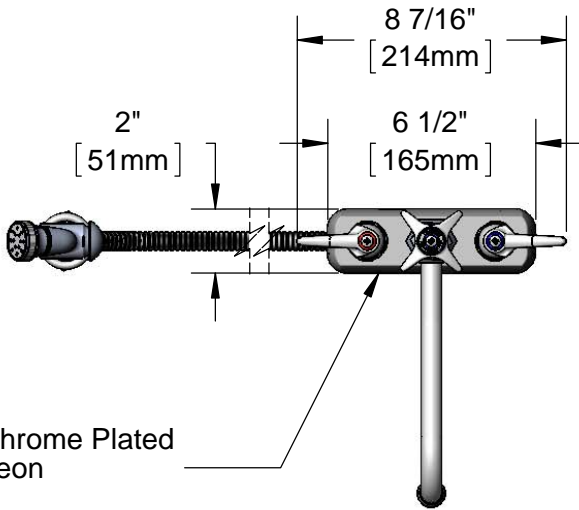
Job Name _____ Date _____

Model Specified _____ Quantity _____

Customer/Wholesaler _____

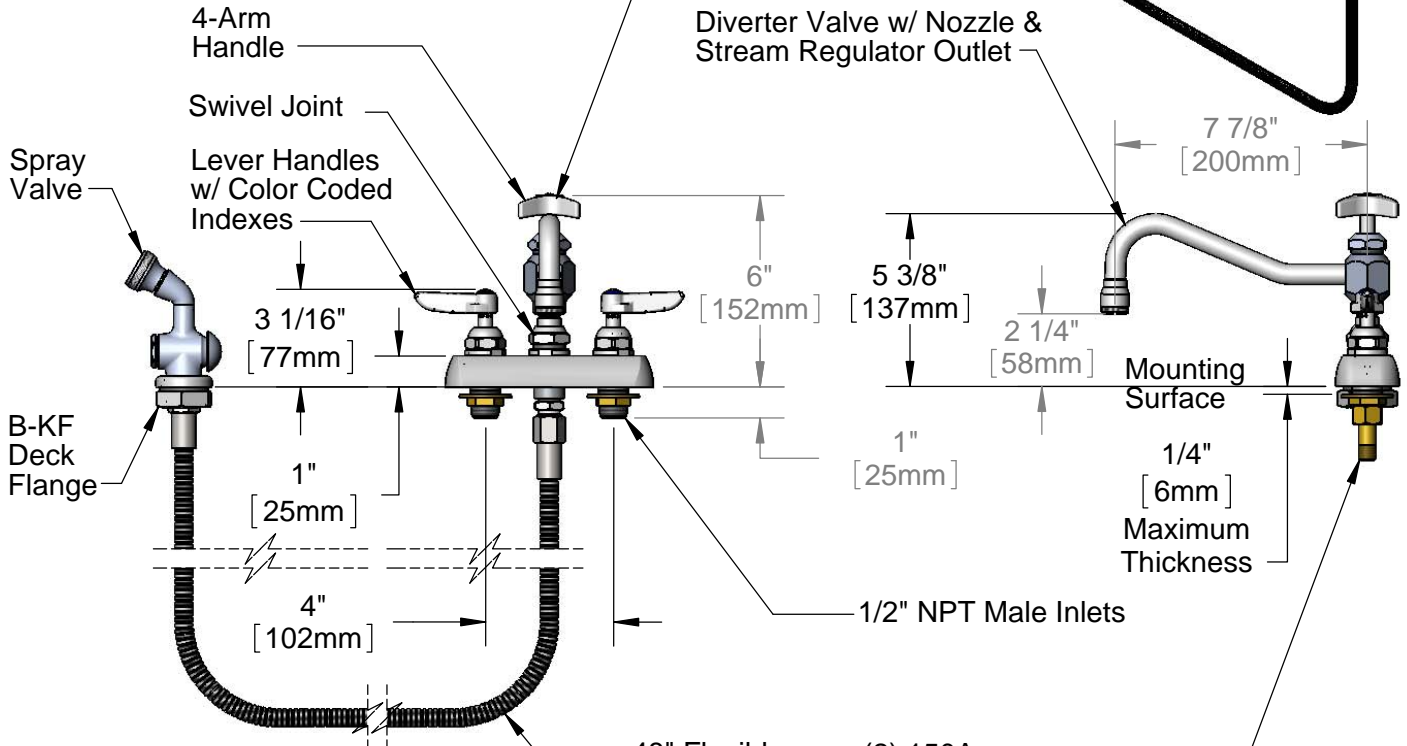
Contractor _____

Architect/Engineer _____



Polish Chrome Plated Escutcheon

Opening Faucet Pressurizes Hose. For Full Hose Pressure, Turn 4-Arm Handle Until It Pops Up, Stopping Water Flow Through Nozzle



Diverter Valve w/ Nozzle & Stream Regulator Outlet

Rough-In Requirement:
Faucet: (3) ϕ 1" [25mm] Mounting Holes
Deck Flange: (1) ϕ 1 9/16" [40mm] Mounting Hole

(2) 150A
Optional Tailpiece & Nut
for 1/4" NPT Connection
(Included)

Product Specifications:

4" Deck Mount Workboard Mixing Faucet, Lever Handles, 8" Swing Nozzle, 48" Flexible Stainless Steel Hose, Spray Valve, Deck Flange & 1/2" NPT Male Inlets

Product Compliance:

ASME A112.18.1 / CSA B125.1
NSF 61 - Section 9
NSF 372 (Low Lead Content)



T&S BRASS AND BRONZE WORKS, INC.

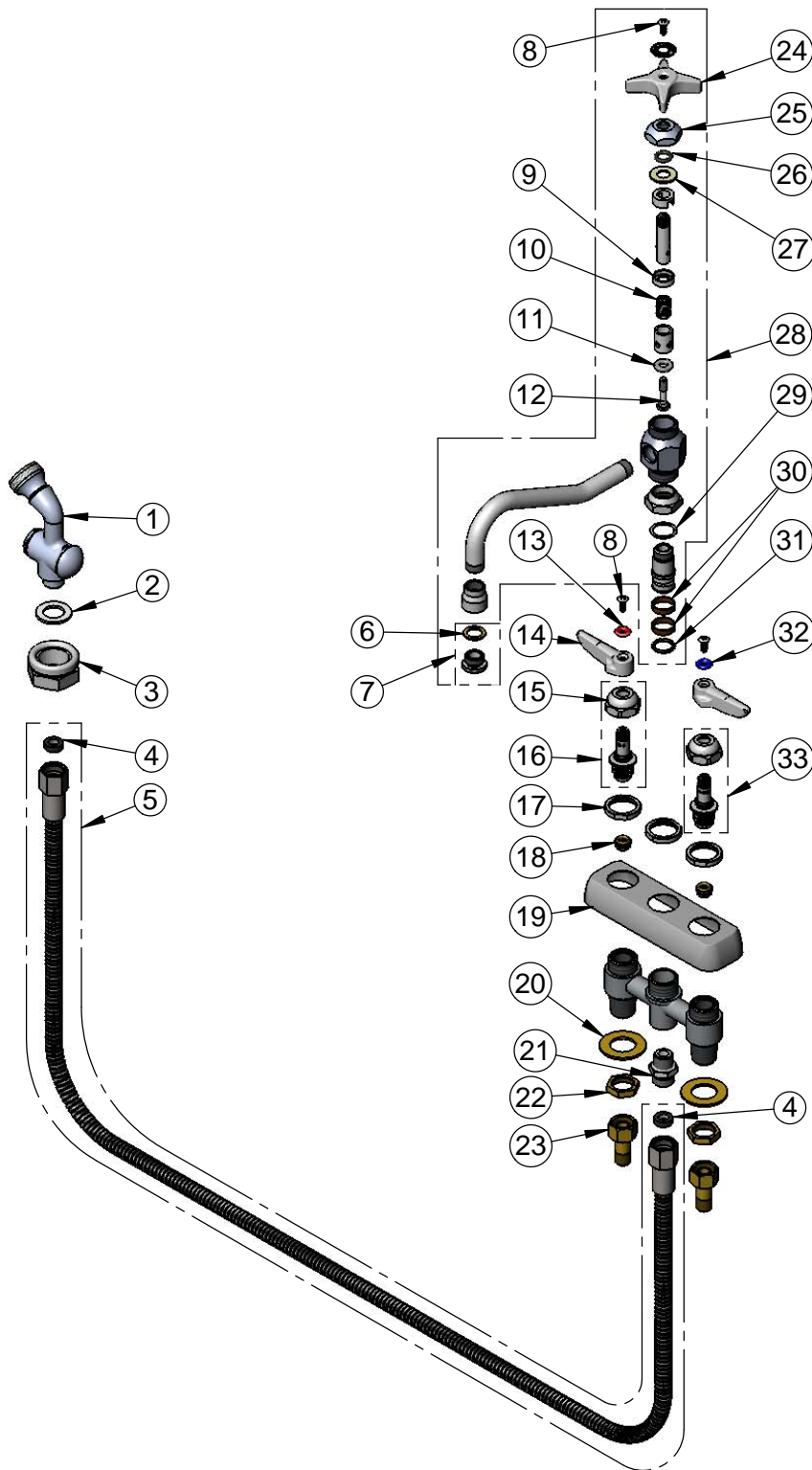
2 Saddleback Cove / P.O. Box 1088
Travelers Rest, SC 29690

Model No.

B-1151

Item No.

Travelers Rest, SC: 800-476-4103 • Simi Valley, CA: 800-423-0150 • Fax: 864-834-3518 • www.tsbrass.com



ITEM NO.	SALES NO.	DESCRIPTION
1	002857-40	Spray Valve Assembly
2	001010-40	Washer, Stainless Steel
3	B-KF	Protective Flange
4	010476-45	#27 Washer
5	013E-48H	48" Flexible Stainless Steel Hose
6	001043-45	Washer
7	B-LT	Stream Regulator Outlet
8	000922-45	Lever Handle Screw
9	000875-20	Washer
10	000893-45	Spring
11	001084-45	Seat Washer
12	000832-20	Stem Diverter Bottom
13	001661-45	Red Index-HW
14	001638-45	Lever Handle
15	009749-25	Bonnet Nut
16	009753-25	B-1100 Spindle, RTC
17	000712-25	Escutcheon Lock Nut
18	000763-20	Seat
19	001258-40	Escutcheon
20	000999-45	Brass Lock Washer
21	053A	Adapter, 3/8" NPT Male
22	002954-45	Shank Lock Nut
23	150A	1/4" NPT Tailpiece & Nut
24	002521-45	4-Arm Handle
25	000881-40	Bonnet Nut
26	001075-45	O-ring, Nitrile -111
27	001047-45	Washer, Santoprene
28	002878-40	Diverter Valve w/ Nozzle & Stream Regulator Outlet
29	009E	Plastic Washer
30	011429-45	Swivel Sleeves (2)
31	001074-45	O-Ring
32	001660-45	Blue Index-CW
33	009754-25	B-1100 Spindle, LTC

Product Specifications:

4" Deck Mount Workboard Mixing Faucet, Lever Handles, 8" Swing Nozzle, 48" Flexible Stainless Steel Hose, Spray Valve, Deck Flange & 1/2" NPT Male Inlets

Product Compliance:

ASME A112.18.1 / CSA B125.1
NSF 61 - Section 9
NSF 372 (Low Lead Content)