



T&S BRASS AND BRONZE WORKS, INC.
 2 Saddleback Cove / P.O. Box 1088
 Travelers Rest, SC 29690

Model No.
B-1105-LN

Item No.

Travelers Rest, SC: 800-476-4103 • Simi Valley, CA: 800-423-0150 • Fax: 864-834-3518 • www.tsbrass.com

This Space for Architect/Engineer Approval

Job Name _____ Date _____

Model Specified _____ Quantity _____

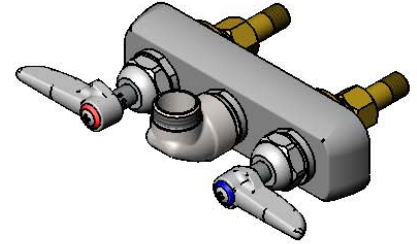
Customer/Wholesaler _____

Contractor _____

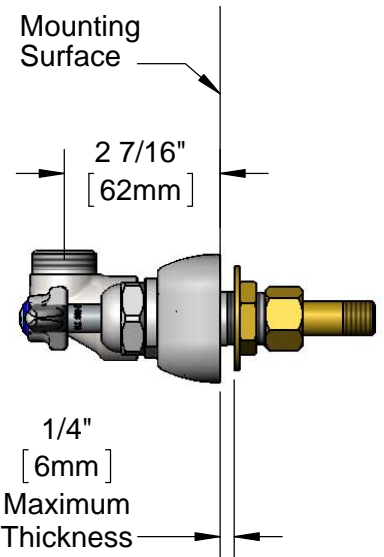
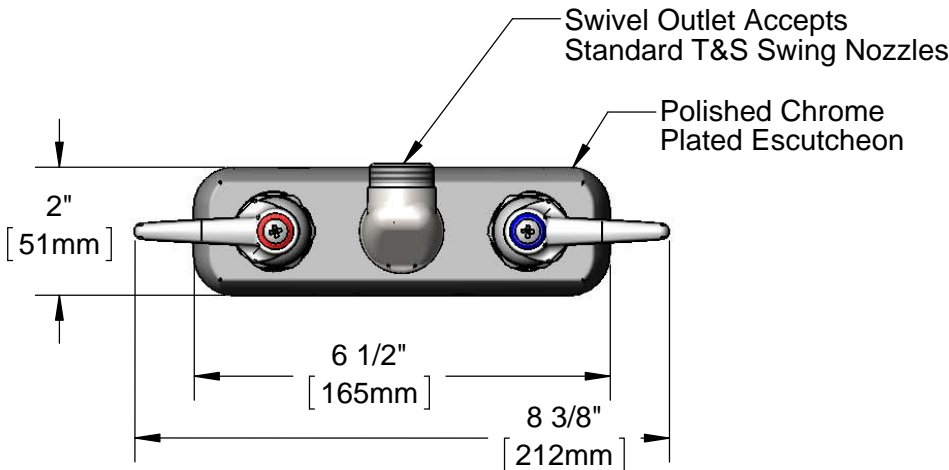
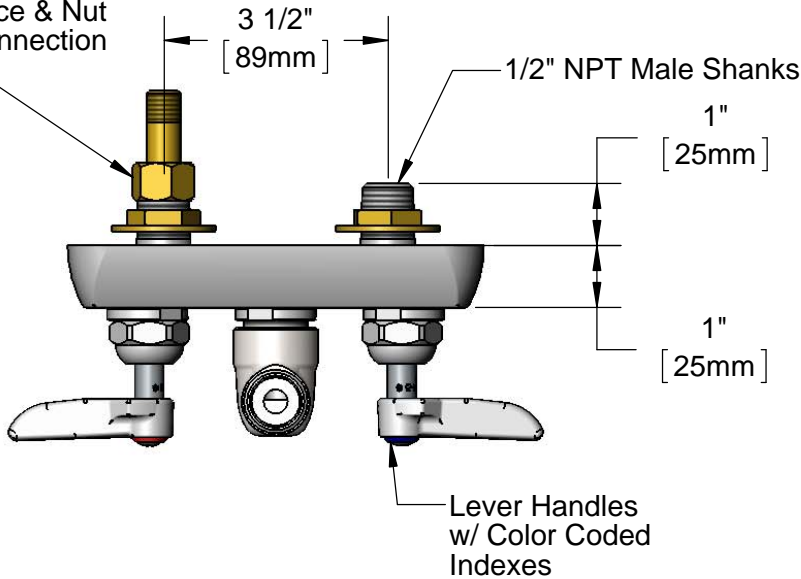
Architect/Engineer _____



ADA Compliant



(2) 150A
 Optional Tailpiece & Nut
 for 1/4" NPT Connection
 (Included)



Rough-In Requirement:
 (2) ϕ 1" [25mm] Mounting Holes

Product Specifications:
 3 1/2" Wall Mount Workboard Faucet Less Nozzle
 w/ Lever Handles & 1/2" NPT Male Inlets

Drawn KJG	Checked JRM	Approved JHB
Scale: 1:3		Date: 07/20/12



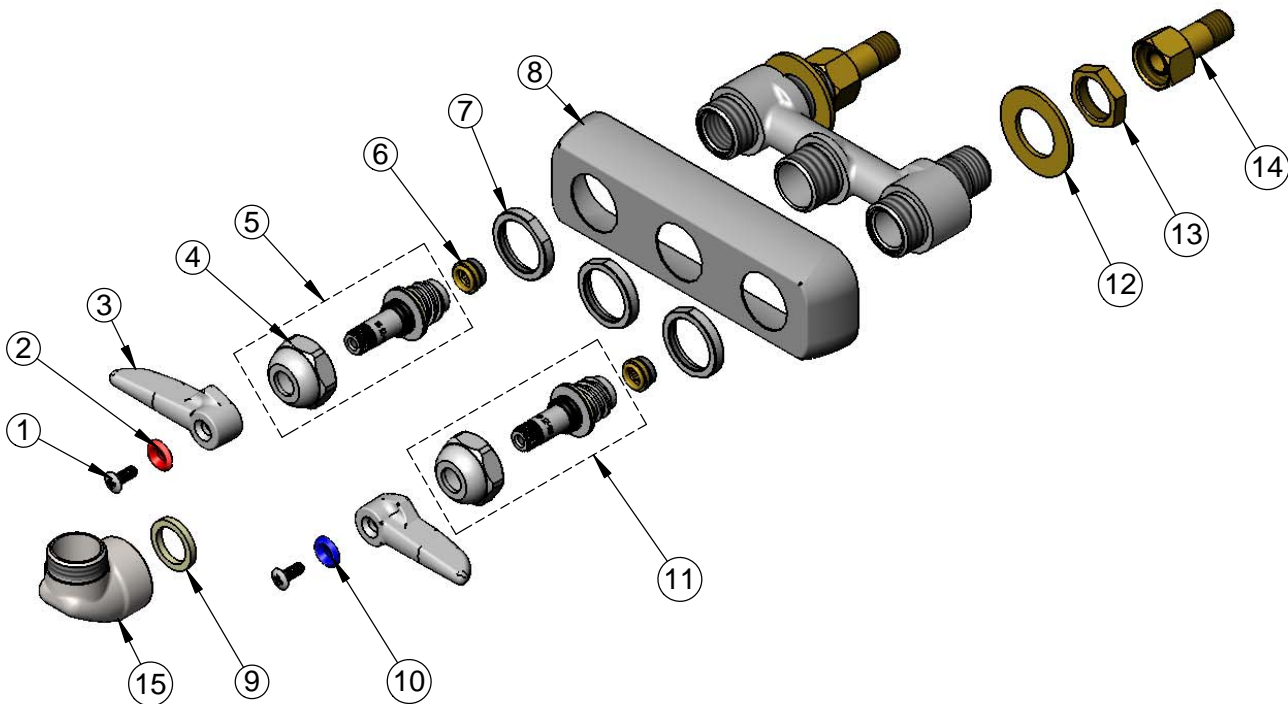
T&S BRASS AND BRONZE WORKS, INC.
 2 Saddleback Cove / P.O. Box 1088
 Travelers Rest, SC 29690

Model No.
B-1105-LN

Item No.

Travelers Rest, SC: 800-476-4103 • Simi Valley, CA: 800-423-0150 • Fax: 864-834-3518 • www.tsbrass.com

ITEM NO.	SALES NO.	DESCRIPTION
1	000922-45	Lever Handle Screw
2	001661-45	Red Index-HW
3	001638-45	Lever Handle
4	009749-25	Bonnet Nut
5	009754-25	B-1100 LH Spindle Assembly
6	000763-20	Seat
7	000712-25	Escutcheon Lock Nut
8	001258-40	Escutcheon
9	001017-45	Washer
10	001660-45	Blue Index-CW
11	009753-25	B-1100 RH Spindle Assembly
12	000999-45	Brass Lock Washer
13	002954-45	Shank Lock Nut
14	150A	1/4" NPT Tailpiece & Nut
15	000082-40	B-1100 Knob



Product Specifications:
 3 1/2" Wall Mount Workboard Faucet Less Nozzle
 w/ Lever Handles & 1/2" NPT Male Inlets

Drawn KJG	Checked JRM	Approved JHB
Scale: NTS		Date: 07/20/12