



T&S BRASS AND BRONZE WORKS, INC.

2 Saddleback Cove / P.O. Box 1088
Travelers Rest, SC 29690

Model No.

B-1025

Item No.

Travelers Rest, SC: 800-476-4103 • Simi Valley, CA: 800-423-0150 • Fax: 864-834-3518 • www.tsbrass.com



ADA Compliant

This Space for Architect/Engineer Approval

Job Name _____ Date _____

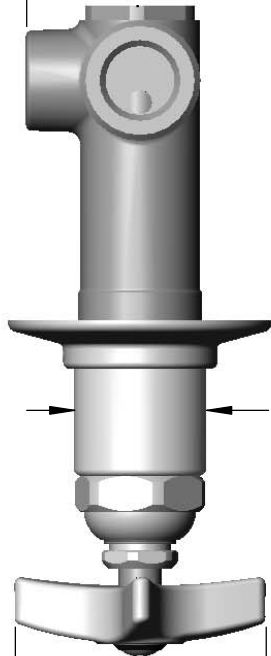
Model Specified _____ Quantity _____

Customer/Wholesaler _____

Contractor _____

Architect/Engineer _____

1 1/8"
[29mm]

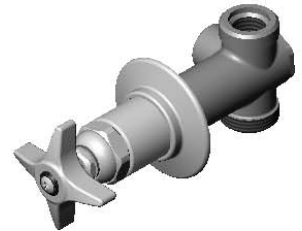


Ø 1 3/8"
[35mm]

2 5/8"
[66mm]



Eterna Cartridge &
4-Arm Handle w/
Blue (CW) Index



6"
[152mm]

Ø 2 3/16" [56mm]
Adjustable Flange
w/ Set Screw

1/2" NPT
Female Outlet

2 1/2"
[64mm]

1 1/4"
[32mm]

2 1/2"
[64mm]
Minimum

3 1/2"
[89mm]
Maximum

1/2" NPT Female Inlet.
Externally Threaded For
T&S Union Coupling Nut

Rough-In Requirement:
Ø 1 1/2" [38mm] Mounting Hole

Product Specifications:
Concealed Straight Valve w/ 4-Arm Handle, Blue (CW) Index,
1/2" Inlet & Outlet

Drawn

DHL

Checked

DMH

Approved

JHB

Scale:

1:2

Date:

11/02/12



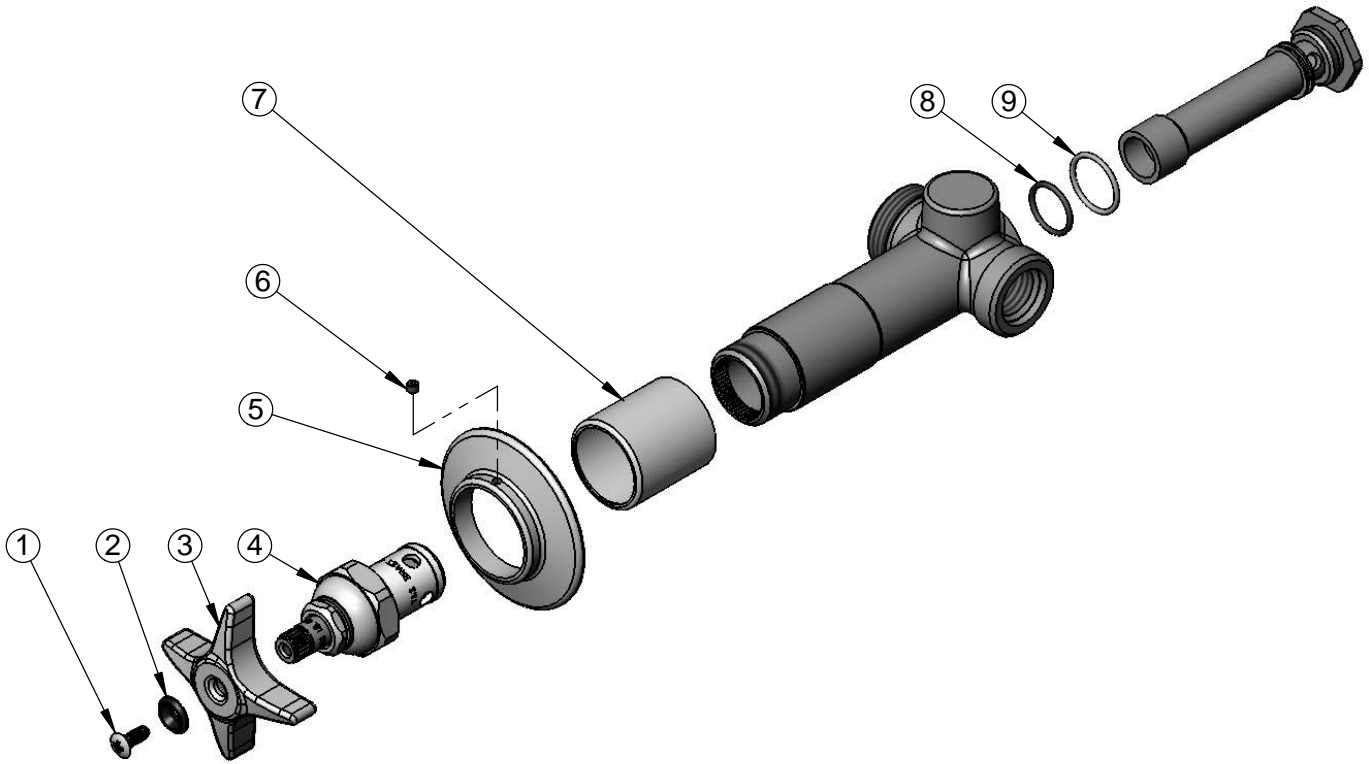
T&S BRASS AND BRONZE WORKS, INC.
 2 Saddleback Cove / P.O. Box 1088
 Travelers Rest, SC 29690

Model No.
B-1025

Item No.

Travelers Rest, SC: 800-476-4103 • Simi Valley, CA: 800-423-0150 • Fax: 864-834-3518 • www.tsbrass.com

ITEM NO.	SALES NO.	DESCRIPTION
1	000922-45	Lever Handle Screw
2	001660-45	Blue Index-CW
3	002521-45	4-Arm Handle
4	005960-40	Eterna Cartridge, RTC
5	001501-40	Escutcheon
6	000939-45	Escutcheon, Set Screw
7	151F	Escutcheon Tube
8	001062-45	O-Ring
9	001702-45	O-Ring



Product Specifications:
 Concealed Straight Valve w/ 4-Arm Handle, Blue (CW) Index,
 1/2" Inlet & Outlet

Drawn DHL	Checked DMH	Approved JHB
Scale: NTS		Date: 11/02/12