



T&S BRASS AND BRONZE WORKS, INC.

2 Saddleback Cove / P.O. Box 1088
Travelers Rest, SC 29690

Model No.

B-0890-CR-WS

Item No.

Travelers Rest, SC: 800-476-4103 • Simi Valley, CA: 800-423-0150 • Fax: 864-834-3518 • www.tsbrass.com



ADA Compliant



This Space for Architect/Engineer Approval

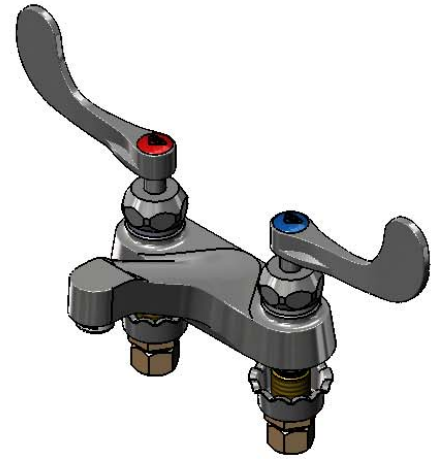
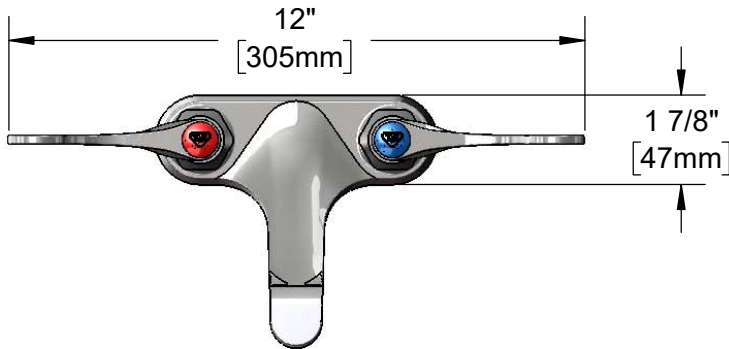
Job Name _____ Date _____

Model Specified _____ Quantity _____

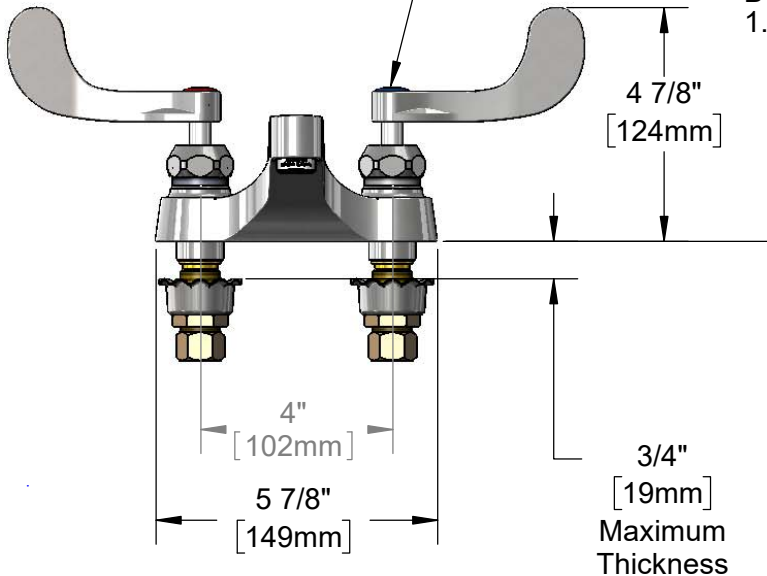
Customer/Wholesaler _____

Contractor _____

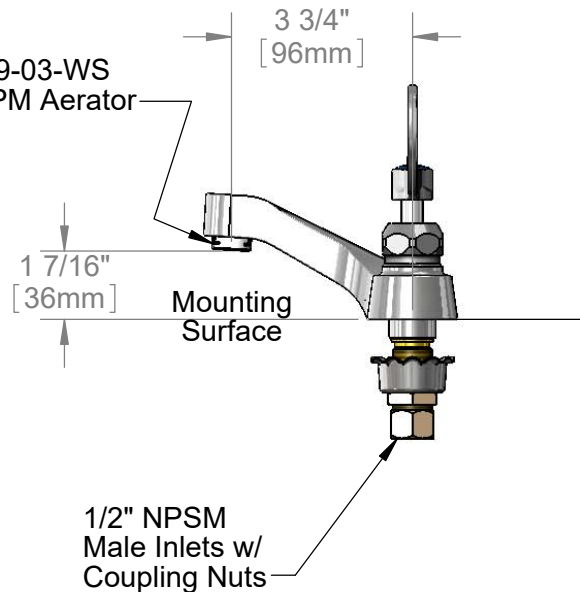
Architect/Engineer _____



Quarter-Turn Cerama Cartridges w/ Check Valves & 4" Wrist Action Handles w/ Color Coded Indexes



B-0199-03-WS
1.5 GPM Aerator



Rough-In Requirement:
(2) ϕ 1 1/8" [29mm] Mounting Holes

Product Specifications:

4" Centerset Deck Mount Faucet, Quarter-Turn Cerama Cartridges w/ Check Valves, 4" Wrist Action Handles, 1.5 GPM Aerator & 1/2" NPSM Male Inlets w/ Coupling Nuts

Product Compliance:

ASME A112.18.1 / CSA B125.1
NSF 61 - Section 9
NSF 372 (Low Lead Content)
ANSI A117.1 (ADA)
EPA WaterSense

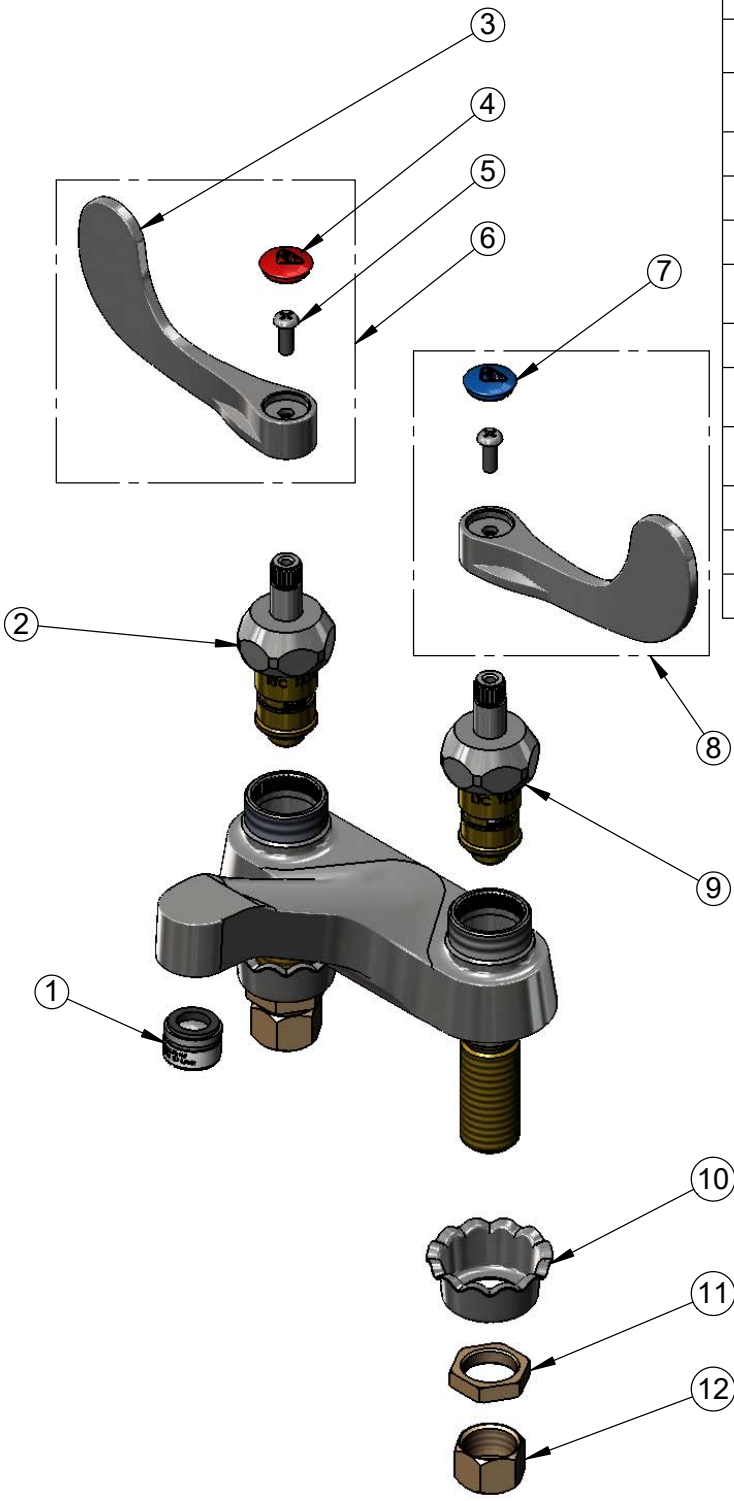


T&S BRASS AND BRONZE WORKS, INC.
 2 Saddleback Cove / P.O. Box 1088
 Travelers Rest, SC 29690

Model No.
B-0890-CR-WS
 Item No.

Travelers Rest, SC: 800-476-4103 • Simi Valley, CA: 800-423-0150 • Fax: 864-834-3518 • www.tsbrass.com

| ITEM NO. | SALES NO. | DESCRIPTION |
|----------|--------------|---|
| 1 | B-0199-03-WS | 1.5 GPM Aerator, 13/16-27 Male |
| 2 | 012394-25NS | Quarter-Turn Cerama Cartridge w/ Check Valve, RTC |
| 3 | B-WH4-NS | Wrist Action Handle (New Style) |
| 4 | 001193-19NS | Red Button Index, Press-in |
| 5 | 000925-45 | Lab Handle Screw |
| 6 | B-WH4H-NS | Wrist Action Handle, Red Index & Screw |
| 7 | 018506-19NS | Blue Button Index, Press-in |
| 8 | B-WH4C-NS | Wrist Action Handle, Blue Index & Screw |
| 9 | 012395-25NS | Quarter-Turn Cerama Cartridge w/ Check Valve, LTC |
| 10 | 001000-45 | Rosette Washer |
| 11 | 002954-45 | Shank Lock Nut |
| 12 | 000958-20 | Coupling Nut |



Product Specifications:
 4" Centerset Deck Mount Faucet, Quarter-Turn Cerama Cartridges w/ Check Valves, 4" Wrist Action Handles, 1.5 GPM Aerator & 1/2" NPSM Male Inlets w/ Coupling Nuts

Product Compliance:
 ASME A112.18.1 / CSA B125.1
 NSF 61 - Section 9
 NSF 372 (Low Lead Content)
 ANSI A117.1 (ADA)
 EPA WaterSense