



T&S BRASS AND BRONZE WORKS, INC.

2 Saddleback Cove / P.O. Box 1088
Travelers Rest, SC 29690

Model No.

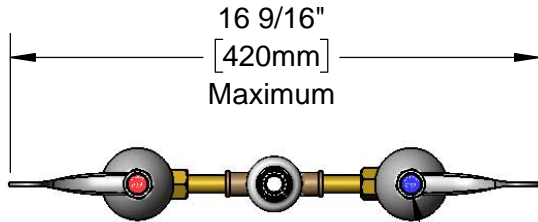
B-0866-04-LN

Item No.

Travelers Rest, SC: 800-476-4103 • Simi Valley, CA: 800-423-0150 • Fax: 864-834-3518 • www.tsbrass.com



ADA Compliant



Quarter-Turn Eterna Cartridge & 4" Wrist Action Handles w/ Color Coded Indexes

This Space for Architect/Engineer Approval

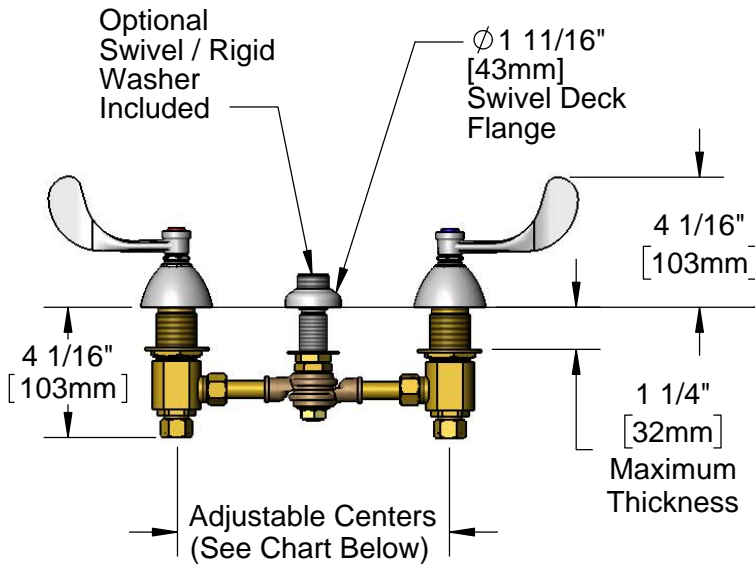
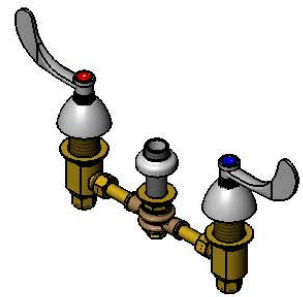
Job Name _____ Date _____

Model Specified _____ Quantity _____

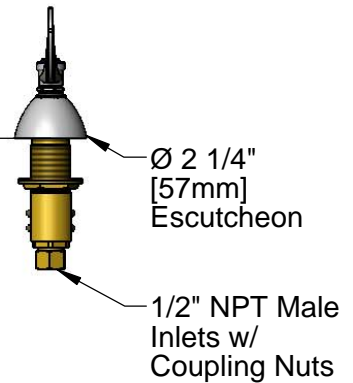
Customer/Wholesaler _____

Contractor _____

Architect/Engineer _____

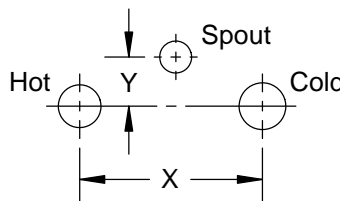


Mounting Surface



Rough-In Requirement:
Center Shank: $\phi 1"$ [25mm] Mounting Hole
Hot/Cold Bodies: $\phi 1 1/2"$ [38mm] Mounting Holes

Hot & Cold Center Sections Can be at Angle



if "Y" is Then Faucet Will Fit "X" with Standard 1/4" NPT Cross Pipes Furnished

1/2"	8"
1"	7 3/4"
1 1/2"	7 3/8"
2"	7"

Product Specifications:

8" Deck Mount Mixing Faucet, Eterna Cartridges, 4" Wrist Action Handles, Swivel Gooseneck w/ Rosespray Outlet & 1/2" NPT Male Inlets w/ Coupling Nuts

Product Compliance:

ASME A112.18.1 / CSA B125.1
NSF 61 - Section 9
NSF 372 (Low Lead Content)
ANSI A117.1 (ADA)



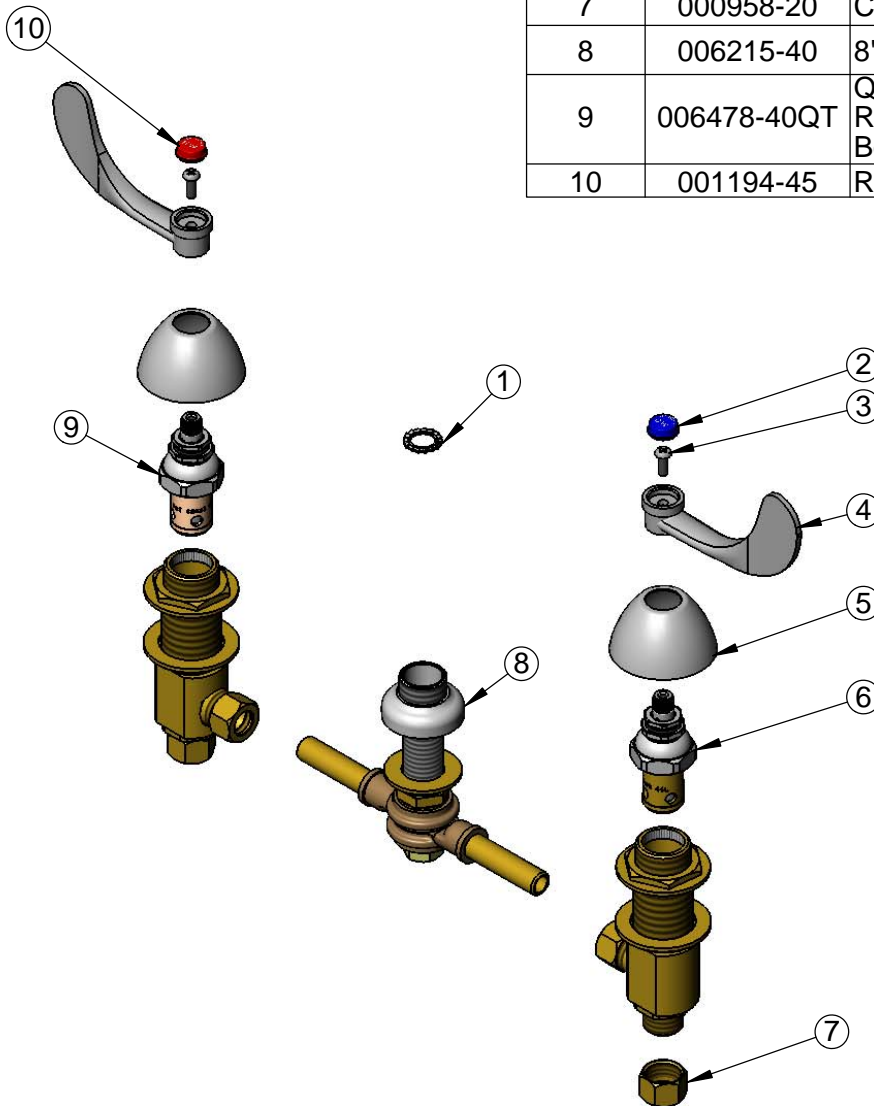
T&S BRASS AND BRONZE WORKS, INC.
 2 Saddleback Cove / P.O. Box 1088
 Travelers Rest, SC 29690

Model No.
B-0866-04-LN

Item No.

Travelers Rest, SC: 800-476-4103 • Simi Valley, CA: 800-423-0150 • Fax: 864-834-3518 • www.tsbrass.com

ITEM NO.	SALES NO.	DESCRIPTION
1	014200-45	Star Washer, Anti-Rotation
2	001686-45	Blue Index - CW
3	000925-45	Lab Handle Screw
4	B-WH4	4" Wrist Action Handle
5	001257-40	Bell Escutcheon
6	006477-40QT	Quarter-Turn Eterna Cartridge, LTC (Teflon) w/ Escutcheon Bonnet
7	000958-20	Coupling Nut
8	006215-40	8" Swivel Gooseneck Swivel Yoke
9	006478-40QT	Quarter-Turn Eterna Cartridge, RTC (Teflon) w/ Escutcheon Bonnet
10	001194-45	Red Index - HW



Product Specifications:
 8" Deck Mount Mixing Faucet, Eterna Cartridges, 4" Wrist Action Handles, Swivel Gooseneck w/ Rosespray Outlet & 1/2" NPT Male Inlets w/ Coupling Nuts

Product Compliance:
 ASME A112.18.1 / CSA B125.1
 NSF 61 - Section 9
 NSF 372 (Low Lead Content)
 ANSI A117.1 (ADA)