



# T&S BRASS AND BRONZE WORKS, INC.

2 Saddleback Cove / P.O. Box 1088  
Travelers Rest, SC 29690

Model No.

**B-0865**

Item No.

Travelers Rest, SC: 800-476-4103 • Simi Valley, CA: 800-423-0150 • Fax: 864-834-3518 • www.tsbrass.com



**ADA Compliant**

This Space for Architect/Engineer Approval

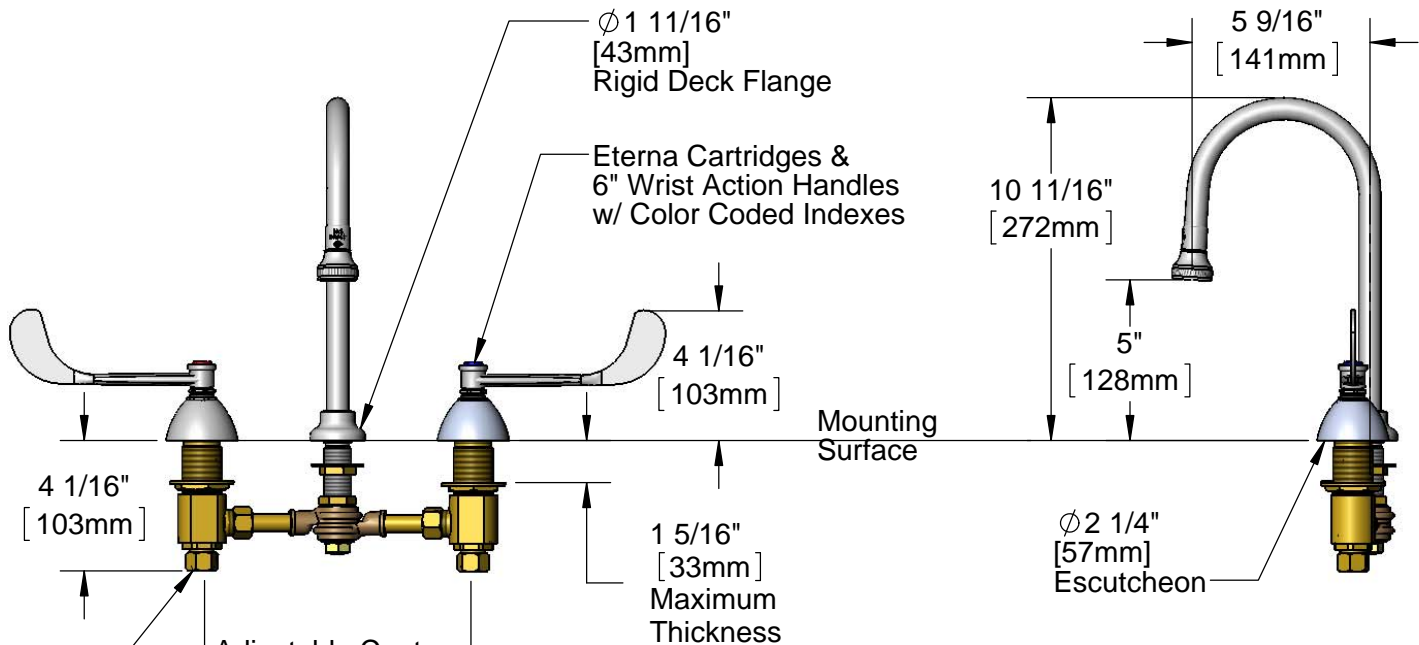
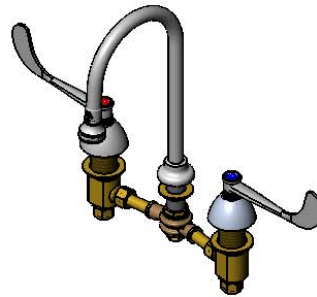
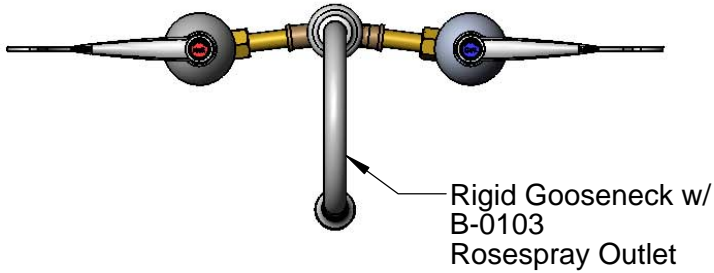
Job Name \_\_\_\_\_ Date \_\_\_\_\_

Model Specified \_\_\_\_\_ Quantity \_\_\_\_\_

Customer/Wholesaler \_\_\_\_\_

Contractor \_\_\_\_\_

Architect/Engineer \_\_\_\_\_



**Rough-In Requirement:**  
 Center Shank:  $\phi 1$ " [ $\phi 25$ mm] Mounting Hole  
 Hot/Cold Bodies:  $\phi 1 \frac{1}{2}$ " [ $\phi 38$ mm] Mounting Holes

Hot & Cold Center Sections Can be at Angle	if "Y" is	Then Faucet Will Fit "X" with Standard 1/4" NPT Cross Pipes Furnished
	1/2"	8"
	1"	7 3/4"
	1 1/2"	7 3/8"
	2"	7"

**Product Specifications:**  
 8" Adjustable Centers Deck Mount Mixing Faucet, Eterna Cartridges, 6" Wrist Action Handles, Rigid Gooseneck w/ Rosespray Outlet & 1/2" NPT Male Inlets w/ Coupling Nuts

**Product Compliance:**  
 ASME A112.18.1 / CSA B125.1  
 NSF 61 - Section 9  
 NSF 372 (Low Lead Content)  
 ANSI A117.1 (ADA)



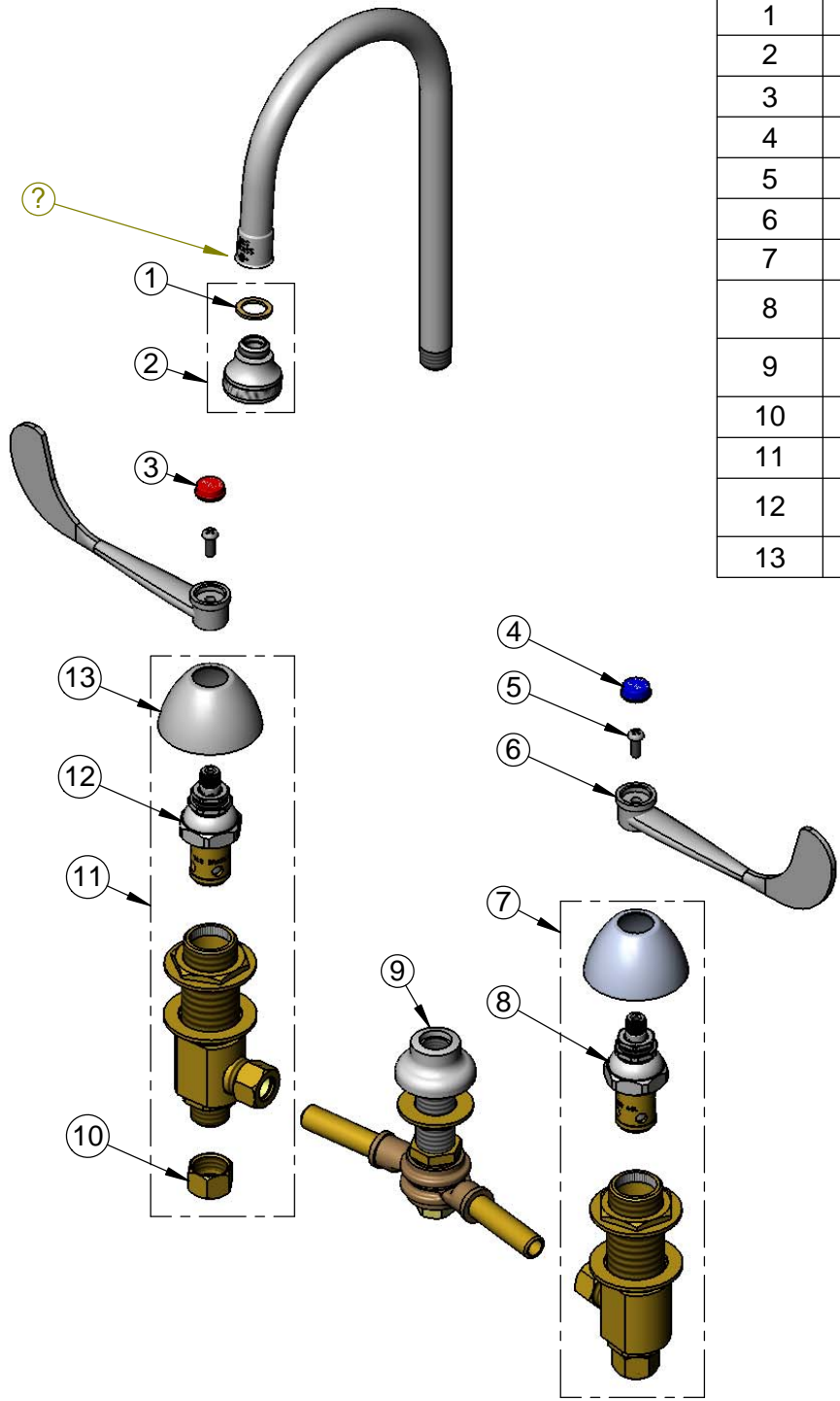
**T&S BRASS AND BRONZE WORKS, INC.**  
 2 Saddleback Cove / P.O. Box 1088  
 Travelers Rest, SC 29690

Model No.  
**B-0865**

Item No.

Travelers Rest, SC: 800-476-4103 • Simi Valley, CA: 800-423-0150 • Fax: 864-834-3518 • www.tsbrass.com

ITEM NO.	SALES NO.	DESCRIPTION
1	001043-45	Washer
2	B-0103	Rosespray Outlet
3	001194-45	Red Index-HW
4	001686-45	Blue Index-CW
5	000925-45	Lab Handle Screw
6	B-WH6	6" Wrist Action Handle
7	161A	B-0850 Side Body - Cold
8	006477-40	Eterna Cartridge, LTC (Teflon) w/ Escutcheon Bonnet
9	005973-40	8" Swivel Yoke w/ Rigid Flange Outlet
10	000958-20	Coupling Nut
11	162A	B-0850 Side Body - Hot
12	006478-40	Eterna Cartridge, RTC (Teflon) w/ Escutcheon Bonnet
13	001257-40	Bell Escutcheon



**Product Specifications:**  
 8" Adjustable Centers Deck Mount Mixing Faucet, Eterna Cartridges,  
 6" Wrist Action Handles, Rigid Gooseneck w/ Rosespray Outlet &  
 1/2" NPT Male Inlets w/ Coupling Nuts

**Product Compliance:**  
 ASME A112.18.1 / CSA B125.1  
 NSF 61 - Section 9  
 NSF 372 (Low Lead Content)  
 ANSI A117.1 (ADA)