



**T&S BRASS AND BRONZE WORKS, INC.**  
 2 Saddleback Cove / P.O. Box 1088  
 Travelers Rest, SC 29690

Model No.  
**B-0840**

Item No.

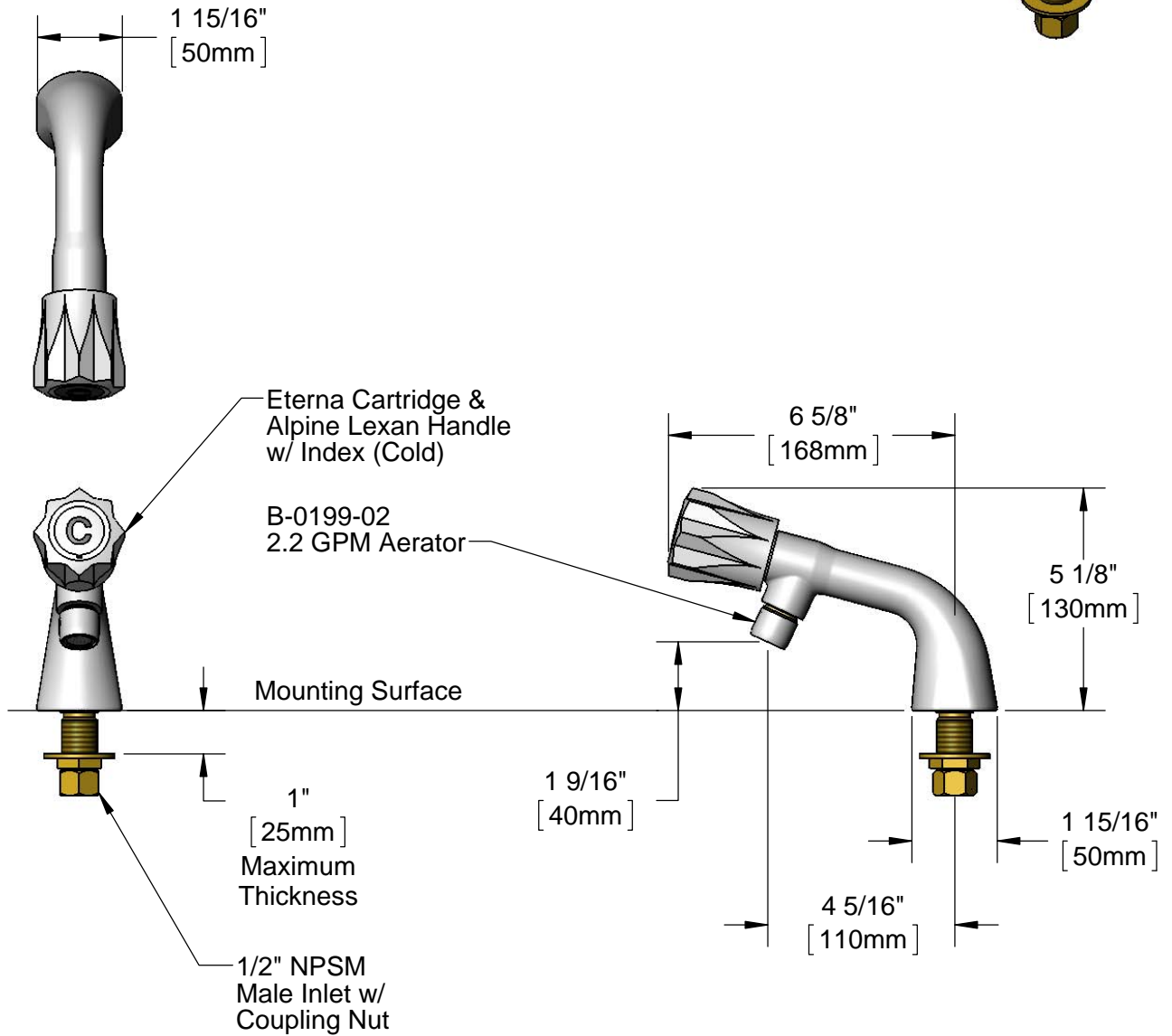
Travelers Rest, SC: 800-476-4103 • Simi Valley, CA: 800-423-0150 • Fax: 864-834-3518 • www.tsbrass.com

This Space for Architect/Engineer Approval

Job Name \_\_\_\_\_ Date \_\_\_\_\_  
 Model Specified \_\_\_\_\_ Quantity \_\_\_\_\_  
 Customer/Wholesaler \_\_\_\_\_  
 Contractor \_\_\_\_\_  
 Architect/Engineer \_\_\_\_\_



**ADA Compliant**



Rough-In Requirement:  
 $\phi$  1" [25mm] Mounting Hole

Product Specifications:  
 Single Temperature Deck Mount Faucet, Eterna Cartridge,  
 2.2 GPM Aerator & 1/2" NPSM Male Inlet

Drawn <b>KJG</b>	Checked <b>DHL</b>	Approved <b>JHB</b>
Scale: <b>1:4</b>		Date: <b>03/18/13</b>



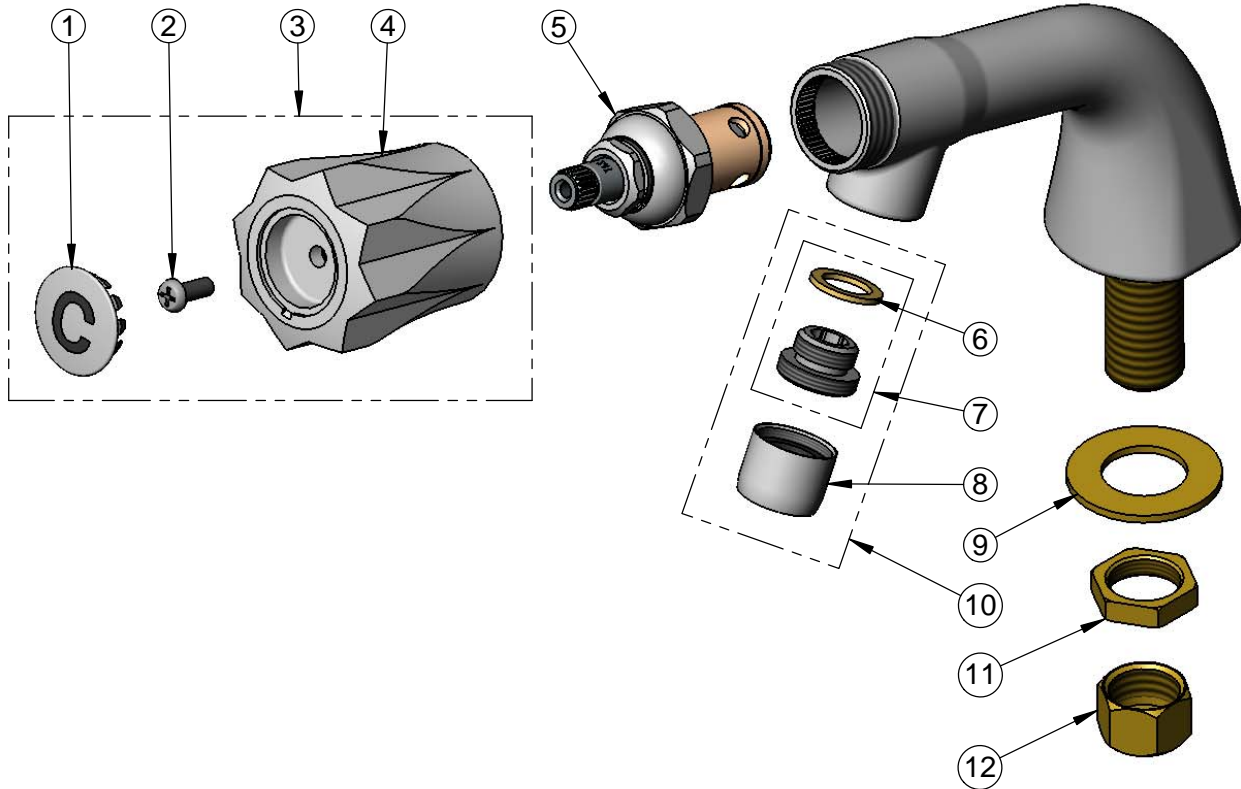
**T&S BRASS AND BRONZE WORKS, INC.**  
 2 Saddleback Cove / P.O. Box 1088  
 Travelers Rest, SC 29690

Model No.  
**B-0840**

Item No.

Travelers Rest, SC: 800-476-4103 • Simi Valley, CA: 800-423-0150 • Fax: 864-834-3518 • www.tsbrass.com

ITEM NO.	SALES NO.	DESCRIPTION
1	001327-40	Cold Index Button
2	000925-45	Lab Handle Screw
3	076F-C	Alpine Lexan Handle w/ Screw & Cold Index
4	076F	Knob Handle
5	005960-40	Eterna Cartridge, RTC
6	001043-45	Washer
7	044A	3/8" to Aerator Adapter
8	B-0199-01	2.2 GPM Aerator, 55/64"-27UN Female
9	000999-45	Brass Lock Washer
10	B-0199-02	2.2 GPM Aerator, 3/8" NPSM Male
11	002954-45	Shank Lock Nut
12	000958-20	Coupling Nut



Product Specifications:  
 Single Temperature Deck Mount Faucet, Eterna Cartridge,  
 2.2 GPM Aerator & 1/2" NPSM Male Inlet

Drawn <b>KJG</b>	Checked <b>DHL</b>	Approved <b>JHB</b>
Scale: <b>NTS</b>		Date: <b>03/18/13</b>