



T&S BRASS AND BRONZE WORKS, INC.
 2 Saddleback Cove / P.O. Box 1088
 Travelers Rest, SC 29690

Model No.
B-0831-VR

Item No.

Travelers Rest, SC: 800-476-4103 • Simi Valley, CA: 800-423-0150 • Fax: 864-834-3518 • www.tsbrass.com



ADA Compliant

This Space for Architect/Engineer Approval

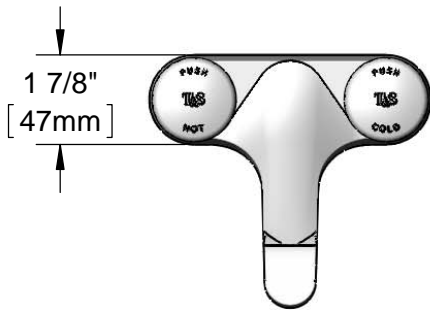
Job Name _____ Date _____

Model Specified _____ Quantity _____

Customer/Wholesaler _____

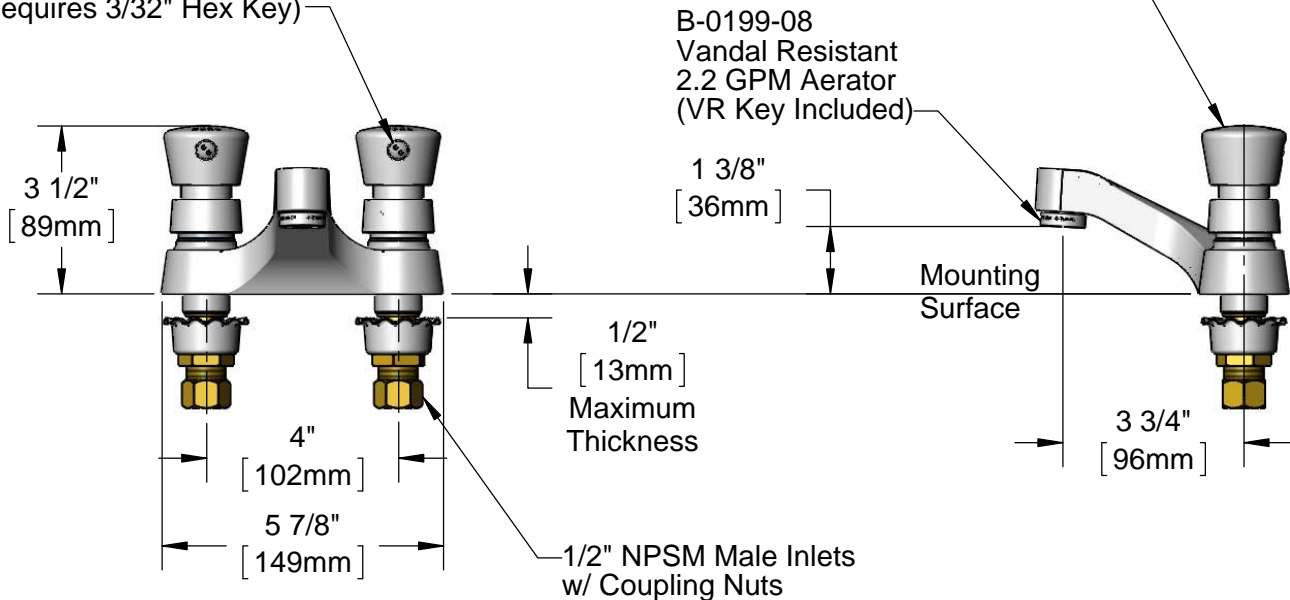
Contractor _____

Architect/Engineer _____



Vandal Resistant Screw.
 Loosen Screw (Do Not Remove)
 and Pull Off Push Button Asm to
 Access Metering Adjustment.
 (Metering Adjustment
 Requires 3/32" Hex Key)

238AH (Hot Side)
 238AC (Cold Side)
 Push Button Metering Cartridges
 w/ Hot & Cold Handles &
 Vandal Resistant Screws
 (Spanner Bit Included)



Rough-In Requirement
 (2) ϕ 1 1/8" [ϕ 30mm] Holes

Product Specifications:
 4" Centerset Metering & Mixing Faucet w/ Push Button Metering
 Cartridges & Vandal Resistant 2.2 GPM Aerator

Product Compliance:
 ASME A112.18.1 / CSA B125.1
 NSF 61 - Section 9
 NSF 372 (Low Lead Content)
 ANSI A117.1 (ADA)



T&S BRASS AND BRONZE WORKS, INC.

2 Saddleback Cove / P.O. Box 1088
Travelers Rest, SC 29690

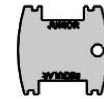
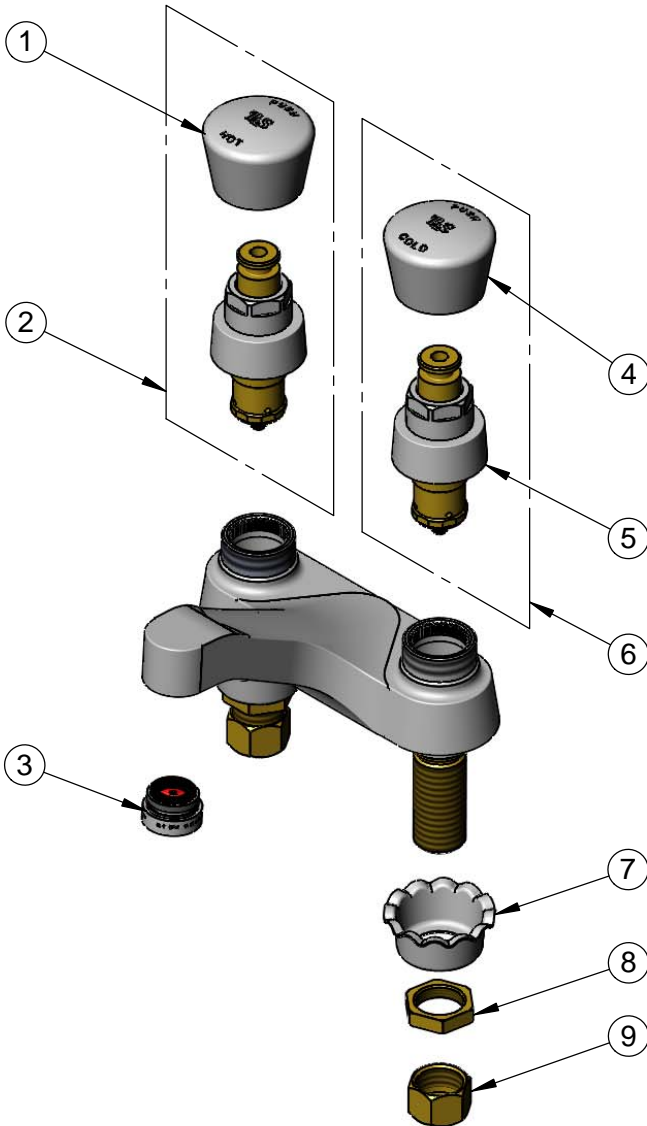
Model No.

B-0831-VR

Item No.

Travelers Rest, SC: 800-476-4103 • Simi Valley, CA: 800-423-0150 • Fax: 864-834-3518 • www.tsbrass.com

ITEM NO.	SALES NO.	DESCRIPTION
1	014194-40	Hot Push Button Cap Asm.
2	238AH	Push Button Metering Cartridge w/ Hot Push Button Asm & Spanner Bit
3	B-0199-08	VR 2.2 GPM Aerator, 13/16-27 UN Male w/ Key
4	014195-40	Cold Push Button Cap Asm.
5	238A	Push Button Metering Cartridge
6	238AC	Push Button Metering Cartridge w/ Cold Push Button Asm & Spanner Bit
7	001000-45	Rosette Washer
8	002954-45	Shank Lock Nut
9	000958-20	Coupling Nut



015425-45
Installation Key for
Vandal Resistant Aerator



014734-45
Spanner Bit for
Vandal Resistant Screw

Product Specifications:

4" Centerset Metering & Mixing Faucet w/ Push Button Metering Cartridges & Vandal Resistant 2.2 GPM Aerator

Product Compliance:

ASME A112.18.1 / CSA B125.1
NSF 61 - Section 9
NSF 372 (Low Lead Content)
ANSI A117.1 (ADA)