



# T&S BRASS AND BRONZE WORKS, INC.

2 Saddleback Cove / P.O. Box 1088  
Travelers Rest, SC 29690

Model No.

**B-0807**

Item No.

Travelers Rest, SC: 800-476-4103 • Simi Valley, CA: 800-423-0150 • Fax: 864-834-3518 • www.tsbrass.com

This Space for Architect/Engineer Approval

Job Name \_\_\_\_\_ Date \_\_\_\_\_

Model Specified \_\_\_\_\_ Quantity \_\_\_\_\_

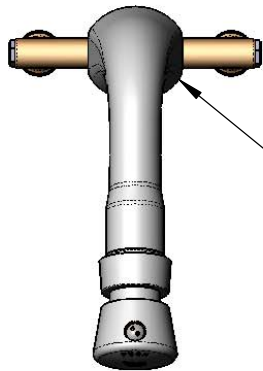
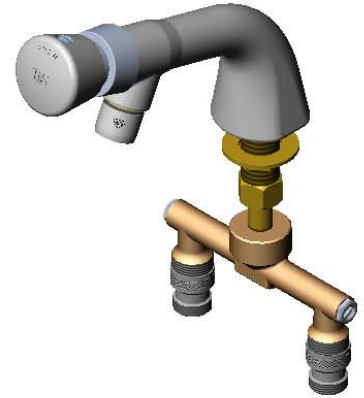
Customer/Wholesaler \_\_\_\_\_

Contractor \_\_\_\_\_

Architect/Engineer \_\_\_\_\_



**ADA Compliant**



Ø 2"  
[51mm]  
Base

Push Button Metering  
Cartridge w/ Push Button  
Cap

2.2 GPM Aerator

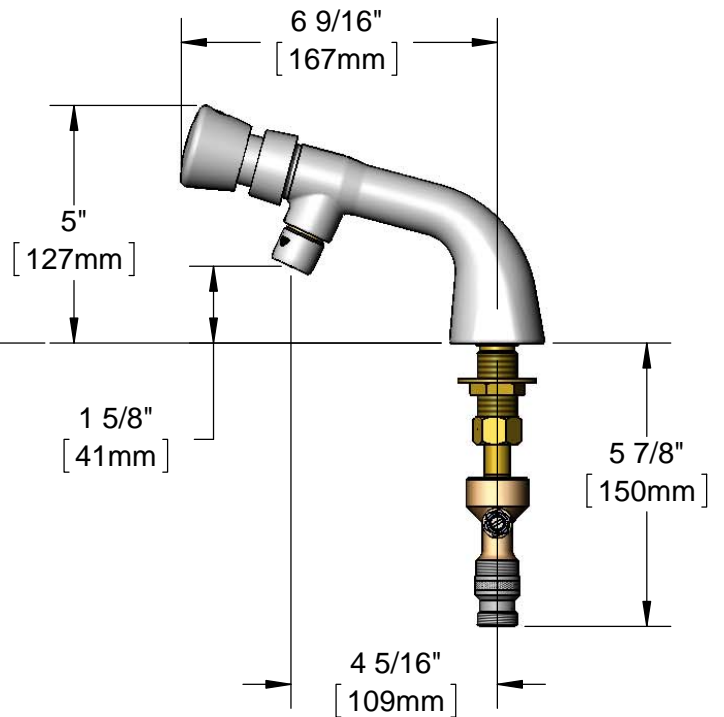
Mounting Surface

1 1/4"  
[32mm]  
Maximum  
Thickness

B-0173  
Spreader Assembly  
w/ Volume Controls

Check Valves w/  
1/2" BSP Male  
Threads

4"  
[102mm]



Spanner Bit Included  
for Vandal Resistant  
Screw

Rough-in Requirement:  
Ø 1" [25mm] Mounting Hole

Product Specifications:  
Single Temperature Deck Mount Faucet w/ Undercounter  
Spreader Assembly, Check Valves, Push Button Metering  
Cartridge, 2.2 GPM Aerator

Drawn  
**KJG**

Checked  
**GEF**

Approved  
**JHB**

Scale:  
**1:4**

Date:  
**05/22/12**



# T&S BRASS AND BRONZE WORKS, INC.

2 Saddleback Cove / P.O. Box 1088

Travelers Rest, SC 29690

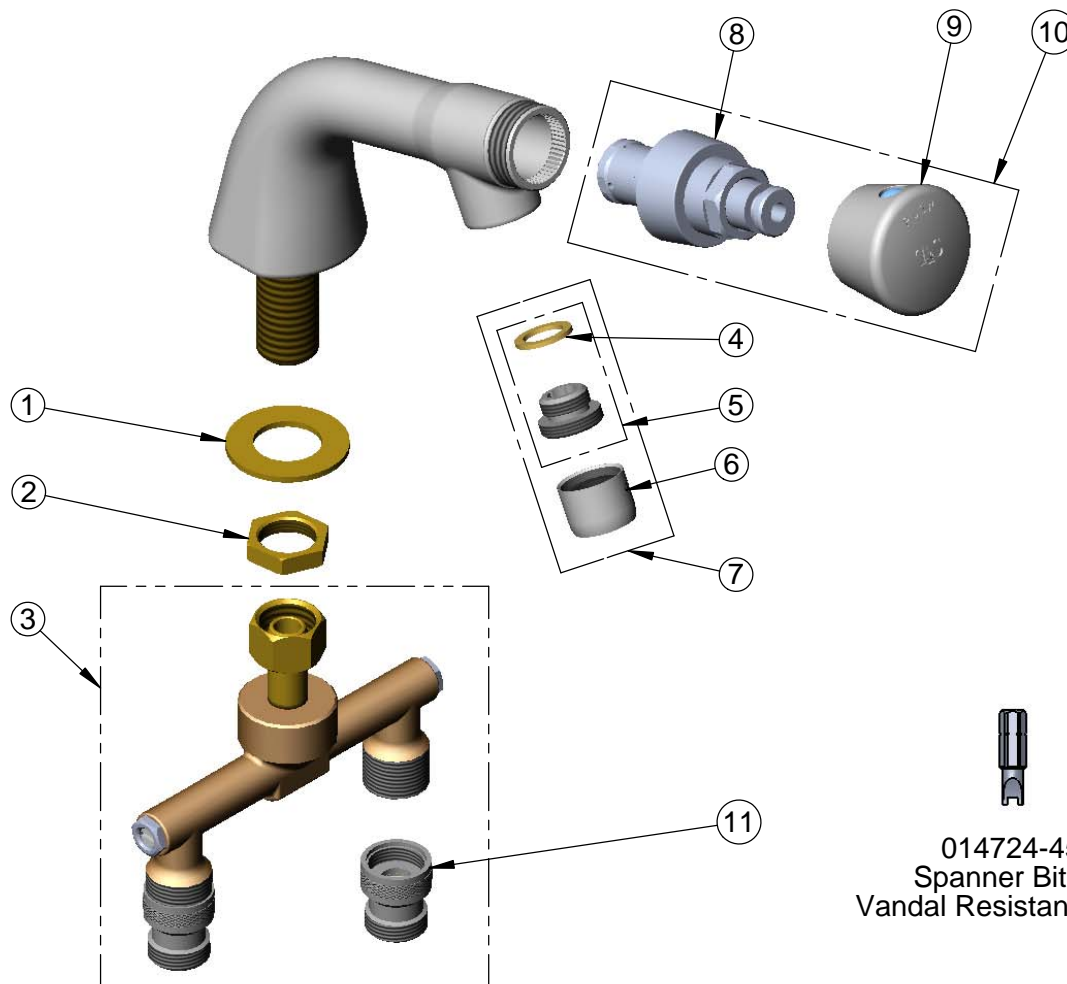
Model No.

**B-0807**

Item No.

Travelers Rest, SC: 800-476-4103 • Simi Valley, CA: 800-423-0150 • Fax: 864-834-3518 • www.tsbrass.com

ITEM NO.	SALES NO.	DESCRIPTION
1	000999-45	Brass Lock Washer
2	002954-45	Shank Lock Nut
3	002899-40	4" Spreader Unit
4	001043-45	Washer
5	044A	3/8" to Aerator Adapter
6	B-0199-01	2.2 GPM Aerator, Female
7	B-0199-02	2.2 GPM Aerator, 3/8" NPSM
8	238A	Push Button Metering Cartridge
9	014193-40	Blank Push Cap Asm
10	238AB	Push Button Metering Cartridge w/ Push Button Cap
11	010321-45	Check Valve Assembly



014724-45  
Spanner Bit for  
Vandal Resistant Screw

**Product Specifications:**

Single Temperature Deck Mount Faucet w/ Undercounter Spreader Assembly, Check Valves, Push Button Metering Cartridge, 2.2 GPM Aerator

Drawn

**KJG**

Checked

**GEF**

Approved

**JHB**

Scale:

**NTS**

Date:

**05/22/12**