



# T&S BRASS AND BRONZE WORKS, INC.

2 Saddleback Cove / P.O. Box 1088  
Travelers Rest, SC 29690



REG. #A2601  
ISO #9001

Model No.

**B-0800**

Item No.

Travelers Rest, SC: 800-476-4103 Simi Valley, CA: 800-423-0150 Fax: 864-834-3518 www.tsbrass.com

This Space for Architect/Engineer Approval

Job Name \_\_\_\_\_ Date \_\_\_\_\_

Model Specified \_\_\_\_\_ Quantity \_\_\_\_\_

Customer/Wholesaler \_\_\_\_\_

Contractor \_\_\_\_\_

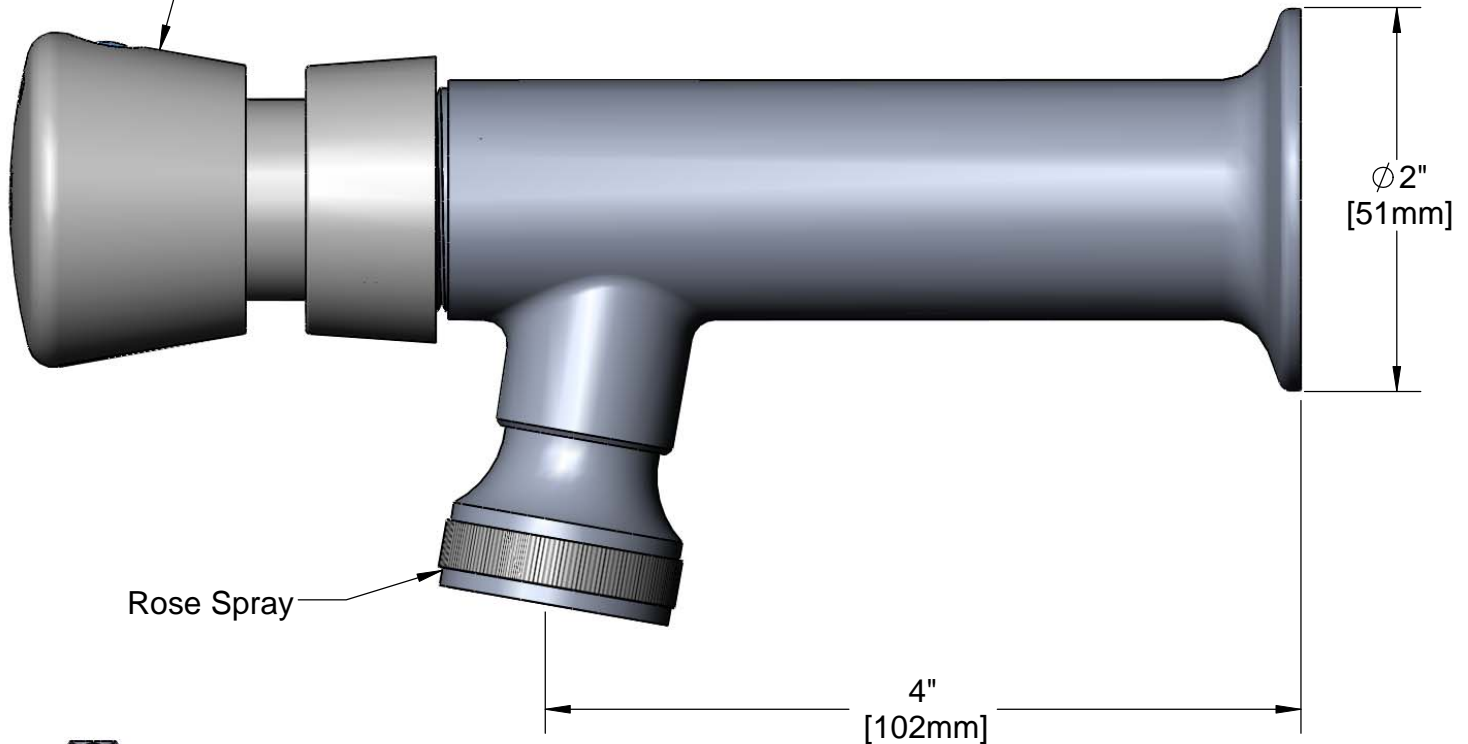
Architect/Engineer \_\_\_\_\_



**ADA Compliant**



Adjustable Flow and Vandal Resistant  
Push Button Metering Cartridge



Rose Spray



Furnished w/  
Spanner Bit

Product Specifications:

Wash Sink Metering Faucet w/ 1/2" NPT Female Inlet  
& Adjustable Flow

Drawn <b>DMH</b>	Checked <b>GEF</b>	Approved <b>JHB</b>
Scale: <b>1:2</b>		Date: <b>07/09/08</b>



**T&S BRASS AND BRONZE WORKS, INC.**

2 Saddleback Cove / P.O. Box 1088  
Travelers Rest, SC 29690



REG. #A2601  
ISO #9001

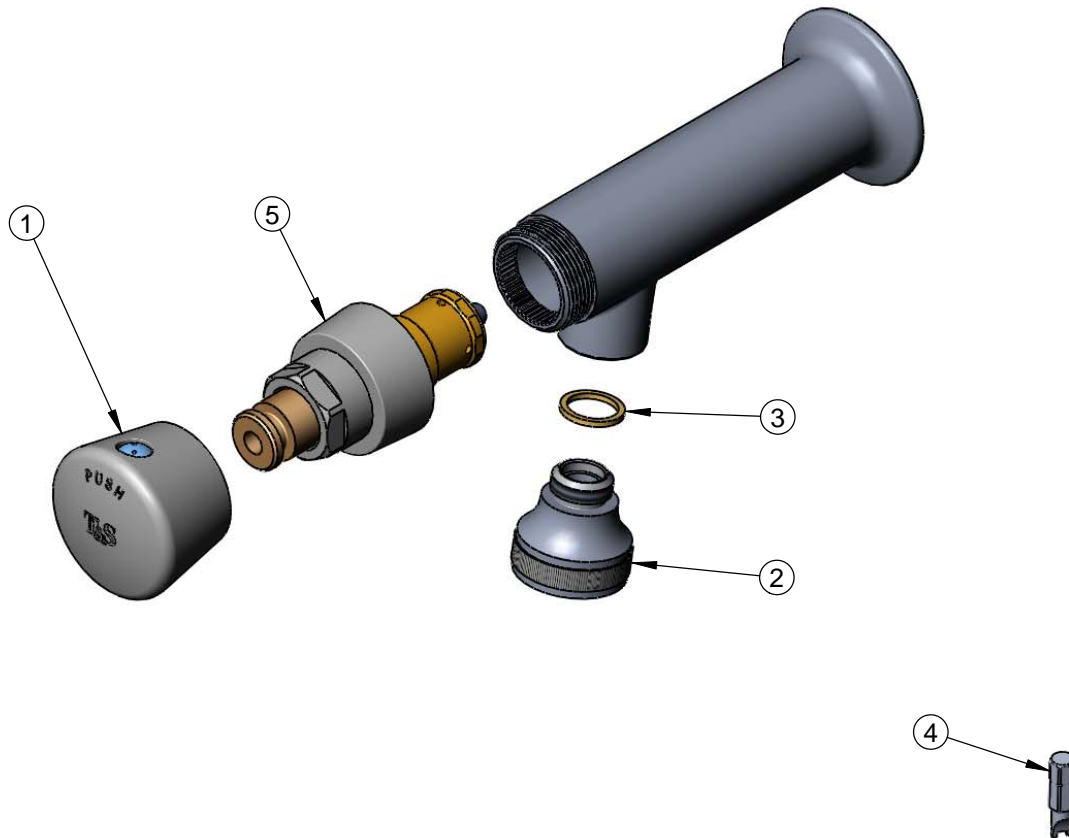
Model No.

**B-0800**

Item No.

Travelers Rest, SC: 800-476-4103 Simi Valley, CA: 800-423-0150 Fax: 864-834-3518 www.tsbrass.com

ITEM NO.	SALES NO.	DESCRIPTION
1	014193-40	Push Button Cap Asm.
2	B-0103	Spray Head Assembly
3	001043-45	Washer
4	014734-45	#8 Spanner Bit
5	238A	Push Button Metering Ctg.



Product Specifications:

Wash Sink Metering Faucet w/ 1/2" NPT Female Inlet & Adjustable Flow

Drawn <b>DMH</b>	Checked <b>GEF</b>	Approved <b>JHB</b>
Scale: <b>NTS</b>		Date: <b>07/09/08</b>