



T&S BRASS AND BRONZE WORKS, INC.

2 Saddleback Cove / P.O. Box 1088
Travelers Rest, SC 29690



REG. #A2601
ISO #9001

Model No.

B-0715

Item No.

Travelers Rest, SC: 800-476-4103 • Simi Valley, CA: 800-423-0150 • Fax: 864-834-3518 • www.tsbrass.com

This Space for Architect/Engineer Approval

Job Name _____ Date _____

Model Specified _____ Quantity _____

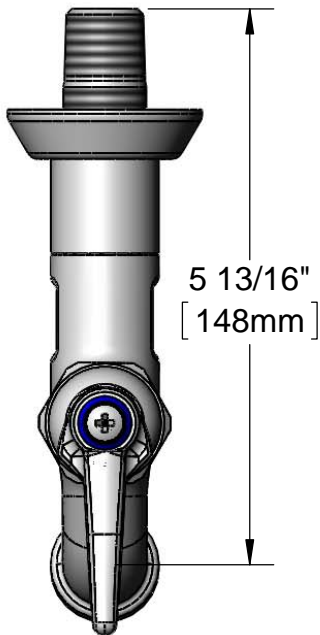
Customer/Wholesaler _____

Contractor _____

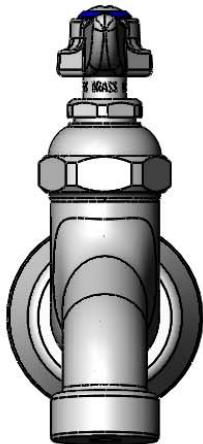
Architect/Engineer _____



ADA Compliant

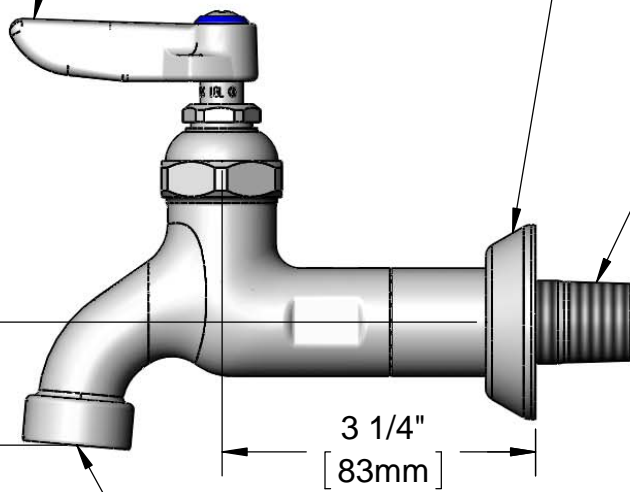


5 13/16"
[148mm]



Eterna Cartridge &
Lever Handle w/
Color Coded Index

Ø 2 1/32" [52mm]
Adjustable Flange



1/2" NPT
Male Inlet

1 1/4"
[32mm]

3 1/4"
[83mm]

1 1/16"
[27mm]

Plain End Outlet

Note: Rough-In Requirement
Ø 1" [25mm] Mounting Hole

Product Specifications:

Single Sink Faucet w/ Eterna Cartridge, Lever Handle, Adjustable Flange Plain End Spout & 1/2" NPT Male Inlet

Drawn

DHL

Checked

KJG

Approved

JHB

Scale:

1:2

Date:

03/02/12



T&S BRASS AND BRONZE WORKS, INC.

2 Saddleback Cove / P.O. Box 1088
Travelers Rest, SC 29690



REG. #A2601
ISO #9001

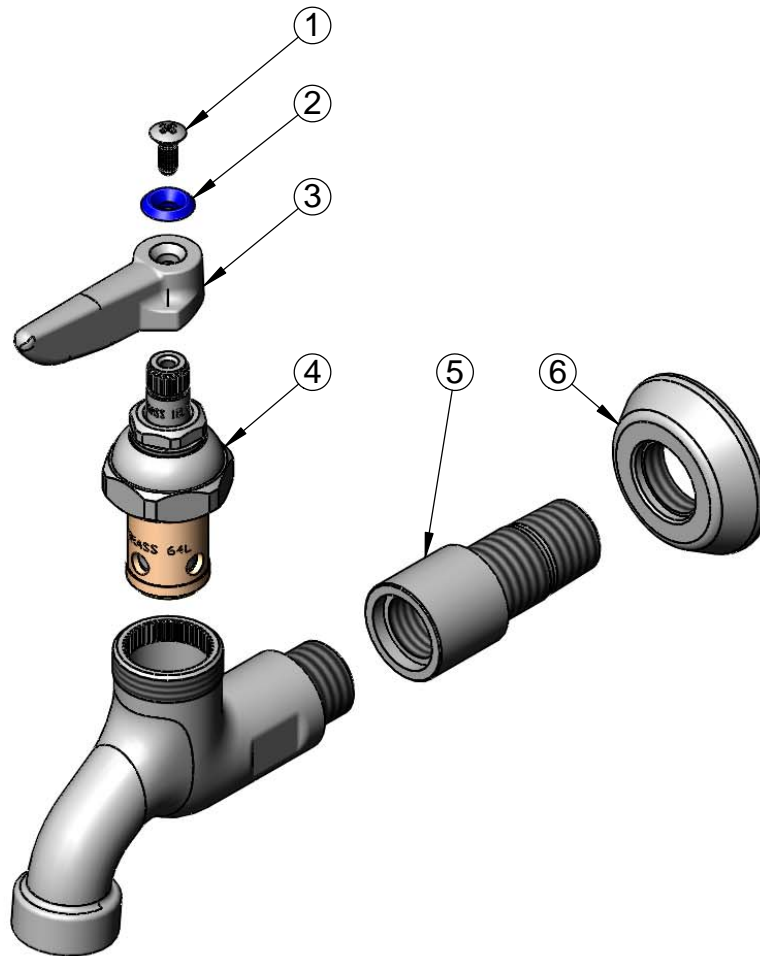
Model No.

B-0715

Item No.

Travelers Rest, SC: 800-476-4103 • Simi Valley, CA: 800-423-0150 • Fax: 864-834-3518 • www.tsbrass.com

ITEM NO.	SALES NO.	DESCRIPTION
1	000922-45	Lever Handle Screw
2	001660-45	Blue Index-CW
3	001638-45	Lever Handle
4	005960-40	Eterna Cartridge, RTC
5	005339-40	Nipple, B-0715
6	000023-40	Adjustable Wall Flange



Product Specifications:

Single Sink Faucet w/ Eterna Cartridge, Lever Handle, Adjustable Flange Plain End Spout & 1/2" NPT Male Inlet

Drawn

DHL

Checked

KJG

Approved

JHB

Scale:

NTS

Date:

03/02/12