



T&S BRASS AND BRONZE WORKS, INC.
 2 Saddleback Cove / P.O. Box 1088
 Travelers Rest, SC 29690

Model No.
B-0690

Item No.

Travelers Rest, SC: 800-476-4103 • Simi Valley, CA: 800-423-0150 • Fax: 864-834-3518 • www.tsbrass.com

This Space for Architect/Engineer Approval

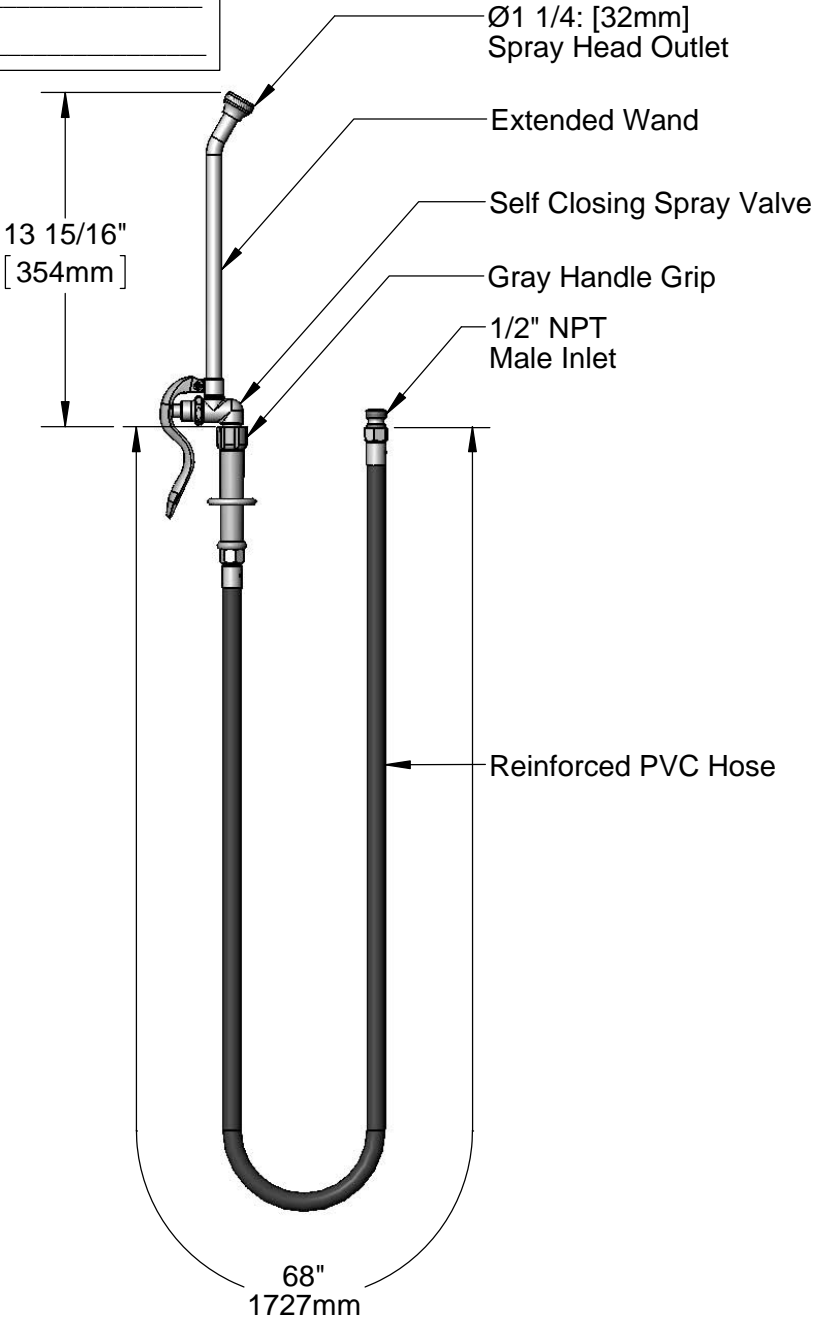
Job Name _____ Date _____

Model Specified _____ Quantity _____

Customer/Wholesaler _____

Contractor _____

Architect/Engineer _____



Product Specifications:
 Bed Pan Washer w/ Self Closing Spray Valve, Extended Spray Outlet,
 68" Reinforced PVC Hose & 1/2" NPT Male Inlet

Drawn DHL	Checked DMH	Approved JHB
Scale: 1:8		Date: 12/20/12

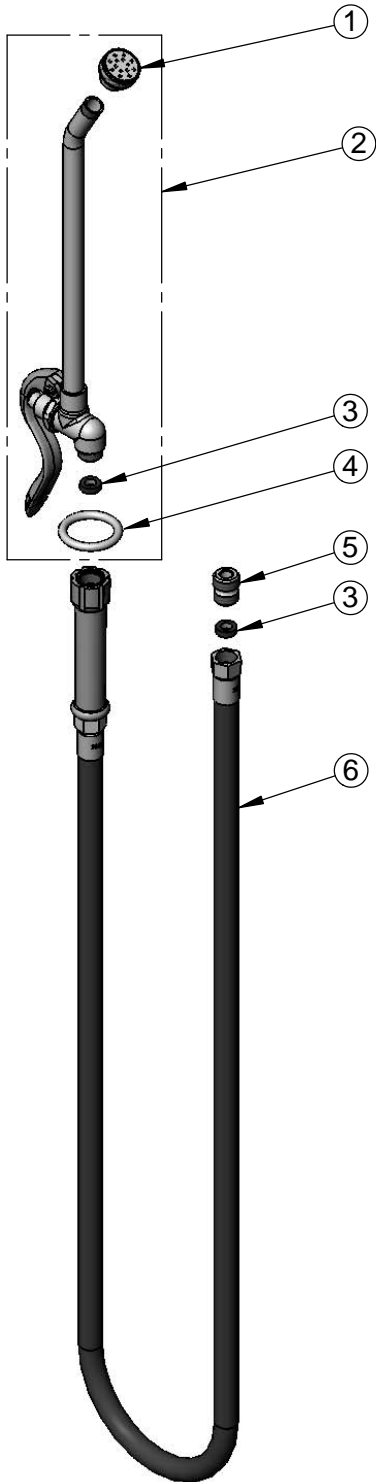


T&S BRASS AND BRONZE WORKS, INC.
 2 Saddleback Cove / P.O. Box 1088
 Travelers Rest, SC 29690

Model No.
B-0690

Item No.

Travelers Rest, SC: 800-476-4103 • Simi Valley, CA: 800-423-0150 • Fax: 864-834-3518 • www.tsbrass.com



ITEM NO.	SALES NO.	DESCRIPTION
1	006E	Spray Head
2	002865-40	Extended Spray Wand
3	010476-45	#27 Washer
4	000907-45	Spray Valve Hold Down Ring
5	055A	Adapter, 1/2 NPT Male
6	B-0068-R	68" Reinforced PVC Hose w/ Handle

Product Specifications:
 Bed Pan Washer w/ Self Closing Spray Valve, Extended Spray Outlet,
 68" Reinforced PVC Hose & 1/2" NPT Male Inlet

Drawn DHL	Checked DMH	Approved JHB
---------------------	-----------------------	------------------------

Scale: NTS	Date: 12/20/12
----------------------	--------------------------