



T&S BRASS AND BRONZE WORKS, INC.

2 Saddleback Cove / P.O. Box 1088
 Travelers Rest, SC 29690



REG. #A2601
 ISO #9001

Model No.

B-0678

Item No.

Travelers Rest, SC: 800-476-4103 • Simi Valley, CA: 800-423-0150 • Fax: 864-834-3518 • www.tsbrass.com

This Space for Architect/Engineer Approval

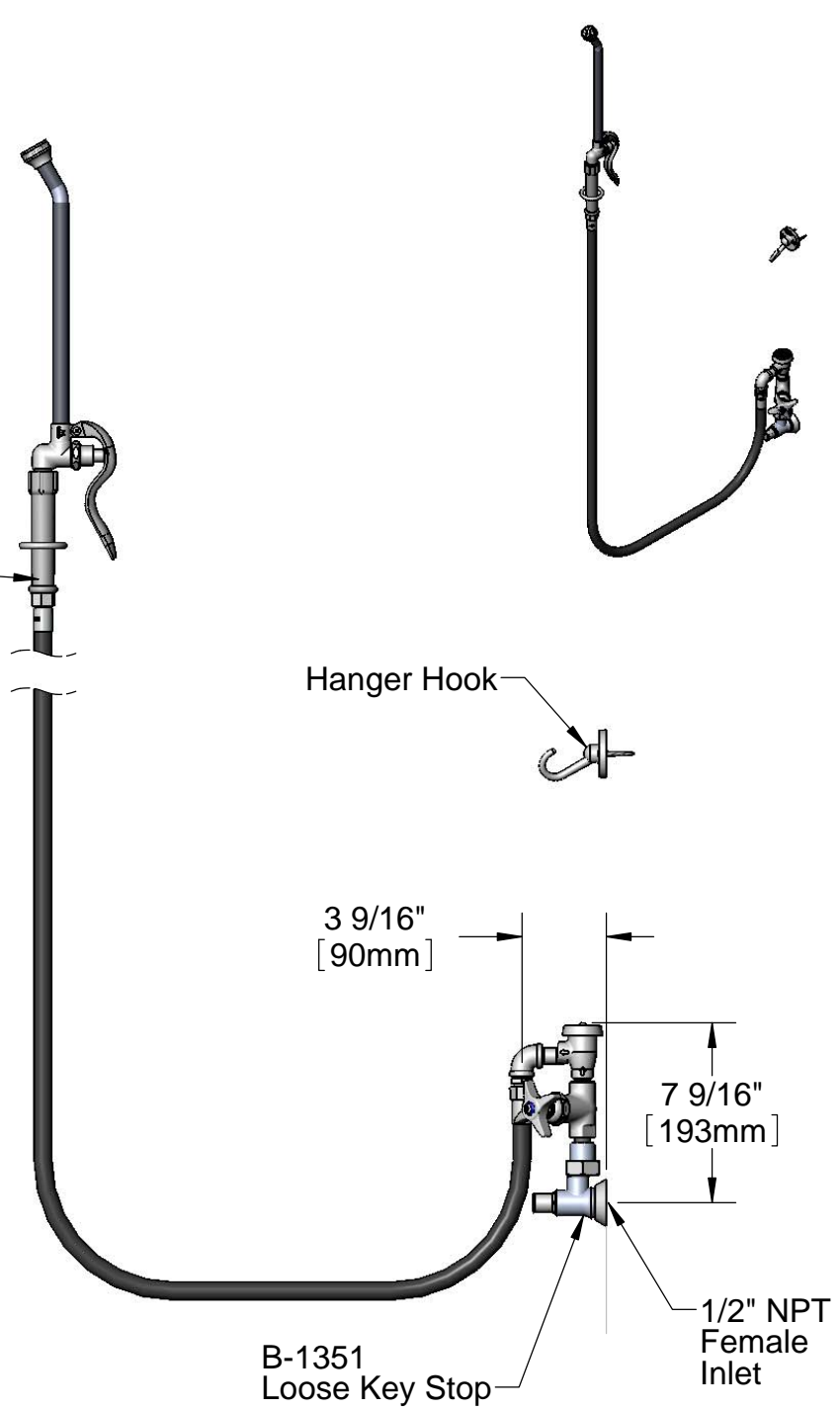
Job Name _____ Date _____

Model Specified _____ Quantity _____

Customer/Wholesaler _____

Contractor _____

Architect/Engineer _____



Product Specifications:
 Bed Pan Washer, Loose Key Angle Stop, Vacuum Breaker Outlet,
 Hanger Hook, 4-Arm Handle & Self Closing Valve w/
 Extended Spray Outlet

Drawn DMH	Checked KJG	Approved JHB
Scale: 1:8		Date: 09/30/11



T&S BRASS AND BRONZE WORKS, INC.

2 Saddleback Cove / P.O. Box 1088
Travelers Rest, SC 29690



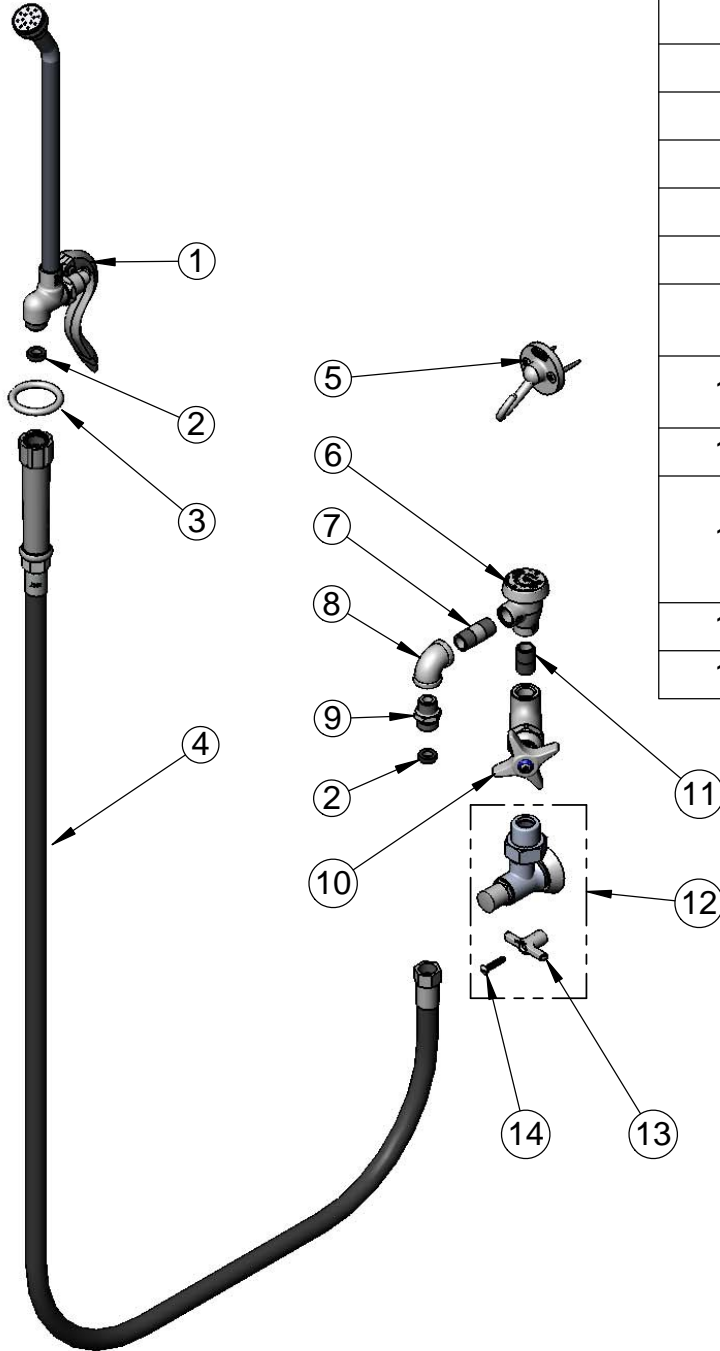
REG. #A2601
ISO #9001

Model No.

B-0678

Item No.

Travelers Rest, SC: 800-476-4103 • Simi Valley, CA: 800-423-0150 • Fax: 864-834-3518 • www.tsbrass.com



ITEM NO.	SALES NO.	DESCRIPTION
1	002865-40	Spray Valve w/ Extended Wand
2	010476-45	#27 Washer
3	000907-45	Spray Valve Hold Down Ring
4	B-0068-R	Reinforced PVC Hose & Handle
5	B-0104-D	Hanger Hook
6	B-0968	Vacuum Breaker Asm, 3/8"
7	002341-40	Nipple, 3/8" x 2"
8	001355-40	Elbow, 3/8 NPT
9	053A	Adapter, 3/8" NPT x 3/4"-14 UNS
10	007010-40	Straight Stop Assembly w/ 4-Arm & Blue Index
11	002535-25	3/8" Close Nipple
12	B-1351	Loose Key Angle Stop Asm. w/ 1/2" NPT Female Inlet & 3/8" NPT Female Union Coupling Outlet
13	001802-45	Handle, Supply Stop "T"
14	002432-45	Loose Key Handle Screw

Product Specifications:
Bed Pan Washer, Loose Key Angle Stop, Vacuum Breaker Outlet,
Hanger Hook, 4-Arm Handle & Self Closing Valve w/
Extended Spray Outlet

Drawn DMH	Checked KJG	Approved JHB
Scale: NTS		Date: 09/30/11