



T&S BRASS AND BRONZE WORKS, INC.

2 Saddleback Cove / P.O. Box 1088
Travelers Rest, SC 29690



REG. #A2601
ISO #9001

Model No.

B-0665-BSTP

Item No.

Travelers Rest, SC: 800-476-4103 • Simi Valley, CA: 800-423-0150 • Fax: 864-834-3518 • www.tsbrass.com

This Space for Architect/Engineer Approval

Job Name _____ Date _____

Model Specified _____ Quantity _____

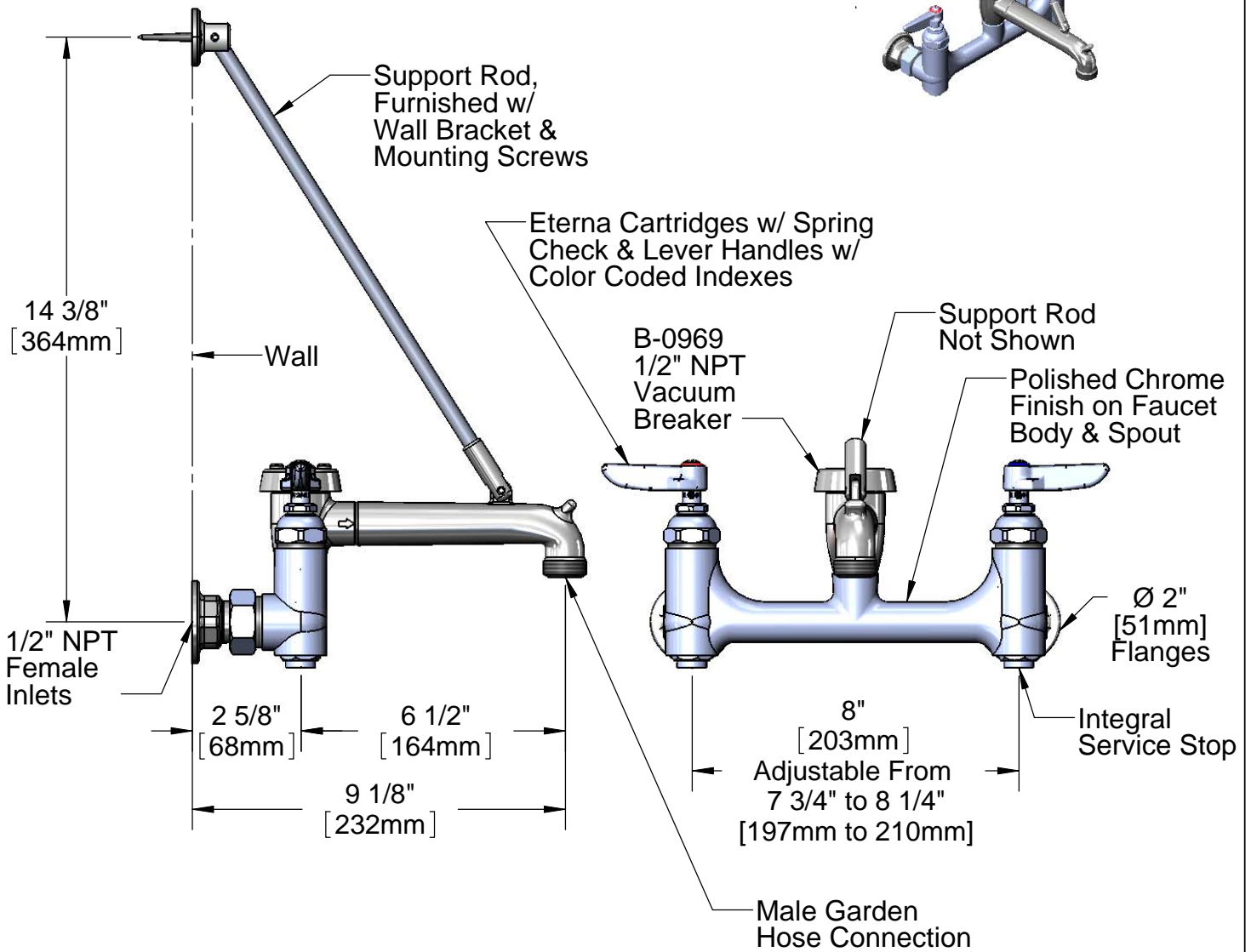
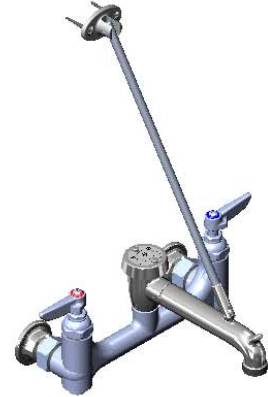
Customer/Wholesaler _____

Contractor _____

Architect/Engineer _____



ADA Compliant



Product Specifications:
Service Sink, Inlet Stops, Eterna Spring Check Cartridges,
Lever Handles, Polished Chrome

Drawn

DHL

Checked

JRM

Approved

JHB

Scale:

1:4

Date:

03/22/11



T&S BRASS AND BRONZE WORKS, INC.

2 Saddleback Cove / P.O. Box 1088
 Travelers Rest, SC 29690



REG. #A2601
 ISO #9001

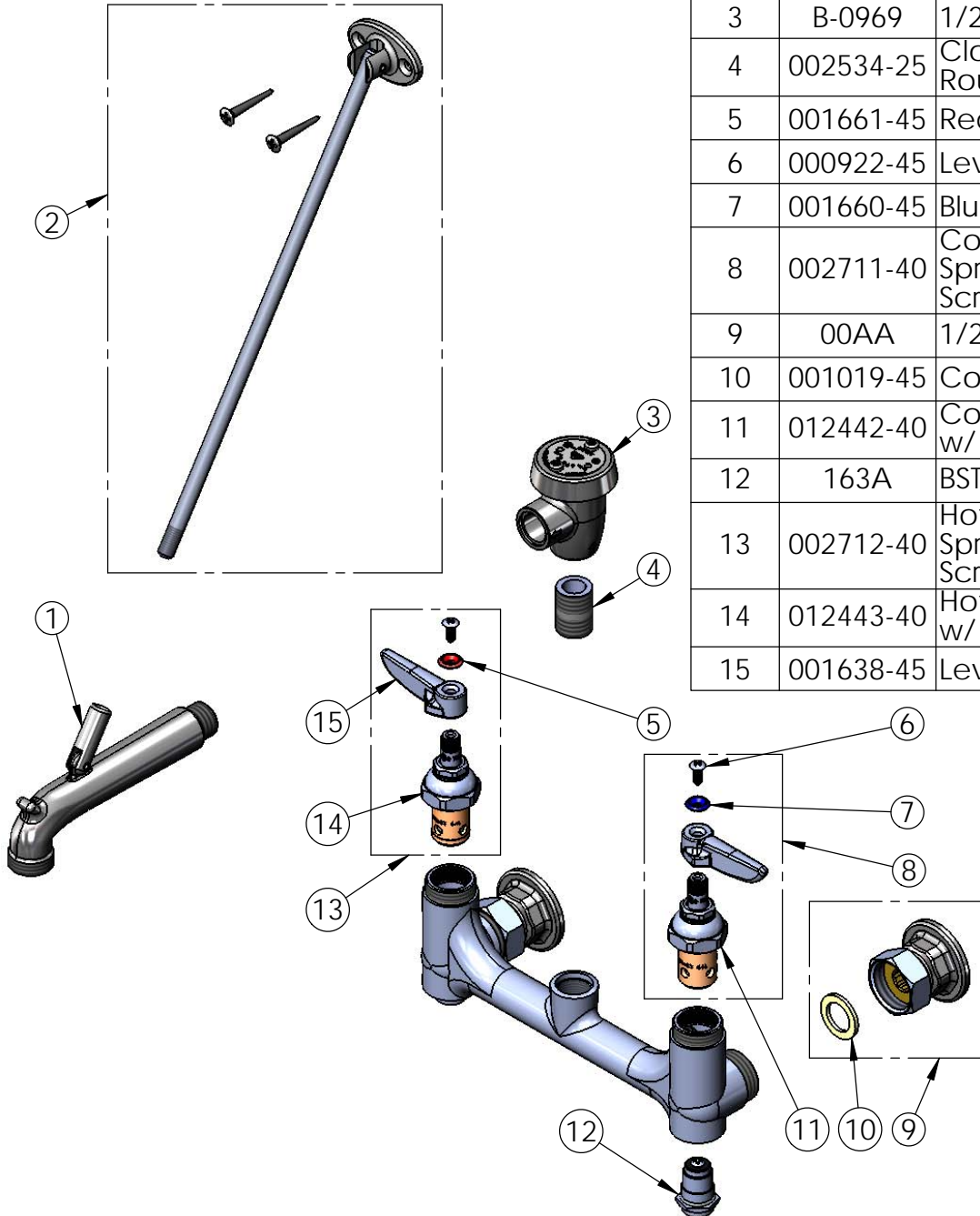
Model No.

B-0665-BSTP

Item No.

Travelers Rest, SC: 800-476-4103 • Simi Valley, CA: 800-423-0150 • Fax: 864-834-3518 • www.tsbrass.com

ITEM NO.	SALES NO.	DESCRIPTION
1	009545-40	Spout Asm Polish Chrome w/ Support Clevis
2	009546-40	Suprt Rod B-0665 - Polish Chrome
3	B-0969	1/2" NPT Vacuum Breaker
4	002534-25	Close Nipple, 1/2" x 1 5/32" Lg Rough Chrome
5	001661-45	Red Index-HW
6	000922-45	Lever Handle Screw
7	001660-45	Blue Index-CW
8	002711-40	Cold Eterna Spindle Asm w/ Spring Check, Handle, Index & Screw
9	00AA	1/2" NPT Wall Flange
10	001019-45	Coupling Nut Washer
11	012442-40	Cold Eterna Spindle Assembly w/ Spring Check
12	163A	BST Assembly, 163A
13	002712-40	Hot Eterna Spindle Asm w/ Spring Check, Handle, Index & Screw
14	012443-40	Hot Eterna Spindle Assembly w/ Spring Check
15	001638-45	Lever Handle



Product Specifications:
 Service Sink, Inlet Stops, Eterna Spring Check Cartridges,
 Lever Handles, Polished Chrome

Drawn DHL	Checked JRM	Approved JHB
Scale: NTS		Date: 03/22/11