



T&S BRASS AND BRONZE WORKS, INC.
 2 Saddleback Cove / P.O. Box 1088
 Travelers Rest, SC 29690

Model No.
B-0665-BSTP-CVB

Item No.

Travelers Rest, SC: 800-476-4103 • Simi Valley, CA: 800-423-0150 • Fax: 864-834-3518 • www.tsbrass.com



ADA Compliant

This Space for Architect/Engineer Approval

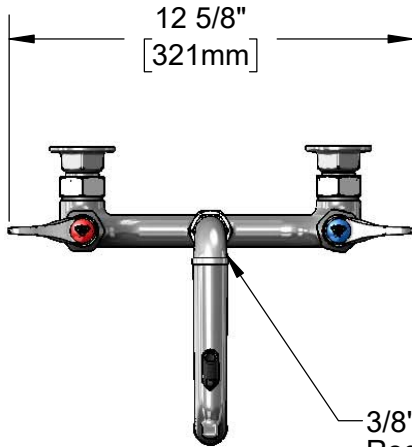
Job Name _____ Date _____

Model Specified _____ Quantity _____

Customer/Wholesaler _____

Contractor _____

Architect/Engineer _____



3/8" NPT x 1/2" NPT
Reducer Elbow

Support Rod,
Furnished w/
Wall Bracket &
Mounting Screws

Items Not Shown
for Clarity

Dual Check 3/8" NPT
Vacuum Breaker

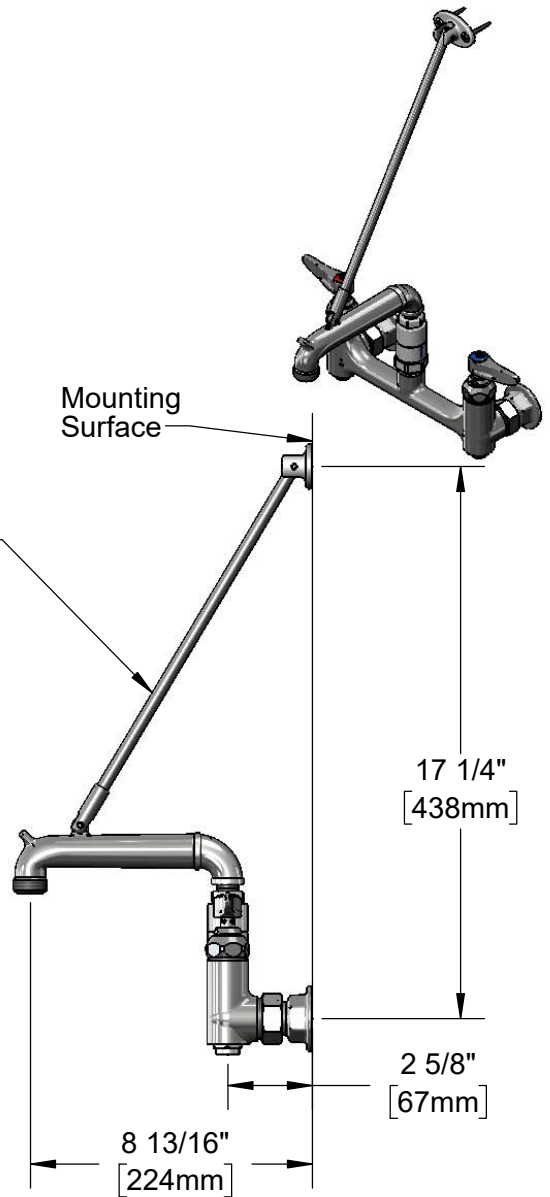
Quarter-Turn
Eterna Cartridges w/
Spring Checks &
Lever Handles w/
Color Coded Indexes

3 15/16"
[99mm]

Integral
Service
Stop

8"
[203mm]
Adjustable From
7 3/4" to 8 1/4"
[197mm to 210mm]

Ø2"
[51mm]
Flanges w/
1/2" NPT
Female Inlets



Product Specifications:

8' Wall Mount Service Sink, Quarter-Turn Eterna Cartridges w/ Spring Checks, Dual Check 3/8" NPT Vacuum Breaker, Lever Handles, Upper Support Rod, Built-In Stops, Garden Hose Male Outlet, Polished Chrome Finish and 1/2" NPT Female Inlets

Product Compliance:

ASME A112.18.1 / CSA B125.1
 NSF 61 - Section 9
 NSF 372 (Low Lead Content)
 ANSI A117.1 (ADA)
 ASSE 1001 (VB)



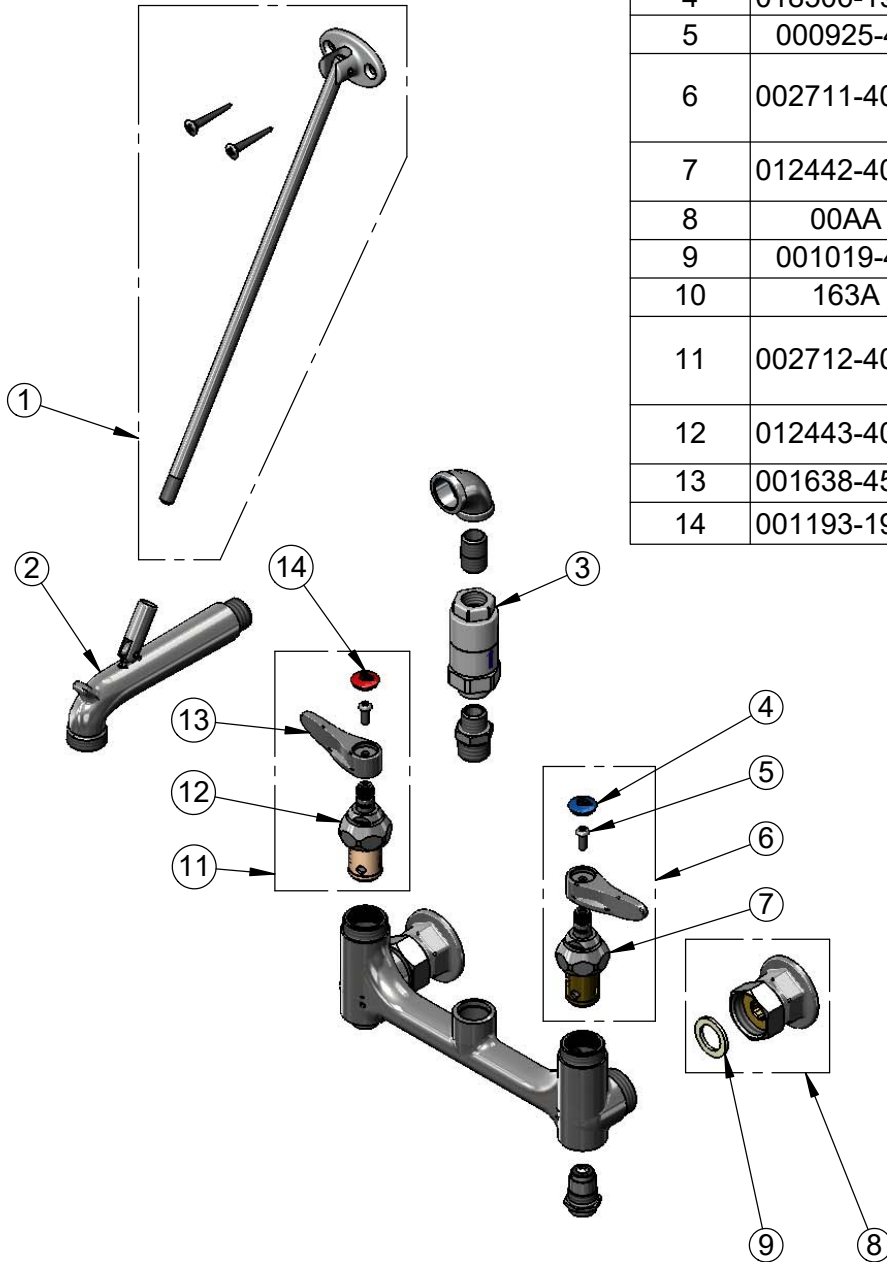
T&S BRASS AND BRONZE WORKS, INC.
 2 Saddleback Cove / P.O. Box 1088
 Travelers Rest, SC 29690

Model No.
B-0665-BSTP-CVB

Item No.

Travelers Rest, SC: 800-476-4103 • Simi Valley, CA: 800-423-0150 • Fax: 864-834-3518 • www.tsbrass.com

ITEM NO.	SALES NO.	DESCRIPTION
1	009546-40	Upper Support Rod
2	009545-40	Spout w/ Male GH Outlet & Upper Clevis- Polished Chrome
3	B-0975	Dual Check Valve VB
4	018506-19NS	Blue Button Index, Press-in
5	000925-45	Lab Handle Screw
6	002711-40NS	Quarter-Turn Eterna Cartridge w/ Spring Check, Handle, Blue Index & Screw, LTC
7	012442-40NS	Quarter-Turn Eterna Cartridge w/ Spring Check, LTC
8	00AA	1/2" NPT Female Eccentric Flange
9	001019-45	Coupling Nut Washer
10	163A	Built-In Service Stop
11	002712-40NS	Quarter-Turn Eterna Cartridge w/ Spring Check, Handle, Red Index & Screw, RTC
12	012443-40NS	Quarter-Turn Eterna Cartridge w/ Spring Check, RTC
13	001638-45NS	Lever Handle (New Style)
14	001193-19NS	Red Button Index, Press-in



Product Specifications:
 8' Wall Mount Service Sink, Quarter-Turn Eterna Cartridges w/ Spring Checks, Dual Check 3/8" NPT Vacuum Breaker, Lever Handles, Upper Support Rod, Built-In Stops, Garden Hose Male Outlet, Polished Chrome Finish and 1/2" NPT Female Inlets

Product Compliance:
 ASME A112.18.1 / CSA B125.1
 NSF 61 - Section 9
 NSF 372 (Low Lead Content)
 ANSI A117.1 (ADA)
 ASSE 1001 (VB)