



T&S BRASS AND BRONZE WORKS, INC.
 2 Saddleback Cove / P.O. Box 1088
 Travelers Rest, SC 29690

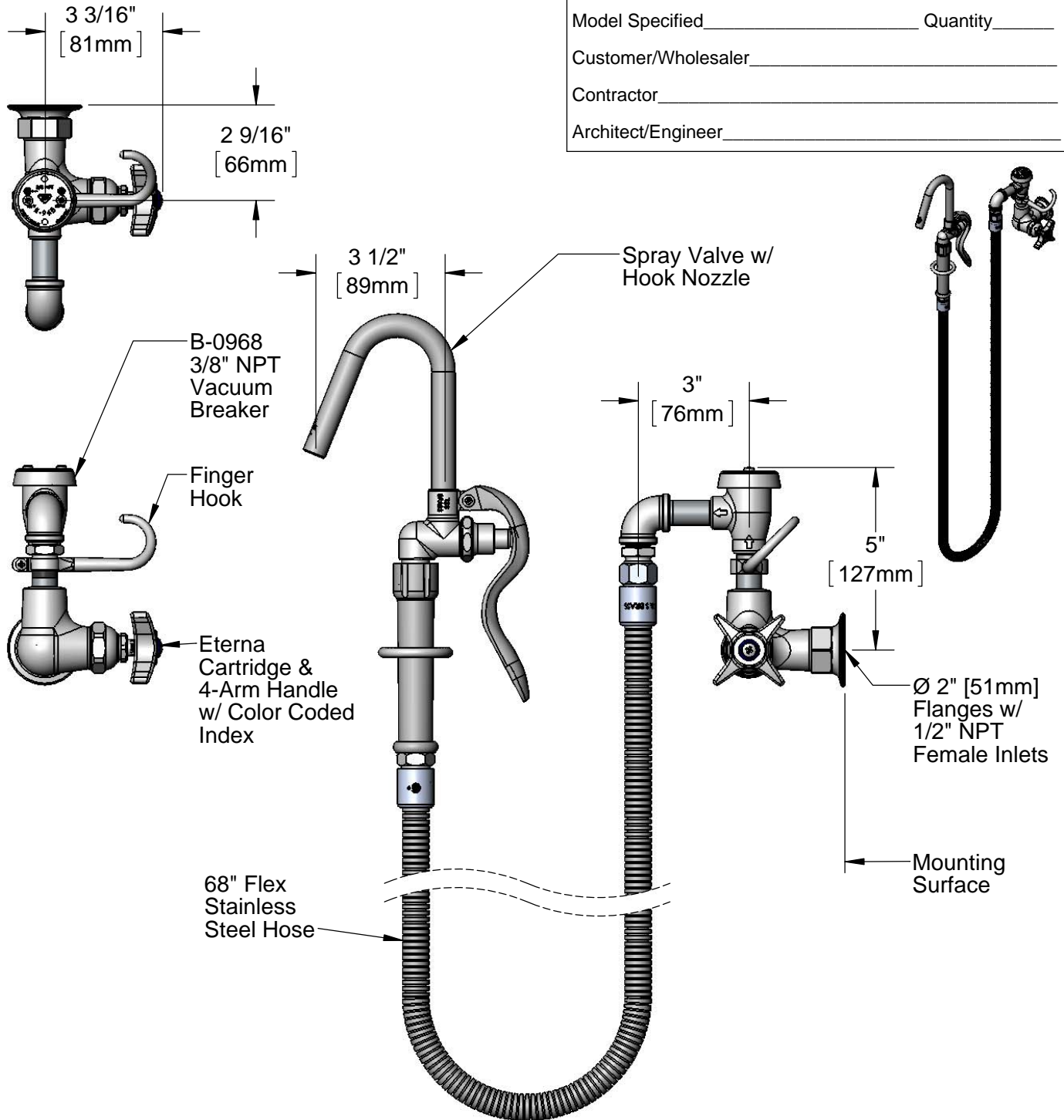
Model No.
B-0605

Item No.

Travelers Rest, SC: 800-476-4103 • Simi Valley, CA: 800-423-0150 • Fax: 864-834-3518 • www.tsbrass.com

This Space for Architect/Engineer Approval

Job Name _____ Date _____
 Model Specified _____ Quantity _____
 Customer/Wholesaler _____
 Contractor _____
 Architect/Engineer _____



Product Specifications:
 Kettle & Pot Filler Wall Mount Faucet, Eterna Cartridge,
 $\frac{3}{8}$ " NPT Vacuum Breaker, 4-Arm Handle, 68" Flexible
 Stainless Steel Hose, Spray Valve w/ Hook Nozzle &
 $\frac{1}{2}$ " NPT Female Inlet

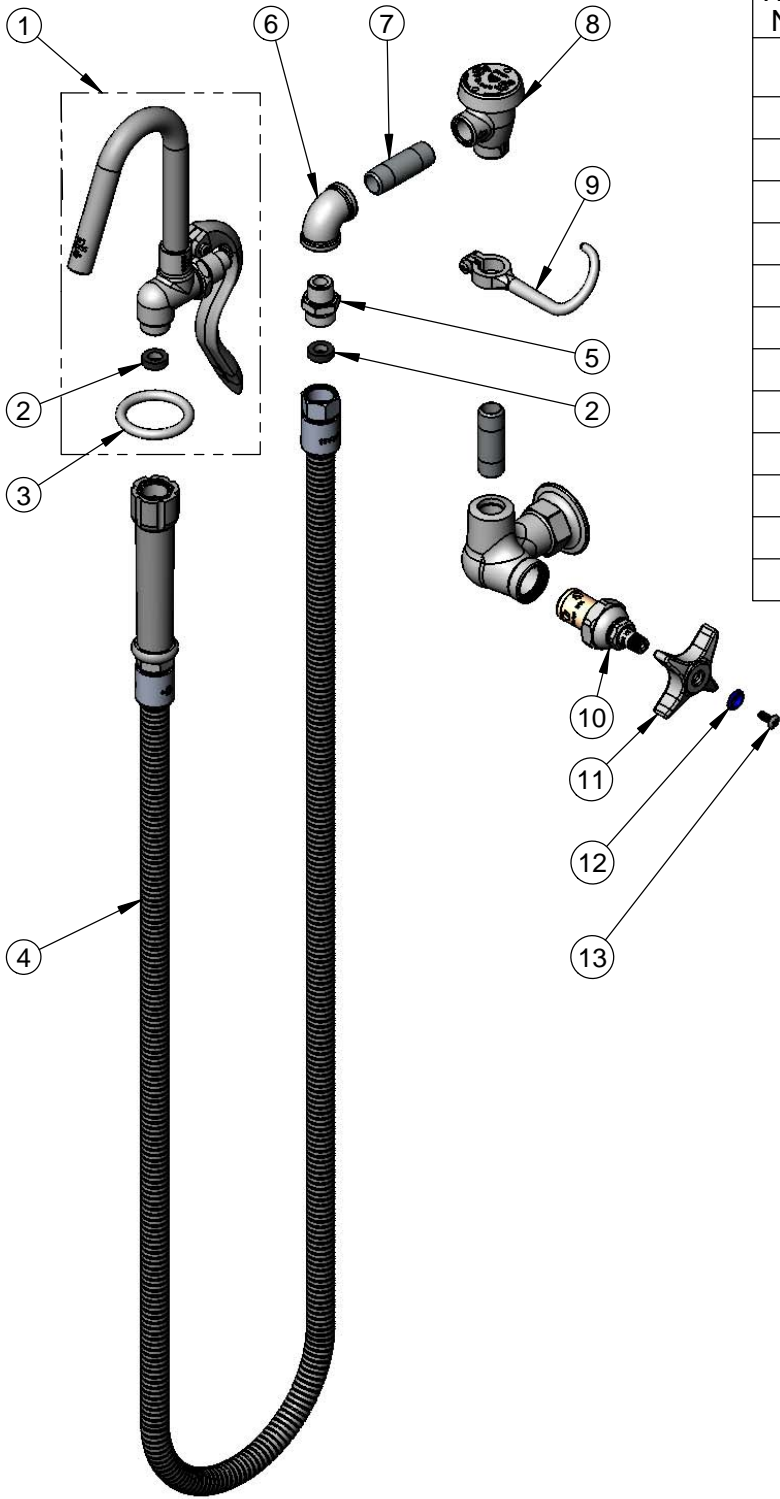
Drawn DHL	Checked DMH	Approved JHB
Scale: 1:4	Date: 02/11/13	



T&S BRASS AND BRONZE WORKS, INC.
 2 Saddleback Cove / P.O. Box 1088
 Travelers Rest, SC 29690

Model No.
B-0605
 Item No.

Travelers Rest, SC: 800-476-4103 • Simi Valley, CA: 800-423-0150 • Fax: 864-834-3518 • www.tsbrass.com



ITEM NO.	SALES NO.	DESCRIPTION
1	002851-40	B-0187 Spray Valve w/ Hook Nozzle
2	010476-45	#27 Washer
3	000907-45	Spray Valve Hold Down Ring
4	B-0068-H	68" Flex Stainless Steel Hose
5	053A	Adapter, 3/8" NPT x 3/4"-14 UNS
6	001355-40	Elbow, 3/8 NPT
7	000357-40	Nipple, 3/8" NPT x 2"
8	B-0968	Vacuum Breaker Asm, 3/8"
9	004R	Finger Hook
10	005960-40	Eterna Cartridge, RTC
11	002521-45	4-Arm Handle
12	001660-45	Blue Index-CW
13	000922-45	Lever Handle Screw

Product Specifications:
 Kettle & Pot Filler Wall Mount Faucet, Eterna Cartridge,
 3/8" NPT Vacuum Breaker, 4-Arm Handle, 68" Flexible
 Stainless Steel Hose, Spray Valve w/ Hook Nozzle &
 1/2" NPT Female Inlet

Drawn DHL	Checked DMH	Approved JHB
Scale: NTS		Date: 02/11/13