



T&S BRASS AND BRONZE WORKS, INC.

2 Saddleback Cove / P.O. Box 1088
Travelers Rest, SC 29690

Model No.

B-0597

Item No.

Travelers Rest, SC: 800-476-4103 • Simi Valley, CA: 800-423-0150 • Fax: 864-834-3518 • www.tsbrass.com

This Space for Architect/Engineer Approval

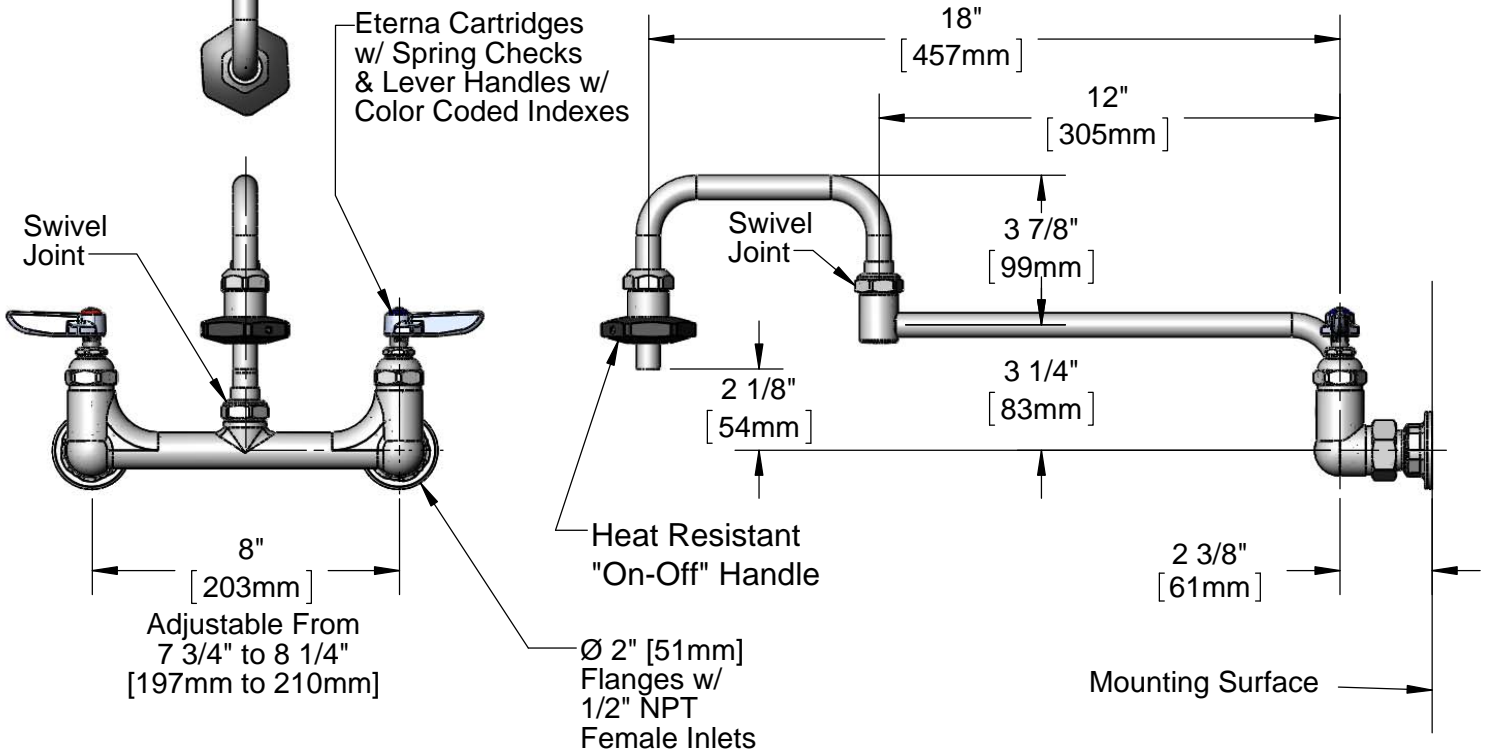
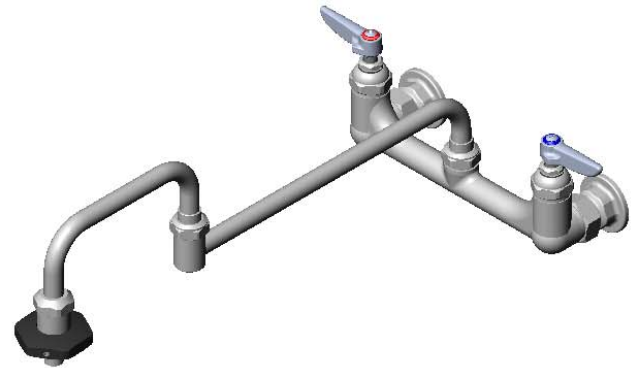
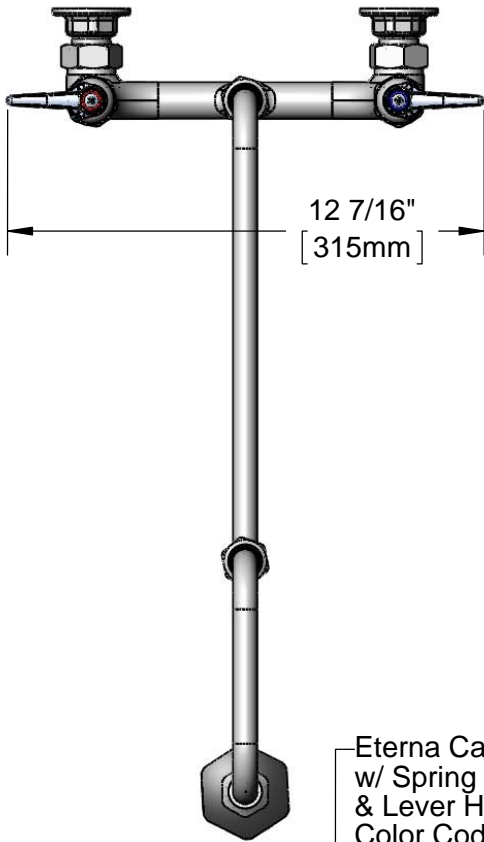
Job Name _____ Date _____

Model Specified _____ Quantity _____

Customer/Wholesaler _____

Contractor _____

Architect/Engineer _____



Product Specifications:

8" Center Pot Filler Mixing Faucet w/ 18" Double Joint Swing Nozzle, Heat Resistant Handle, Eterna Cartridges w/ Spring Checks Lever Handles & 1/2" NPT Female Inlets

Drawn

KJG

Checked

DHL

Approved

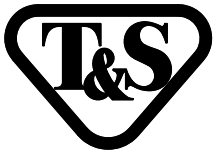
JHB

Scale:

1:5

Date:

09/27/12



T&S BRASS AND BRONZE WORKS, INC.
 2 Saddleback Cove / P.O. Box 1088
 Travelers Rest, SC 29690

Model No.
B-0597
 Item No.

Travelers Rest, SC: 800-476-4103 • Simi Valley, CA: 800-423-0150 • Fax: 864-834-3518 • www.tsbrass.com

ITEM NO.	SALES NO.	DESCRIPTION
1	000936-45	Handle Set Screw
2	000587-25	Spout Body
3	001498-25	Spout
4	001089-45	Seal
5	003426-45	O-Ring
6	002848-40	Double Jt Nozzle Asm 18"
7	002870-40	6" Front Section Asm
8	009538-45	Swivel Washer
9	001074-45	O-Ring
10	011429-45	Swivel Sleeves (2)
11	002871-40	12" Back Section Asm
12	001660-45	Blue Index-CW
13	002711-40	Eterna Cartridge, LTC w/ Spring Check, Handle, Index & Screw
14	00AA	Coupling Flange Asm
15	001019-45	Coupling Nut Washer
16	002712-40	Eterna Cartridge, RTC w/ Spring Check, Handle, Index & Screw
17	001638-45	Lever Handle
18	001661-45	Red Index-HW
19	001126-20	Handle w/ (2) Set Screws
20	035A	Outlet Asm
21	000922-45	Lever Handle Screw

Product Specifications:
 8" Center Pot Filler Mixing Faucet w/ 18" Double Joint Swing Nozzle,
 Heat Resistant Handle, Eterna Cartridges w/ Spring Checks Lever
 Handles & 1/2" NPT Female Inlets

Drawn KJG	Checked DHL	Approved JHB
Scale: NTS		Date: 09/27/12