



T&S BRASS AND BRONZE WORKS, INC.

2 Saddleback Cove / P.O. Box 1088
Travelers Rest, SC 29690

Model No.

B-0579

Item No.

Travelers Rest, SC: 800-476-4103 • Simi Valley, CA: 800-423-0150 • Fax: 864-834-3518 • www.tsbrass.com

This Space for Architect/Engineer Approval

Job Name _____ Date _____

Model Specified _____ Quantity _____

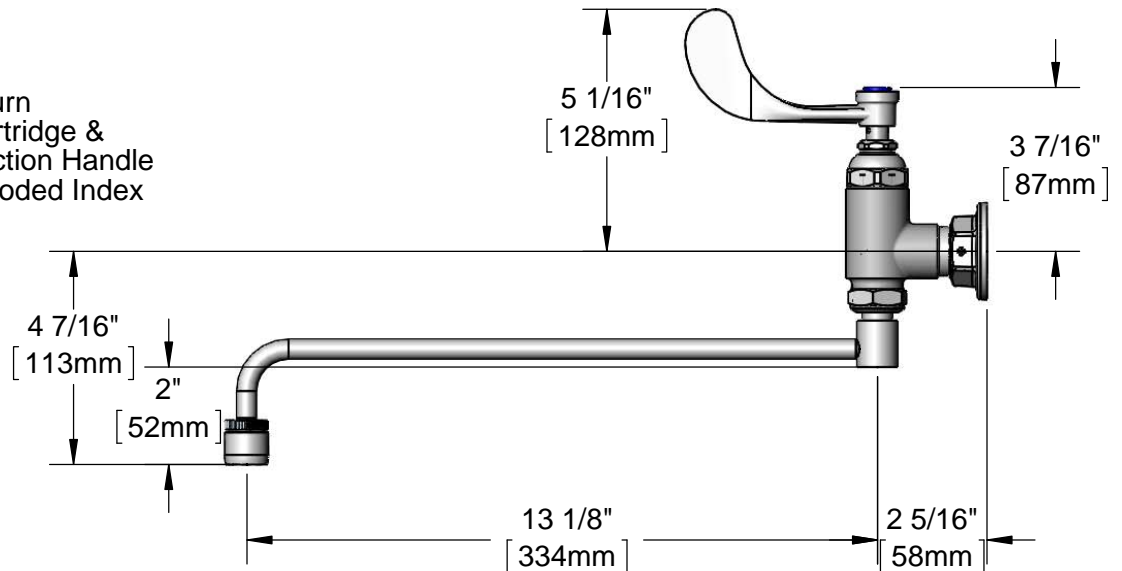
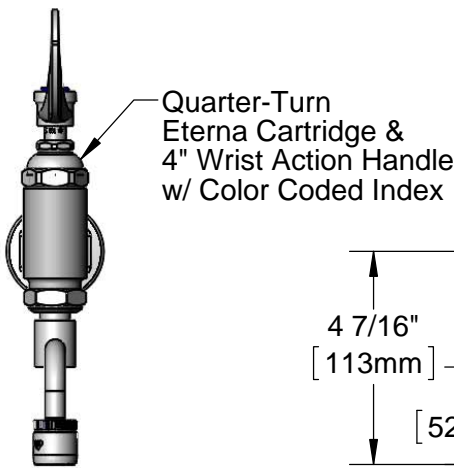
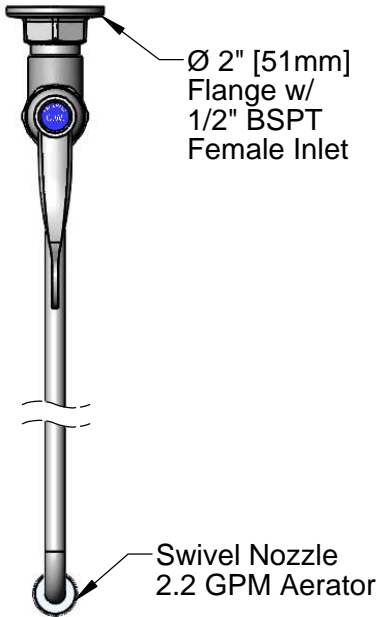
Customer/Wholesaler _____

Contractor _____

Architect/Engineer _____



ADA Compliant



Note: Rough-In Requirement
Ø 1" [25mm] Mounting Hole

Product Specifications:
Wall Mount Range Faucet, Quarter-Turn Eterna Cartridge,
4" Wrist Action Handle, Swing Nozzle w/ 2.2 GPM Aerator Outlet
& 1/2" NPT Male Thread Inlet

Product Compliance:
ASME A112.18.1 / CSA B125.1
NSF 61 - Section 9
NSF 372 (Low Lead Content)
ANSI A117.1 (ADA)



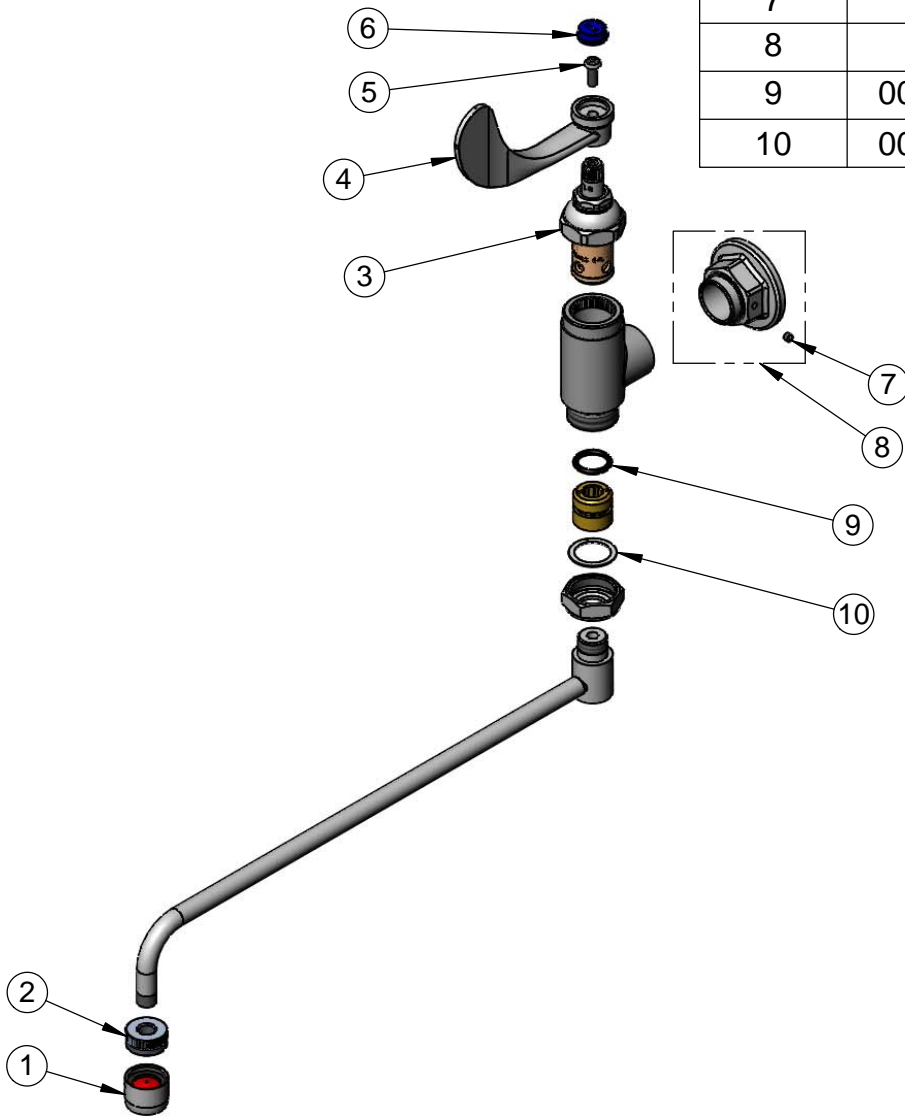
T&S BRASS AND BRONZE WORKS, INC.
 2 Saddleback Cove / P.O. Box 1088
 Travelers Rest, SC 29690

Model No.
B-0579

Item No.

Travelers Rest, SC: 800-476-4103 • Simi Valley, CA: 800-423-0150 • Fax: 864-834-3518 • www.tsbrass.com

ITEM NO.	SALES NO.	DESCRIPTION
1	B-0199-01	2.2 GPM Aerator, 55/64"-27 UN Female
2	001624-25	Adapter, 1/8" Female
3	006010-40QT	Quarter-Turn Eterna Cartridge RTC
4	B-WH4	4" Wrist Action Handle
5	000925-45	Lab Handle Screw
6	001686-45	Blue Index - CW
7	150F	8-32UN Set Screw
8	B-0460	1/2" Slip Flange
9	001074-45	O-Ring
10	009538-45	Swivel Washer



Product Specifications:
 Wall Mount Range Faucet, Quarter-Turn Eterna Cartridge,
 4" Wrist Action Handle, Swing Nozzle w/ 2.2 GPM Aerator Outlet
 & 1/2" NPT Male Thread Inlet

Product Compliance:
 ASME A112.18.1 / CSA B125.1
 NSF 61 - Section 9
 NSF 372 (Low Lead Content)
 ANSI A117.1 (ADA)