



T&S BRASS AND BRONZE WORKS, INC.
 2 Saddleback Cove / P.O. Box 1088
 Travelers Rest, SC 29690

Model No.
B-0536

Item No.

Travelers Rest, SC: 800-476-4103 • Simi Valley, CA: 800-423-0150 • Fax: 864-834-3518 • www.tsbrass.com

This Space for Architect/Engineer Approval

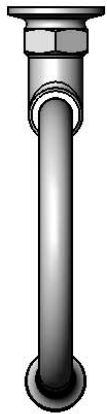
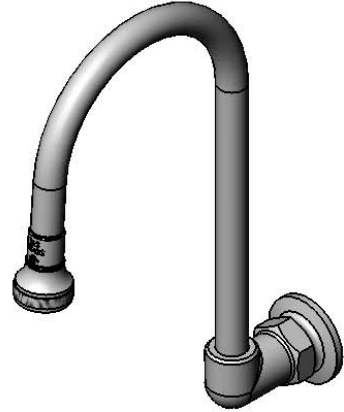
Job Name _____ Date _____

Model Specified _____ Quantity _____

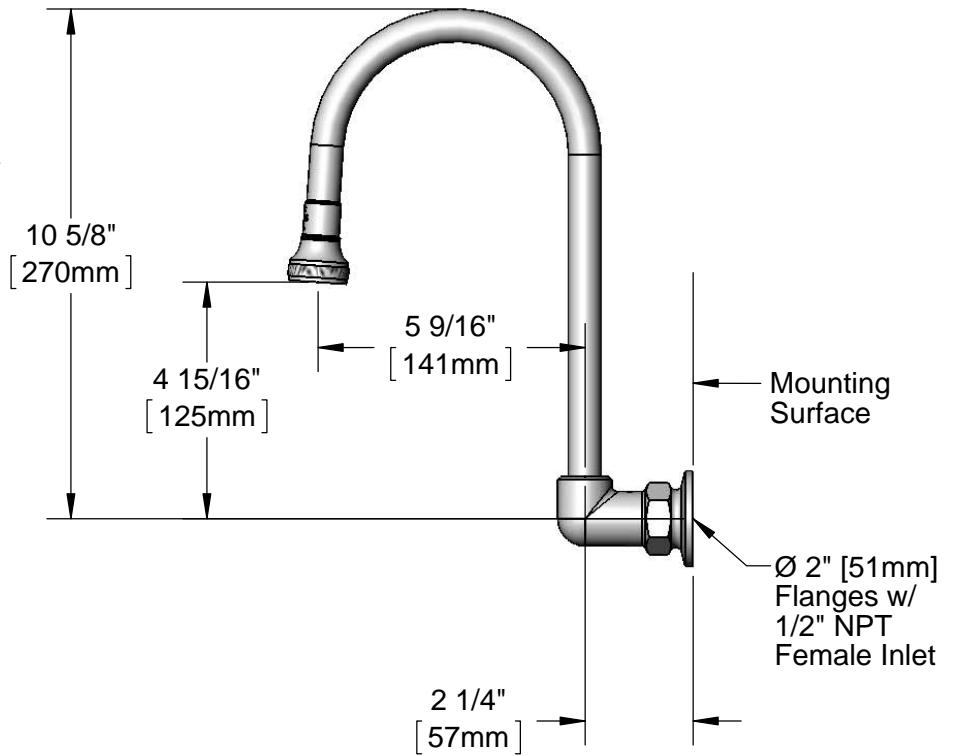
Customer/Wholesaler _____

Contractor _____

Architect/Engineer _____



B-0103
 Rosespray
 Outlet



Product Specifications:
 Wall Mount Rigid Gooseneck w/ Rosespray Outlet
 & 1/2" Female Thread Inlet

Drawn DHL	Checked DMH	Approved JHB
Scale: 1:4		Date: 08/29/12



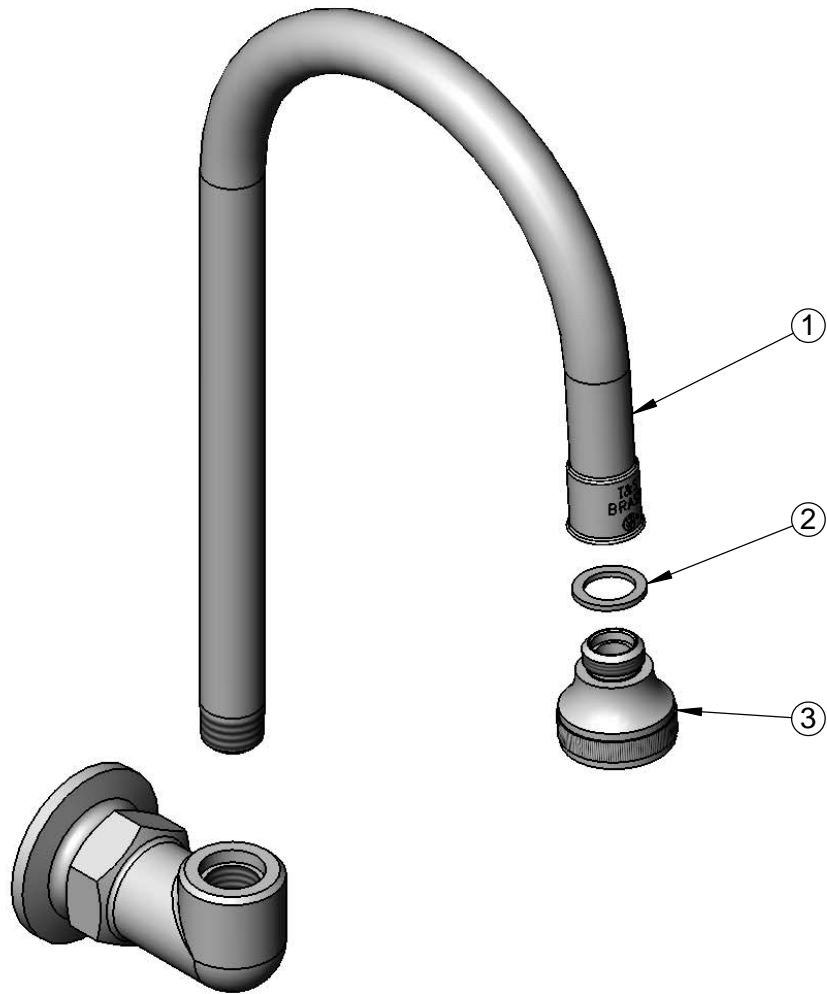
T&S BRASS AND BRONZE WORKS, INC.
 2 Saddleback Cove / P.O. Box 1088
 Travelers Rest, SC 29690

Model No.
B-0536

Item No.

Travelers Rest, SC: 800-476-4103 • Simi Valley, CA: 800-423-0150 • Fax: 864-834-3518 • www.tsbrass.com

ITEM NO.	SALES NO.	DESCRIPTION
1	000398-40	Rigid Gooseneck
2	001043-45	Washer
3	B-0103	Rosespray Outlet



Product Specifications:
 Wall Mount Rigid Gooseneck w/ Rosespray Outlet
 & 1/2" Female Thread Inlet

Drawn DHL	Checked DMH	Approved JHB
Scale: NTS		Date: 08/29/12