



T&S BRASS AND BRONZE WORKS, INC.

2 Saddleback Cove / P.O. Box 1088
 Travelers Rest, SC 29690



REG. #A2601
 ISO #9001

Model No.

B-0512

Item No.

Travelers Rest, SC: 800-476-4103 • Simi Valley, CA: 800-423-0150 • Fax: 864-834-3518 • www.tsbrass.com

This Space for Architect/Engineer Approval

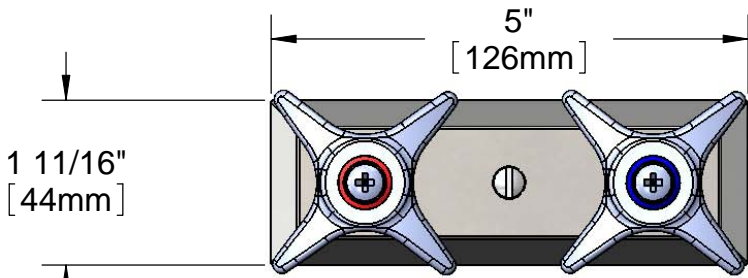
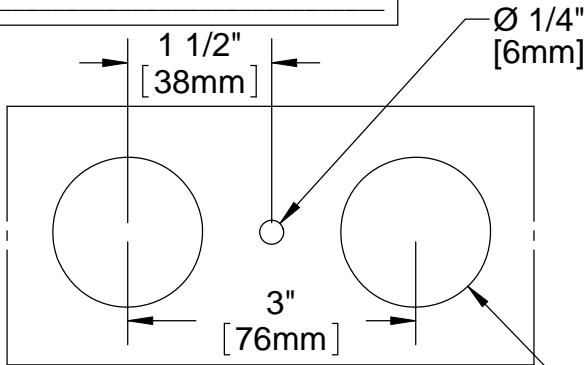
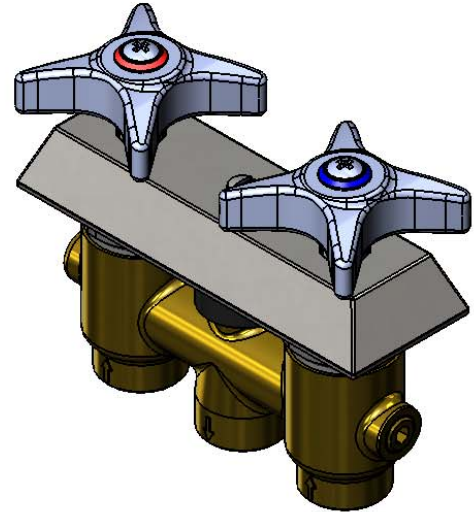
Job Name _____ Date _____

Model Specified _____ Quantity _____

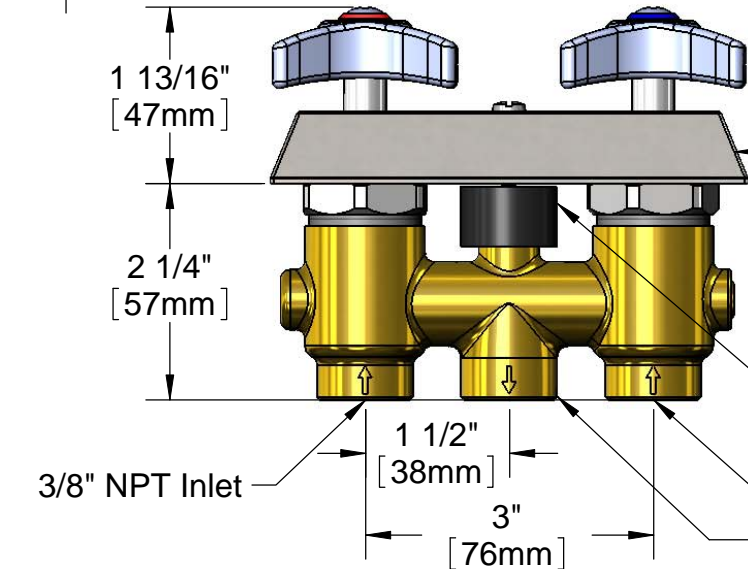
Customer/Wholesaler _____

Contractor _____

Architect/Engineer _____



Ø 1 9/16" [40mm]
 (2 Plcs)
 Cutouts For
 Faucet
 Installation



Escutcheon

Delrin Spacer Holds
 Escutcheon Tightly
 to Mounting Surface.



Product Specifications:
 Concealed Mixing Faucet
 w/ 4-Arm Handles

Drawn DHL	Checked JRM	Approved JHB
Scale: 1:2		Date: 03/22/11



T&S BRASS AND BRONZE WORKS, INC.

2 Saddleback Cove / P.O. Box 1088
 Travelers Rest, SC 29690



REG. #A2601
 ISO #9001

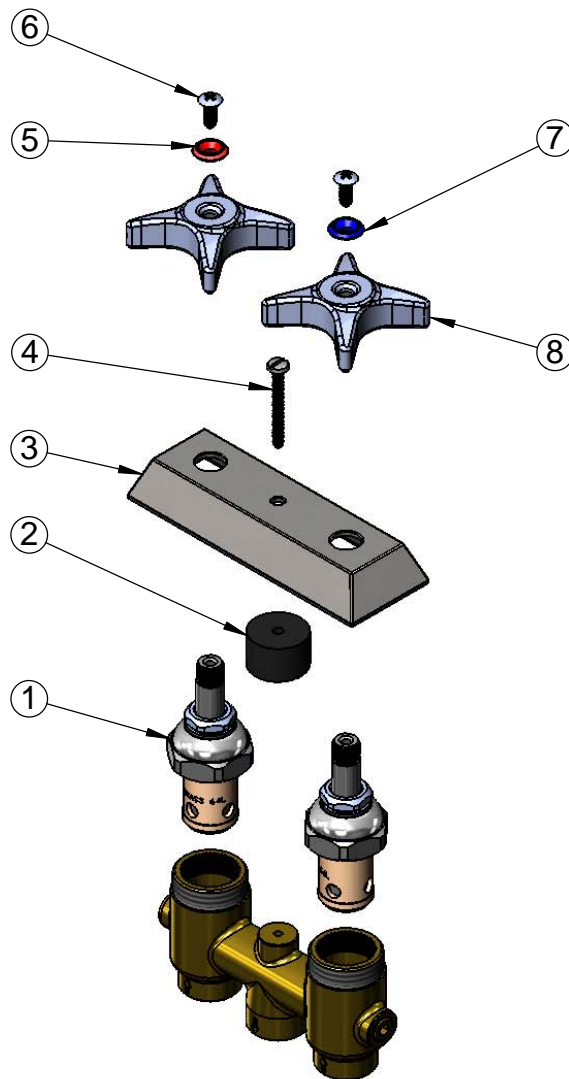
Model No.

B-0512

Item No.

Travelers Rest, SC: 800-476-4103 • Simi Valley, CA: 800-423-0150 • Fax: 864-834-3518 • www.tsbrass.com

ITEM NO.	SALES NO.	DESCRIPTION
1	006020-40	Spindle Assembly, Hot B-0512
2	015986-45	Spacer
3	000020-40	Escutcheon
4	002819-45	Screw
5	001661-45	Red Index-HW
6	000922-45	Lever Handle Screw
7	001660-45	Blue Index-CW
8	002521-45	4-Arm Handle



Product Specifications:
 Concealed Mixing Faucet
 w/ 4-Arm Handles

Drawn DHL	Checked JRM	Approved JHB
Scale: NTS		Date: 03/22/11