



T&S BRASS AND BRONZE WORKS, INC.
 2 Saddleback Cove / P.O. Box 1088
 Travelers Rest, SC 29690

Model No.
B-0502

Item No.

Travelers Rest, SC: 800-476-4103 • Simi Valley, CA: 800-423-0150 • Fax: 864-834-3518 • www.tsbrass.com

This Space for Architect/Engineer Approval

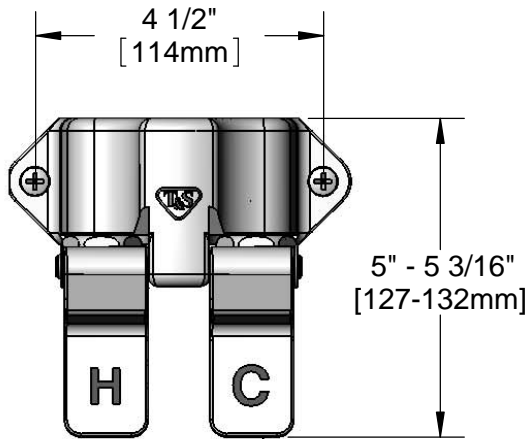
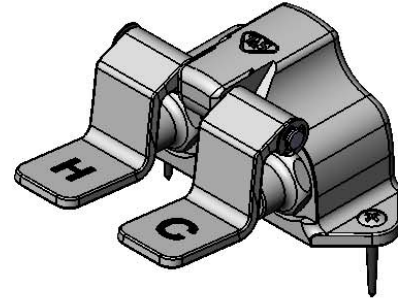
Job Name _____ Date _____

Model Specified _____ Quantity _____

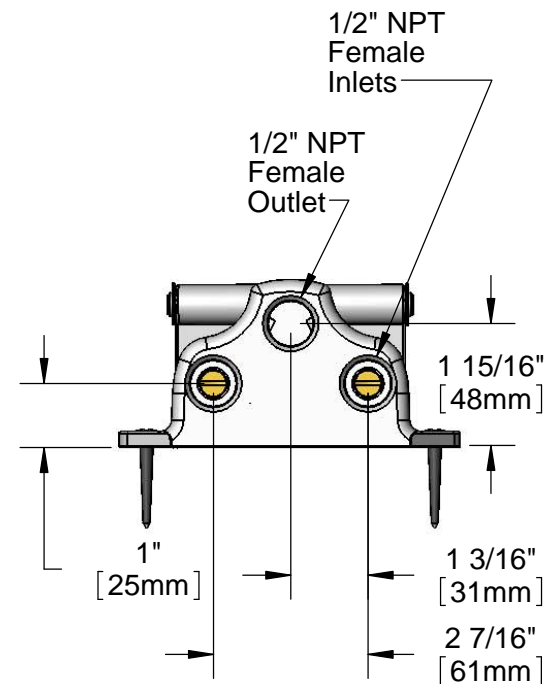
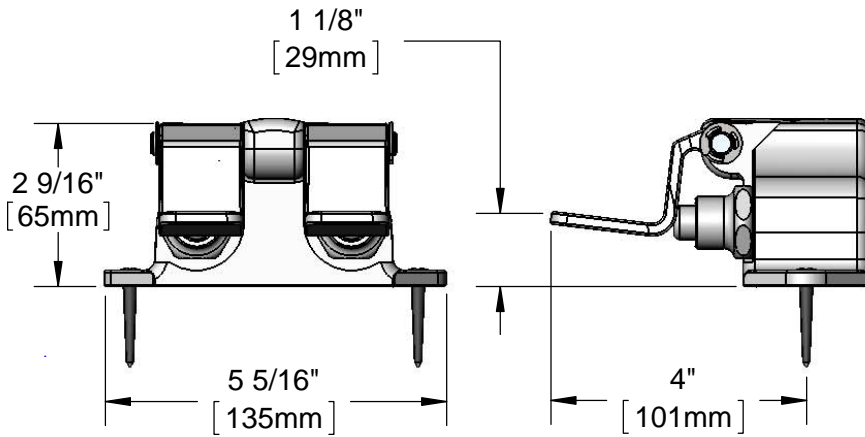
Customer/Wholesaler _____

Contractor _____

Architect/Engineer _____



Chrome Plated Brass Foot Pedals



Product Specifications:
 Double Pedal Valve
 1/2" NPT Female Inlets & Outlet

Drawn DHL	Checked DMH	Approved JHB
Scale: 1:3		Date: 02/11/13



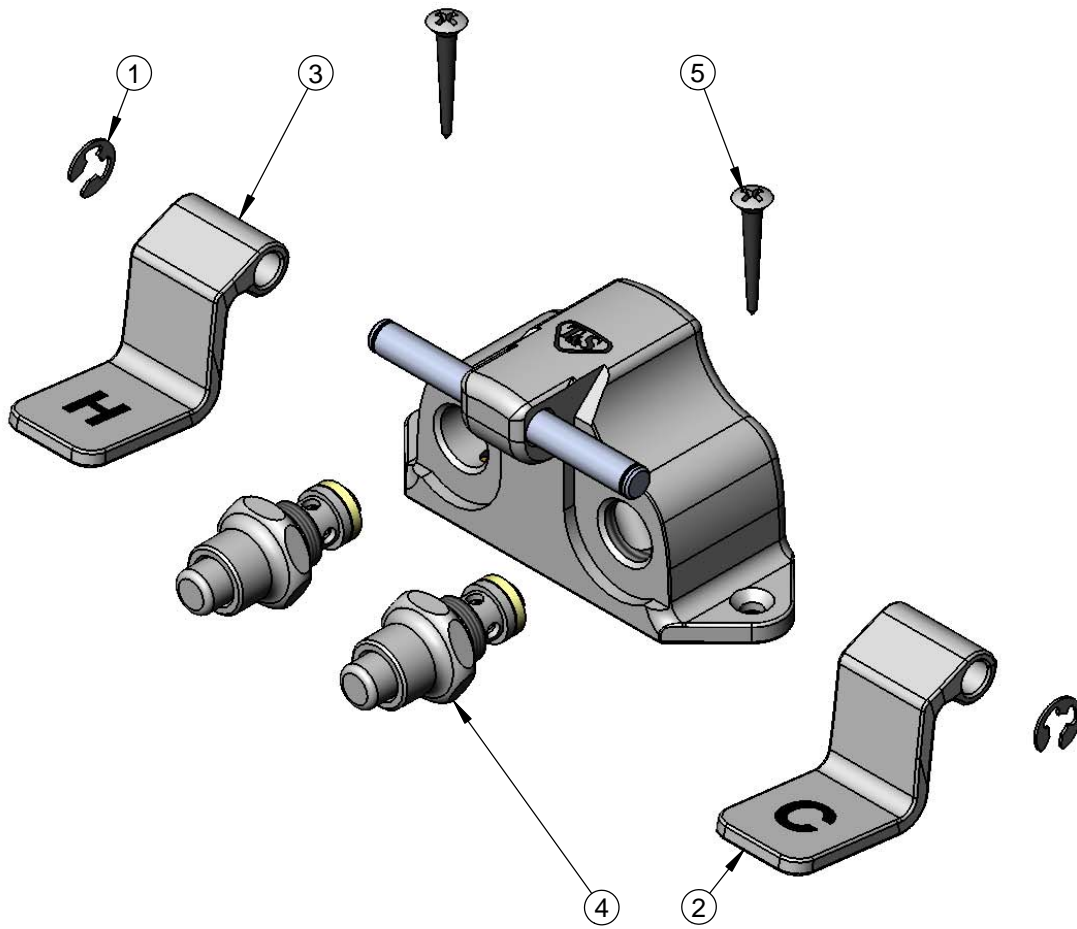
T&S BRASS AND BRONZE WORKS, INC.
 2 Saddleback Cove / P.O. Box 1088
 Travelers Rest, SC 29690

Model No.
B-0502

Item No.

Travelers Rest, SC: 800-476-4103 • Simi Valley, CA: 800-423-0150 • Fax: 864-834-3518 • www.tsbrass.com

ITEM NO.	SALES NO.	DESCRIPTION
1	012512-45	E-clip Retaining Ring
2	000091-25	Cold Pedal
3	000092-25	Hot Pedal
4	005312-40	Pedal Valve Bonnet Assembly
5	000915-45	Mounting Screw



Product Specifications:
 Double Pedal Valve
 1/2" NPT Female Inlets & Outlet

Drawn DHL	Checked DMH	Approved JHB
Scale: NTS		Date: 02/11/13