



T&S BRASS AND BRONZE WORKS, INC.

2 Saddleback Cove / P.O. Box 1088
Travelers Rest, SC 29690

Model No.

B-0455

Item No.

Travelers Rest, SC: 800-476-4103 • Simi Valley, CA: 800-423-0150 • Fax: 864-834-3518 • www.tsbrass.com

This Space for Architect/Engineer Approval

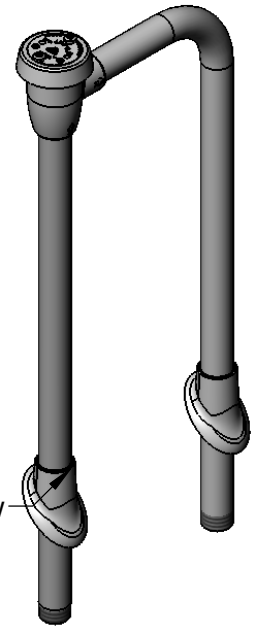
Job Name _____ Date _____

Model Specified _____ Quantity _____

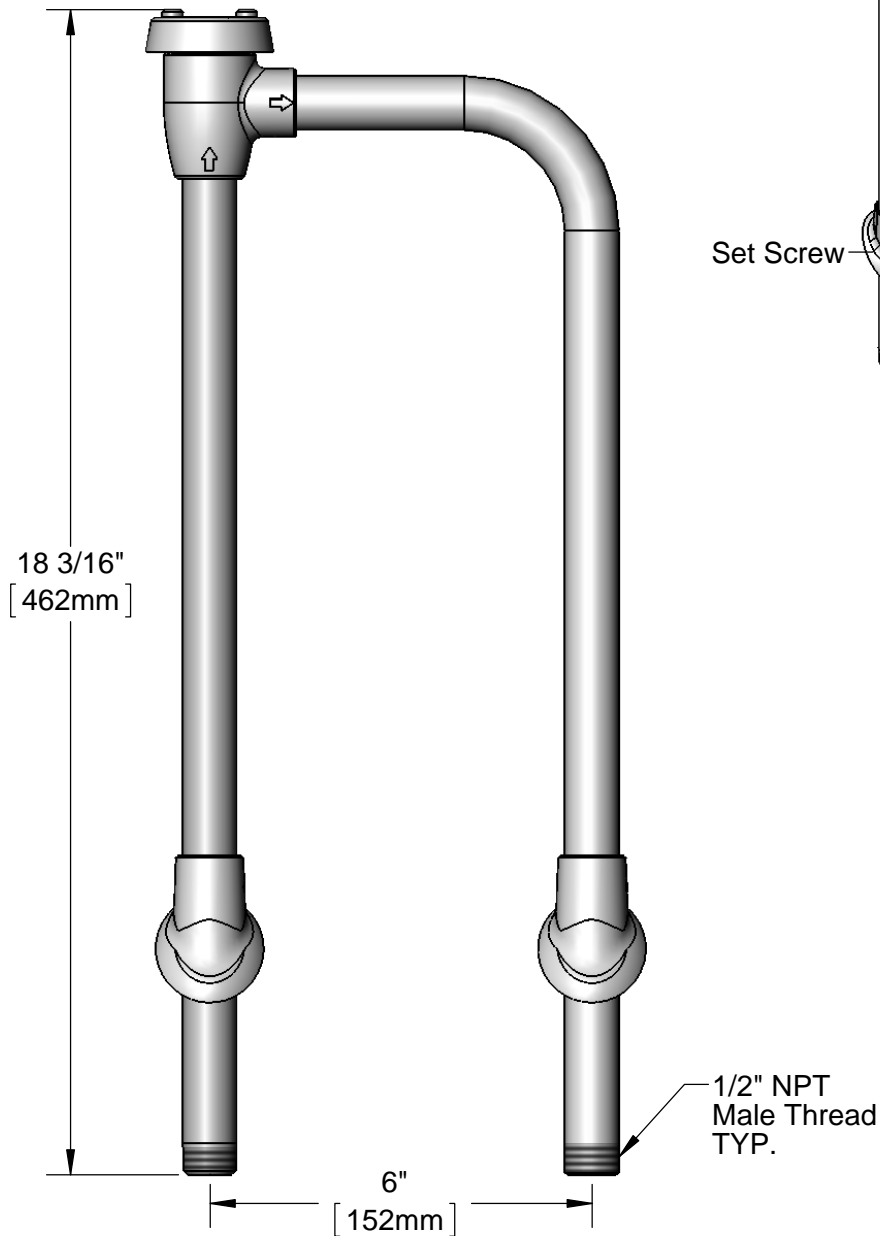
Customer/Wholesaler _____

Contractor _____

Architect/Engineer _____



Set Screw



Note:
Pipe Must be Held
Rigid Under Sink by
Connection Fittings,
Brace, Etc.

Rough-In Requirement:
(2) Ø1 1/4" [32mm]
Hole in Center of 45°
Return to Slip 1/2" Pipe

Product Specifications:
1/2" NPT Vacuum Breaker Unit

Drawn

DHL

Checked

JRM

Approved

JHB

Scale:

1:3

Date:

08/02/12