



T&S BRASS AND BRONZE WORKS, INC.

2 SADDLEBACK COVE / P.O. BOX 1088 / TRAVELERS REST, SC 29690

PHONE 800-476-4103

FAX 864- 834-3518



REG. #A2601  
ISO #9002

Model No.

B-0345-LN

Item No.:

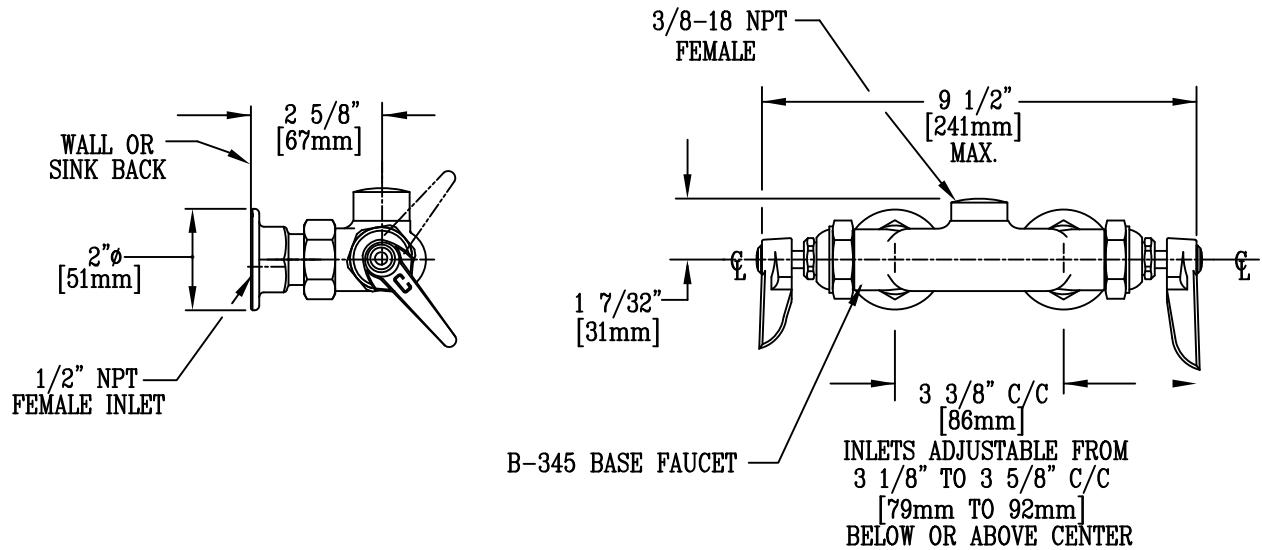
Job Name:

Architect/Engineer Approval:

Notes:



ADA COMPLIANT



NSF STANDARD 61, SECTION 9 CERTIFIED.

Product Description:

Drawn:

Checked

Scale:

MCW

ARD

3" = 1'

Approved

Date:

CA

7-17-95

COMBINATION SINK FAUCET "LESS GOOSENECK",  
w/ ADJUSTABLE OAAA INLET FLANGES