



T&S BRASS AND BRONZE WORKS, INC.

2 Saddleback Cove / P.O. Box 1088
Travelers Rest, SC 29690

Model No.

B-0340

Item No.

Travelers Rest, SC: 800-476-4103 • Simi Valley, CA: 800-423-0150 • Fax: 864-834-3518 • www.tsbrass.com



ADA Compliant

This Space for Architect/Engineer Approval

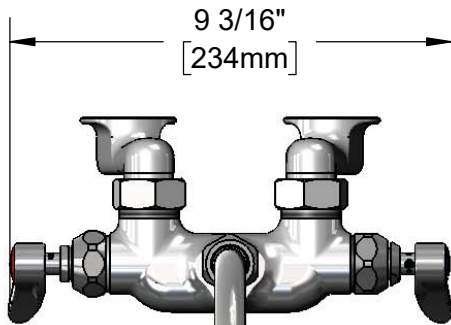
Job Name _____ Date _____

Model Specified _____ Quantity _____

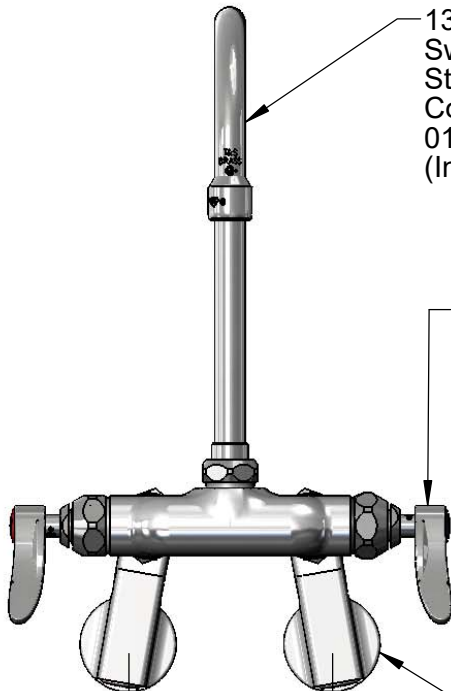
Customer/Wholesaler _____

Contractor _____

Architect/Engineer _____



9 3/16"
[234mm]



133X
Swivel Gooseneck w/
Stream Regulator Outlet.
Converts to Rigid w/
014200-45 Lock Washer
(Included)

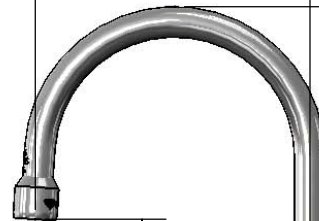
Quarter-Turn Eterna
Cartridges w/ Spring
Checks & Lever Handles
w/ Color Coded Indexes

Ø 2" [51mm] Wall
Flanges w/ 1/2" NPT
Female Inlets

Adjustable
from
2 1/4" to 8 1/4"
[57mm to 210mm]
Above or Below Centerline

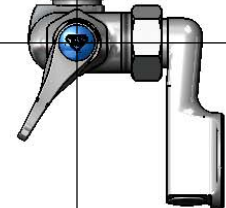


5 3/4"
[145mm]



6 1/2"
[162mm]

10 13/16"
[275mm]



3 1/16"
[77mm]

Mounting Surface

Product Specifications:

Wall Mount Mixing Faucet, Quarter-Turn Eterna Cartridges w/ Spring Checks, Lever Handles, 5 3/4" Swivel/Rigid Gooseneck w/ Stream Regulator Outlet & 1/2" NPT Female Adjustable Arm Inlets

Product Compliance:

ASME A112.18.1 / CSA B125.1
NSF 61 - Section 9
NSF 372 (Low Lead Content)
ANSI A117.1 (ADA)



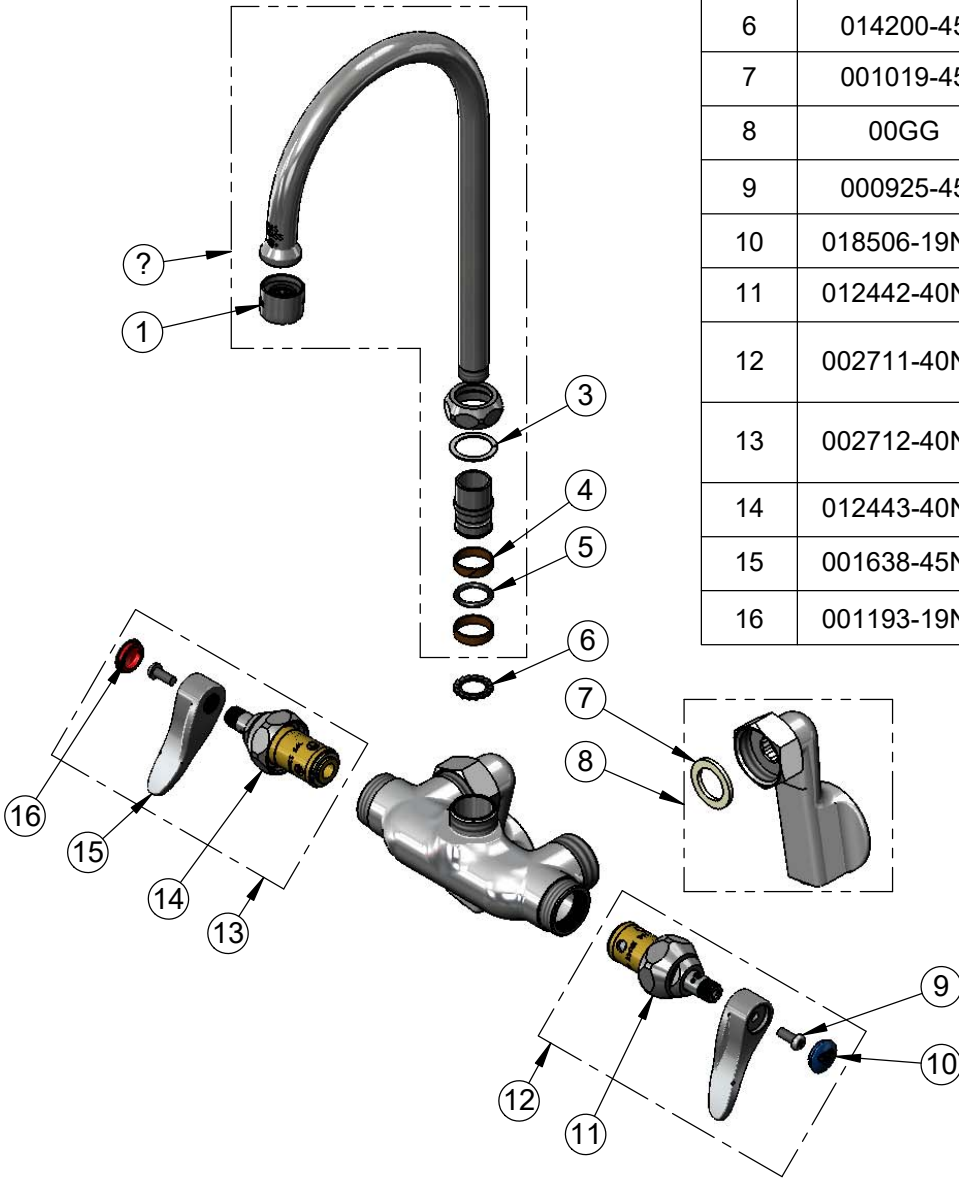
T&S BRASS AND BRONZE WORKS, INC.
 2 Saddleback Cove / P.O. Box 1088
 Travelers Rest, SC 29690

Model No.
B-0340

Item No.

Travelers Rest, SC: 800-476-4103 • Simi Valley, CA: 800-423-0150 • Fax: 864-834-3518 • www.tsbrass.com

| ITEM NO. | SALES NO. | DESCRIPTION |
|----------|-------------|--|
| 1 | B-PT | Full Flow Stream Regulator, 55/64-27 |
| 2 | 133X | 6" Swivel Gooseneck w/ Stream Regulator |
| 3 | 009538-45 | Swivel Washer |
| 4 | 011429-45 | Swivel Sleeves (2) |
| 5 | 001074-45 | O-Ring |
| 6 | 014200-45 | Star Washer, Anti-Rotation |
| 7 | 001019-45 | Coupling Nut Washer |
| 8 | 00GG | 1/2" NPT Female Adjustable Arm Inlet Flange |
| 9 | 000925-45 | Lab Handle Screw |
| 10 | 018506-19NS | Blue Button Index, Press-in |
| 11 | 012442-40NS | Quarter-Turn Eterna Cartridge w/ Spring Check, LTC |
| 12 | 002711-40NS | Quarter-Turn Eterna Cartridge w/ Spring Check, Handle, Blue Index & Screw, LTC |
| 13 | 002712-40NS | Quarter-Turn Eterna Cartridge w/ Spring Check, Handle, Red Index & Screw, RTC |
| 14 | 012443-40NS | Quarter-Turn Eterna Cartridge w/ Spring Check, RTC |
| 15 | 001638-45NS | Lever Handle (New Style) |
| 16 | 001193-19NS | Red Button Index, Press-in |



Product Specifications:
 Wall Mount Mixing Faucet, Quarter-Turn Eterna Cartridges w/ Spring Checks, Lever Handles, 5 3/4" Swivel/Rigid Gooseneck w/ Stream Regulator Outlet & 1/2" NPT Female Adjustable Arm Inlets

Product Compliance:
 ASME A112.18.1 / CSA B125.1
 NSF 61 - Section 9
 NSF 372 (Low Lead Content)
 ANSI A117.1 (ADA)