



T&S BRASS AND BRONZE WORKS, INC.

2 Saddleback Cove / P.O. Box 1088
Travelers Rest, SC 29690

Model No.
B-0331-VF035-EL

Item No.

Travelers Rest, SC: 800-476-4103 • Simi Valley, CA: 800-423-0150 • Fax: 864-834-3518 • www.tsbrass.com



ADA Compliant

This Space for Architect/Engineer Approval

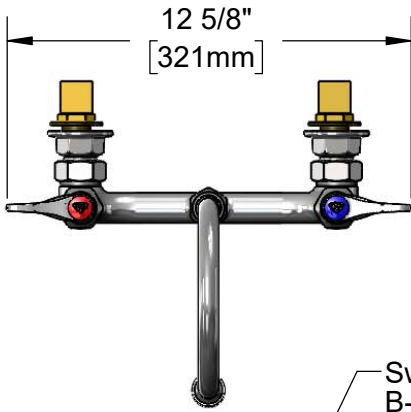
Job Name _____ Date _____

Model Specified _____ Quantity _____

Customer/Wholesaler _____

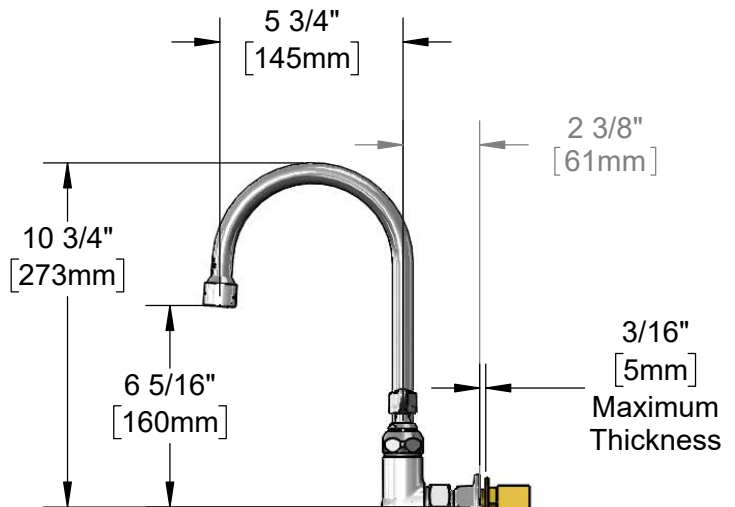
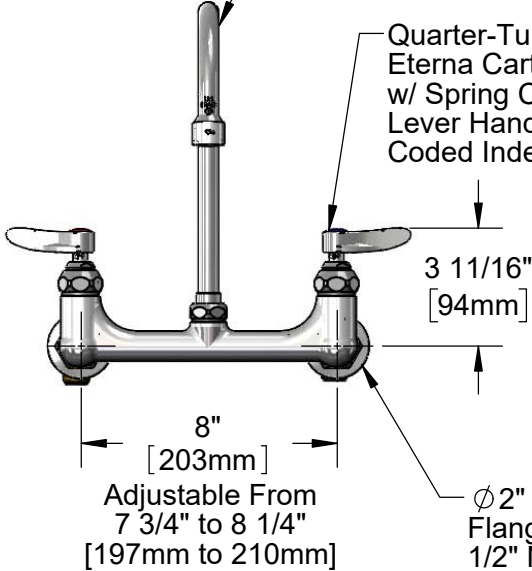
Contractor _____

Architect/Engineer _____



Swivel Gooseneck w/
B-0199-06-N035
0.35 GPM Vandal
Resistant Non-Aerated
Spray Device
Converts to Rigid w/
014200-45
Lock Washer (Included).

Quarter-Turn
Eterna Cartridges
w/ Spring Checks &
Lever Handles w/ Color
Coded Indexes



Mounting Surface

B-0230-K
Installation Kit
w/ 1/2" NPT
Male Inlets

Rough-In Requirement:
(2) ϕ 1" [25mm] Mounting Holes

Product Specifications:
8" Wall Mount Mixing Faucet, Quarter-Turn Eterna Cartridges w/ Spring Checks, Lever Handles, Swivel/Rigid Gooseneck w/ 0.35 GPM Vandal Resistant Non-Aerated Spray Device & 1/2" NPT Male Elbow Installation Kit

Product Compliance:
ASME A112.18.1 / CSA B125.1
NSF 61 - Section 9
NSF 372 (Low Lead Content)
ANSI A117.1 (ADA)



T&S BRASS AND BRONZE WORKS, INC.

2 Saddleback Cove / P.O. Box 1088
Travelers Rest, SC 29690

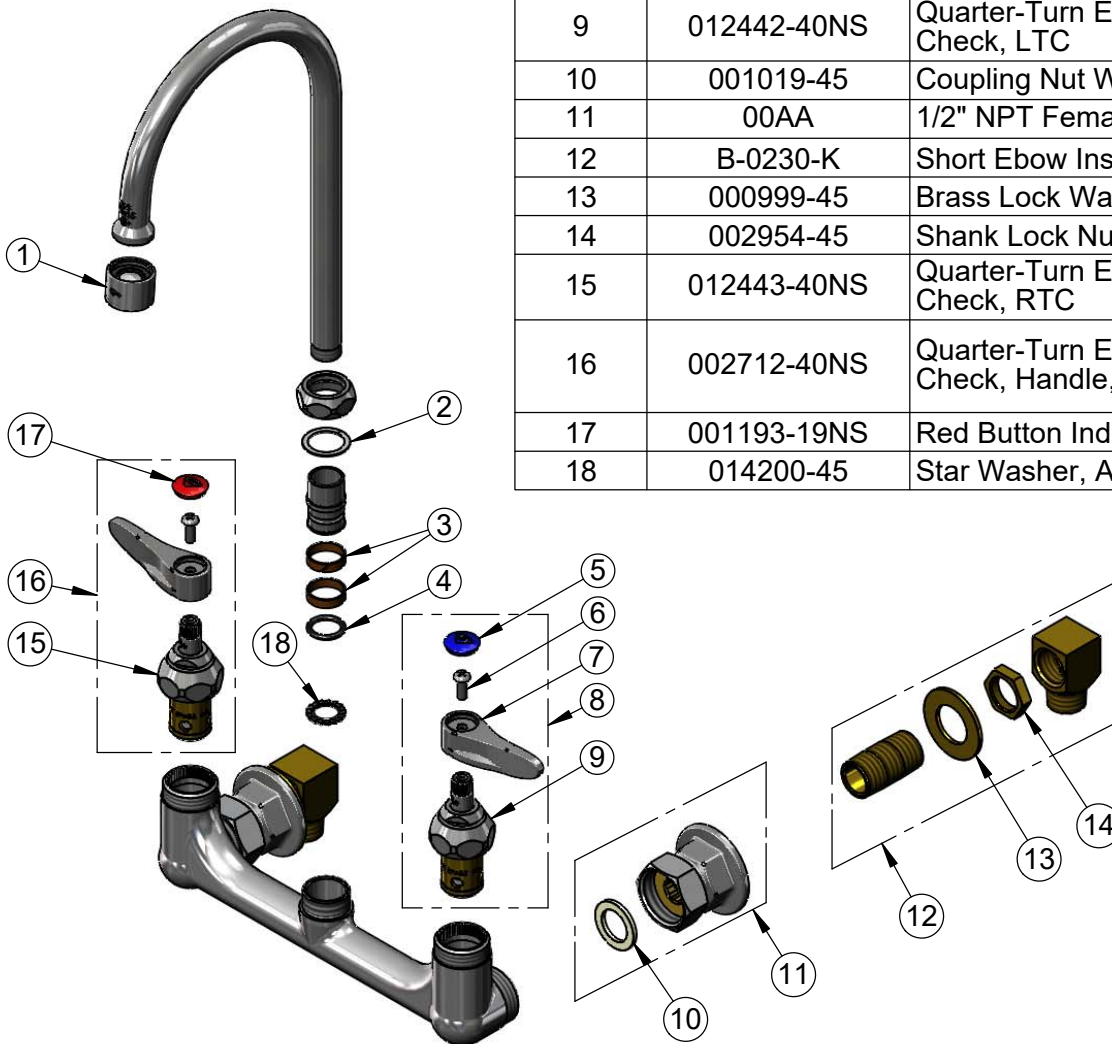
Model No.

B-0331-VF035-EL

Item No.

Travelers Rest, SC: 800-476-4103 • Simi Valley, CA: 800-423-0150 • Fax: 864-834-3518 • www.tsbrass.com

ITEM NO.	SALES NO.	DESCRIPTION
1	B-0199-06-N035	VR 0.35 GPM Non-Aerated Spray Device
2	009538-45	Swivel Washer
3	011429-45	Swivel Sleeves (2)
4	001074-45	O-Ring
5	018506-19NS	Blue Button Index, Press-in
6	000925-45	Lab Handle Screw
7	001638-45NS	Lever Handle (New Style)
8	002711-40NS	Quarter-Turn Eterna Cartridge w/ Spring Check, Handle, Blue Index & Screw, LTC
9	012442-40NS	Quarter-Turn Eterna Cartridge w/ Spring Check, LTC
10	001019-45	Coupling Nut Washer
11	00AA	1/2" NPT Female Eccentric Flange
12	B-0230-K	Short Elbow Installation Kit
13	000999-45	Brass Lock Washer
14	002954-45	Shank Lock Nut
15	012443-40NS	Quarter-Turn Eterna Cartridge w/ Spring Check, RTC
16	002712-40NS	Quarter-Turn Eterna Cartridge w/ Spring Check, Handle, Red Index & Screw, RTC
17	001193-19NS	Red Button Index, Press-in
18	014200-45	Star Washer, Anti-Rotation



015425-45
Vandal Resistant Key

Product Specifications:

8" Wall Mount Mixing Faucet, Quarter-Turn Eterna Cartridges w/ Spring Checks, Lever Handles, Swivel/Rigid Gooseneck w/ 0.35 GPM Vandal Resistant Non-Aerated Spray Device & 1/2" NPT Male Elbow Installation Kit

Product Compliance:

ASME A112.18.1 / CSA B125.1
NSF 61 - Section 9
NSF 372 (Low Lead Content)
ANSI A117.1 (ADA)