



T&S BRASS AND BRONZE WORKS, INC.

2 SADDLEBACK COVE / P.O. BOX 1088 / TRAVELERS REST, SC 29690

PHONE 800-476-4103

FAX 864-834-3518



REG.#A2601
ISO #9002

Model No.

B-0325-LN

Item No.:

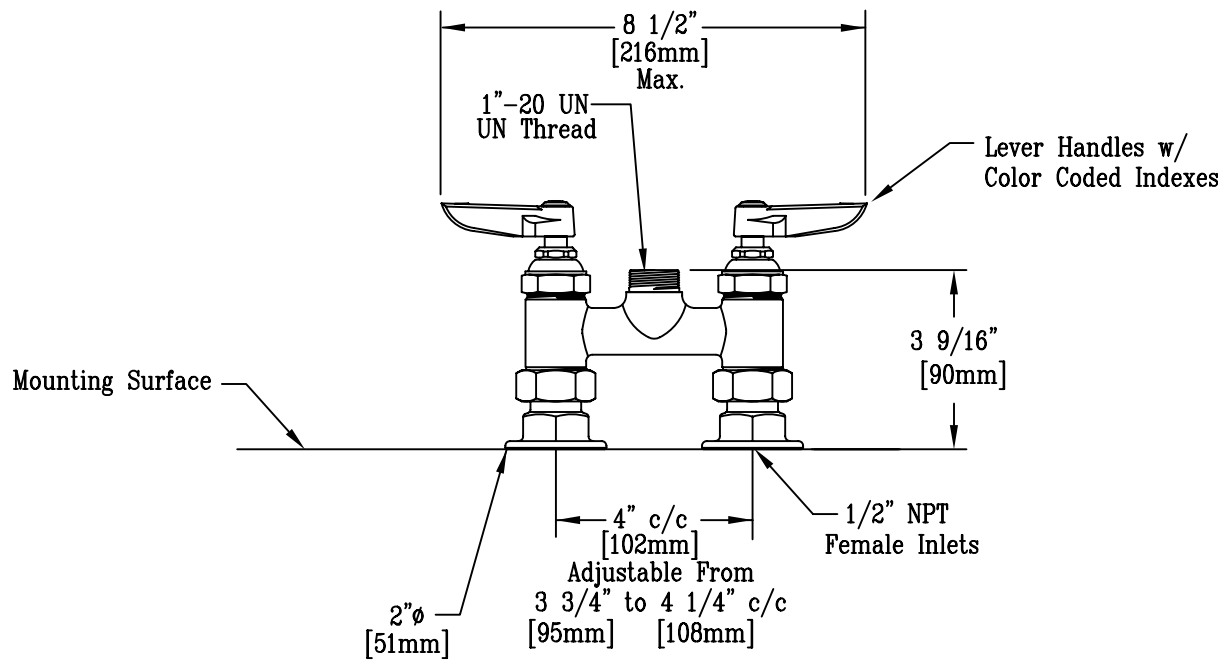
Job Name:

Architect/Engineer Approval:

Notes:



ADA COMPLIANT



Notes:

- 1. Also Available w/ B-WH4 or B-WH6 Wrist Action Handles.

Product Description:
4" c/c Swivel Deck Mount Faucet
Less Nozzle

Drawn:	Checked:	Scale:
DHL	JRM	1:4
Approved:	Date:	
JHB	3/20/08	