



**T&S BRASS AND BRONZE WORKS, INC.**  
 2 Saddleback Cove / P.O. Box 1088  
 Travelers Rest, SC 29690

Model No.  
**B-0322-04**

Item No.

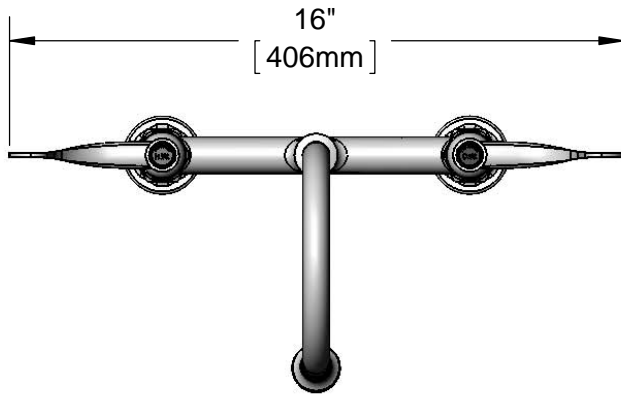
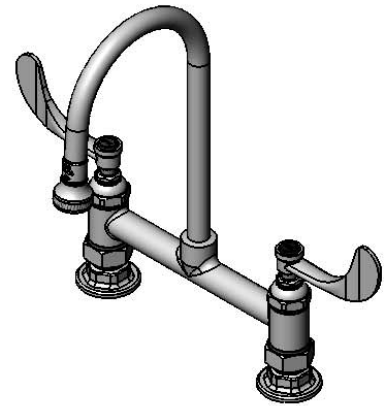
Travelers Rest, SC: 800-476-4103 • Simi Valley, CA: 800-423-0150 • Fax: 864-834-3518 • www.tsbrass.com

This Space for Architect/Engineer Approval

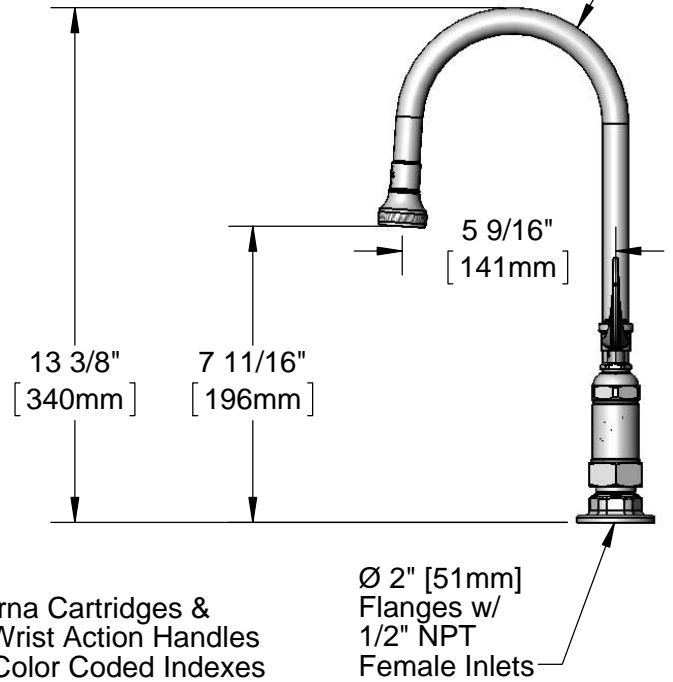
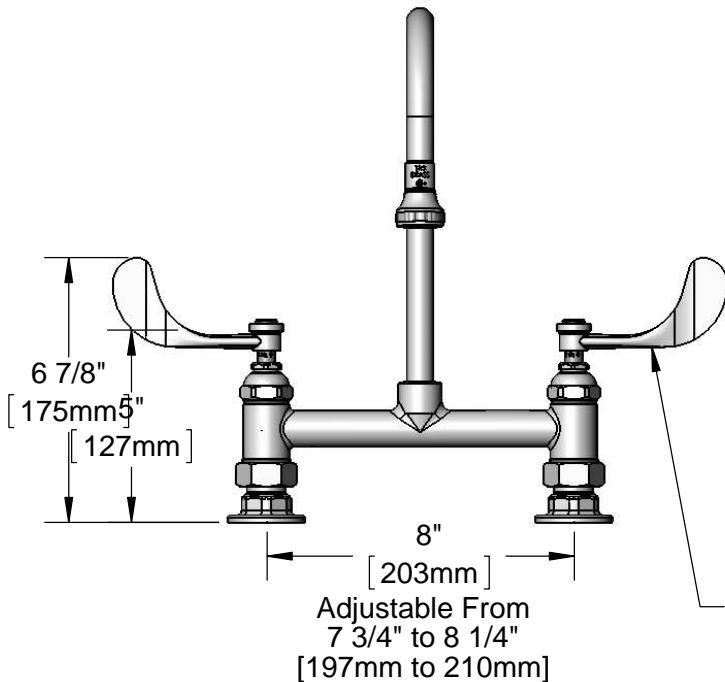
Job Name \_\_\_\_\_ Date \_\_\_\_\_  
 Model Specified \_\_\_\_\_ Quantity \_\_\_\_\_  
 Customer/Wholesaler \_\_\_\_\_  
 Contractor \_\_\_\_\_  
 Architect/Engineer \_\_\_\_\_



**ADA Compliant**



5 1/2" Spread Rigid  
 Gooseneck w/  
 Rosespray Outlet



Product Specifications:

8" Deck Mount Mixing Faucet w/ Eterna Cartridges, 4" Wrist Action Handles, 5 1/2" Spread Rigid Gooseneck w/ Rosespray & 1/2" NPT Female Inlets

Drawn <b>DHL</b>	Checked <b>DMH</b>	Approved <b>JHB</b>
Scale: <b>1:5</b>		Date: <b>11/02/12</b>

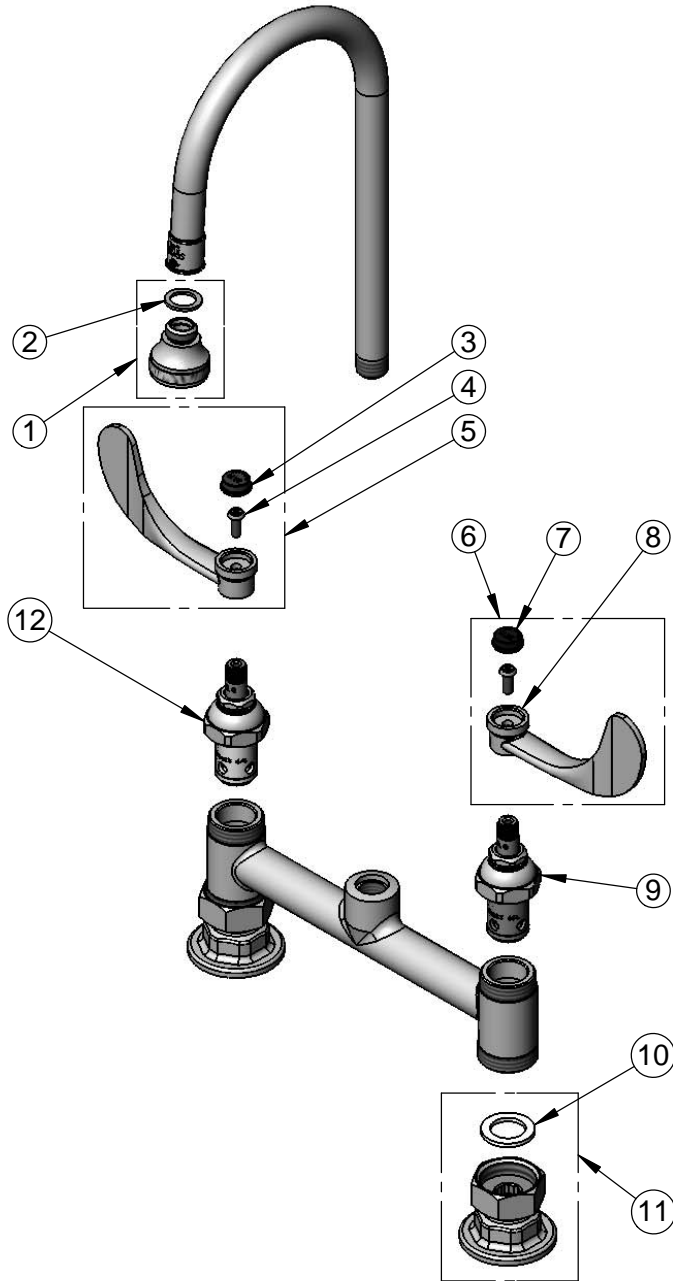


**T&S BRASS AND BRONZE WORKS, INC.**  
 2 Saddleback Cove / P.O. Box 1088  
 Travelers Rest, SC 29690

Model No.  
**B-0322-04**

Item No.

Travelers Rest, SC: 800-476-4103 • Simi Valley, CA: 800-423-0150 • Fax: 864-834-3518 • www.tsbrass.com



ITEM NO.	SALES NO.	DESCRIPTION
1	B-0103	Rosespray w/ Washer
2	001043-45	Washer
3	001194-45	Red HW Index
4	000925-45	Lab Handle Screw
5	B-WH4H	4" Wrist Action Handle, Screw & Hot Index
6	B-WH4C	4" Wrist Action Handle, Screw & Cold Index
7	001686-45	Blue CW Index
8	B-WH4	4" Wrist Action Handle
9	006009-40	Eterna Cartridge, LTC (Teflon)
10	001019-45	Coupling Nut Washer
11	00AA	1/2" NPT Female Eccentric Flange
12	006010-40	Eterna Cartridge, RTC (Teflon)

Product Specifications:  
 8" Deck Mount Mixing Faucet w/ Eterna Cartridges, 4" Wrist Action Handles, 5 1/2" Spread Rigid Gooseneck w/ Rosespray & 1/2" NPT Female Inlets

Drawn <b>DHL</b>	Checked <b>DMH</b>	Approved <b>JHB</b>
Scale: <b>NTS</b>		Date: <b>11/02/12</b>