



T&S BRASS AND BRONZE WORKS, INC.

2 Saddleback Cove / P.O. Box 1088
Travelers Rest, SC 29690

Model No.

B-0300-A16-WD

Item No.

Travelers Rest, SC: 800-476-4103 • Simi Valley, CA: 800-423-0150 • Fax: 864-834-3518 • www.tsbrass.com

This Space for Architect/Engineer Approval

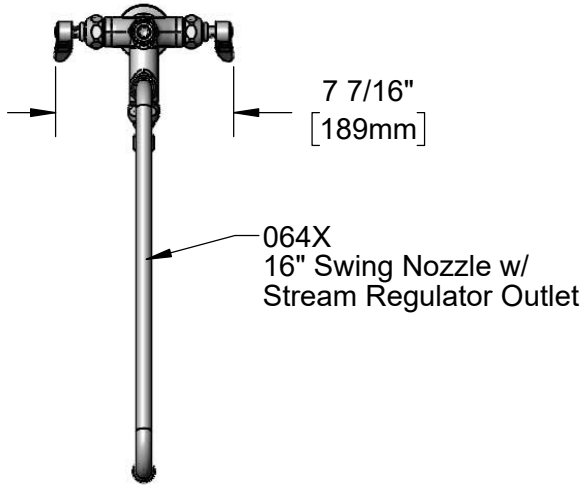
Job Name _____ Date _____

Model Specified _____ Quantity _____

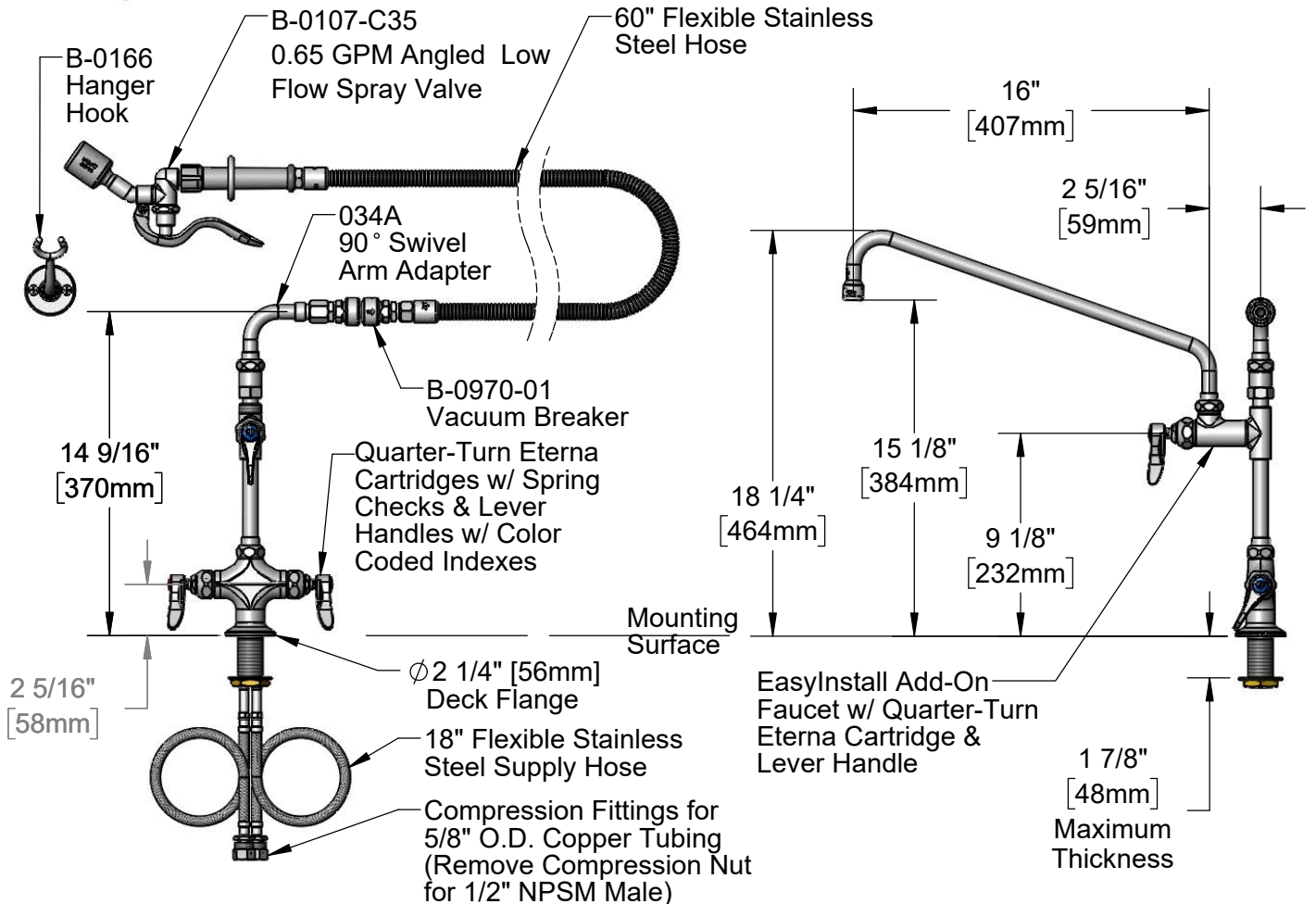
Customer/Wholesaler _____

Contractor _____

Architect/Engineer _____



064X
16" Swing Nozzle w/
Stream Regulator Outlet



Rough-In Requirements:
Ø 1 1/2" [38mm] Mounting Hole

Product Specifications:

Double Pantry Deck Mount Faucet, Quarter-Turn Eterna Cartridges w/ Spring Checks, Add-On Faucet, 16" Swing Nozzle, Stream Regulator Outlet, 0.65 GPM Low Flow Angled Spray Valve, 60" Flexible Stainless Steel Hose, Vacuum Breaker, & Flexible Stainless Steel Supply Hoses

Product Compliance:

ASME A112.18.1 / CSA B125.1
NSF 61 - Section 9
NSF 372 (Low Lead Content)
2019 DOE PRSV - Class I
CSA B64.8 (VB)



T&S BRASS AND BRONZE WORKS, INC.

2 Saddleback Cove / P.O. Box 1088
Travelers Rest, SC 29690

Model No.

B-0300-A16-WD

Item No.

Travelers Rest, SC: 800-476-4103 • Simi Valley, CA: 800-423-0150 • Fax: 864-834-3518 • www.tsbrass.com

ITEM NO.	SALES NO.	DESCRIPTION	Exploded View Diagram		
			1	2	3
1	B-0107-C35	0.65 GPM Low Flow Angled Spray Valve			
2	010476-45	#27 Washer			
3	000907-45	Spray Valve Hold Down Ring			
4	B-0060-H	60" Flexible Stainless Steel Hose			
5	034A	Swivel Adapter, 90°			
6	B-0970-01	Vacuum Breaker			
7	054X	Swivel Body			
8	002341-40	Nipple, 3/8" NPT x 1-1/2"			
9	B-0155-05LN	Add-On Faucet, Less Nozzle			
10	EZ-K	EasyInstall Kit			
11	001065-45	O-Ring			
12	014200-45	Star Washer, Anti-Rotation			
13	012442-40NS	Quarter-Turn Eterna Cartridge w/ Spring Check, LTC			
14	002711-40NS	Quarter-Turn Eterna Cartridge w/ Spring Check, Handle, Blue Index & Screw, LTC			
15	000925-45	Lab Handle Screw			
16	018506-19NS	Blue Button Index, Press-in			
17	002290-45	Lock Washer			
18	000965-45	Lock Nut			
19	012534-45	18" Flexible Supply Hose (2)			
20	012443-40NS	Quarter-Turn Eterna Cartridge w/ Spring Check, RTC			
21	002712-40NS	Quarter-Turn Eterna Cartridge w/ Spring Check, Handle, Red Index & Screw, RTC			
22	001638-45NS	Lever Handle (New Style)			
23	001193-19NS	Red Button Index, Press-in			
24	064X	16" Swing Nozzle			
25	B-PT	Full Flow Stream Regulator, 55/64-27			
26	B-0166	Hangar Hook			

Product Specifications:
 Double Pantry Deck Mount Faucet, Quarter-Turn Eterna Cartridges w/ Spring Checks, Add-On Faucet, 16" Swing Nozzle, Stream Regulator Outlet, 0.65 GPM Low Flow Angled Spray Valve, 60" Flexible Stainless Steel Hose, Vacuum Breaker, & Flexible Stainless Steel Supply Hoses

Product Compliance:
 ASME A112.18.1 / CSA B125.1
 NSF 61 - Section 9
 NSF 372 (Low Lead Content)
 2019 DOE PRSV - Class I
 CSA B64.8 (VB)