



T&S BRASS AND BRONZE WORKS, INC.
 2 Saddleback Cove / P.O. Box 1088
 Travelers Rest, SC 29690

Model No.
B-0230-0CS8-CR

Item No.

Travelers Rest, SC: 800-476-4103 • Simi Valley, CA: 800-423-0150 • Fax: 864-834-3518 • www.tsbrass.com



ADA Compliant

This Space for Architect/Engineer Approval

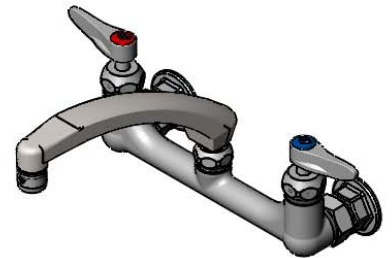
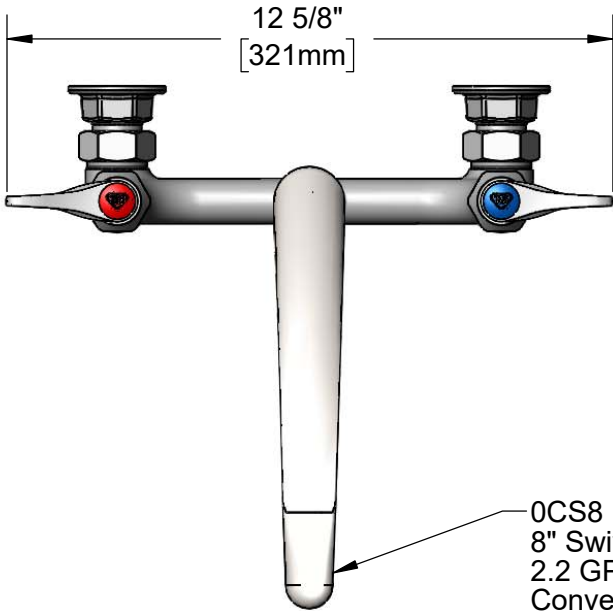
Job Name _____ Date _____

Model Specified _____ Quantity _____

Customer/Wholesaler _____

Contractor _____

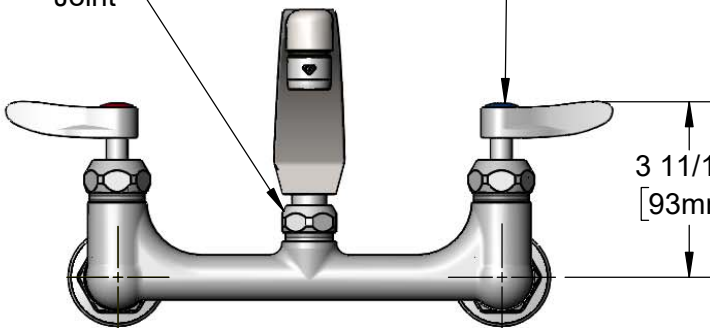
Architect/Engineer _____



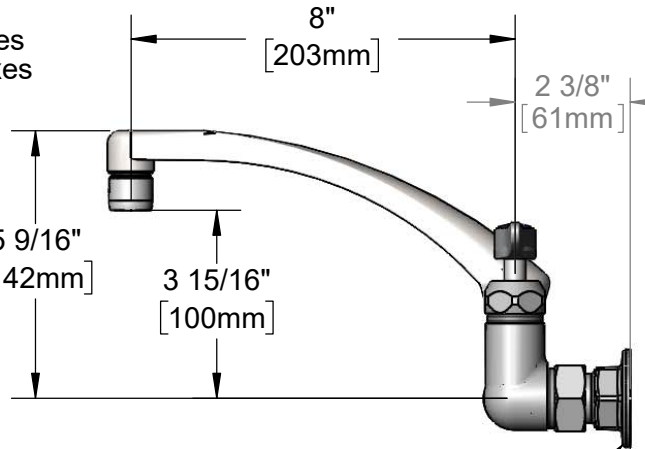
OCS8
 8" Swivel Cast Spout w/
 2.2 GPM Aerator.
 Converts to Rigid w/
 014200-45 Lock Washer
 (Included).

Quarter-Turn Cerama
 Cartridges w/ Check
 Valves & Lever Handles
 w/ Color Coded Indexes

Swivel
 Joint



Adjustable from
 7 3/4" to 8 1/4"
 [197mm to 210mm]



Ø 2" [51mm]
 Wall Flanges
 w/ 1/2" NPT
 Female Inlets

Mounting Surface

Product Specifications:
 8" Wall Mount Faucet, Quarter-Turn Cerama Cartridges w/ Check Valves,
 8" Swivel Cast Spout w/ 2.2 GPM Aerator & 1/2" NPT Wall Flange Inlets

Product Compliance:
 ASME A112.18.1 / CSA B125.1
 NSF 61 - Section 9
 NSF 372 (Low Lead Content)
 ANSI A117.1 (ADA)



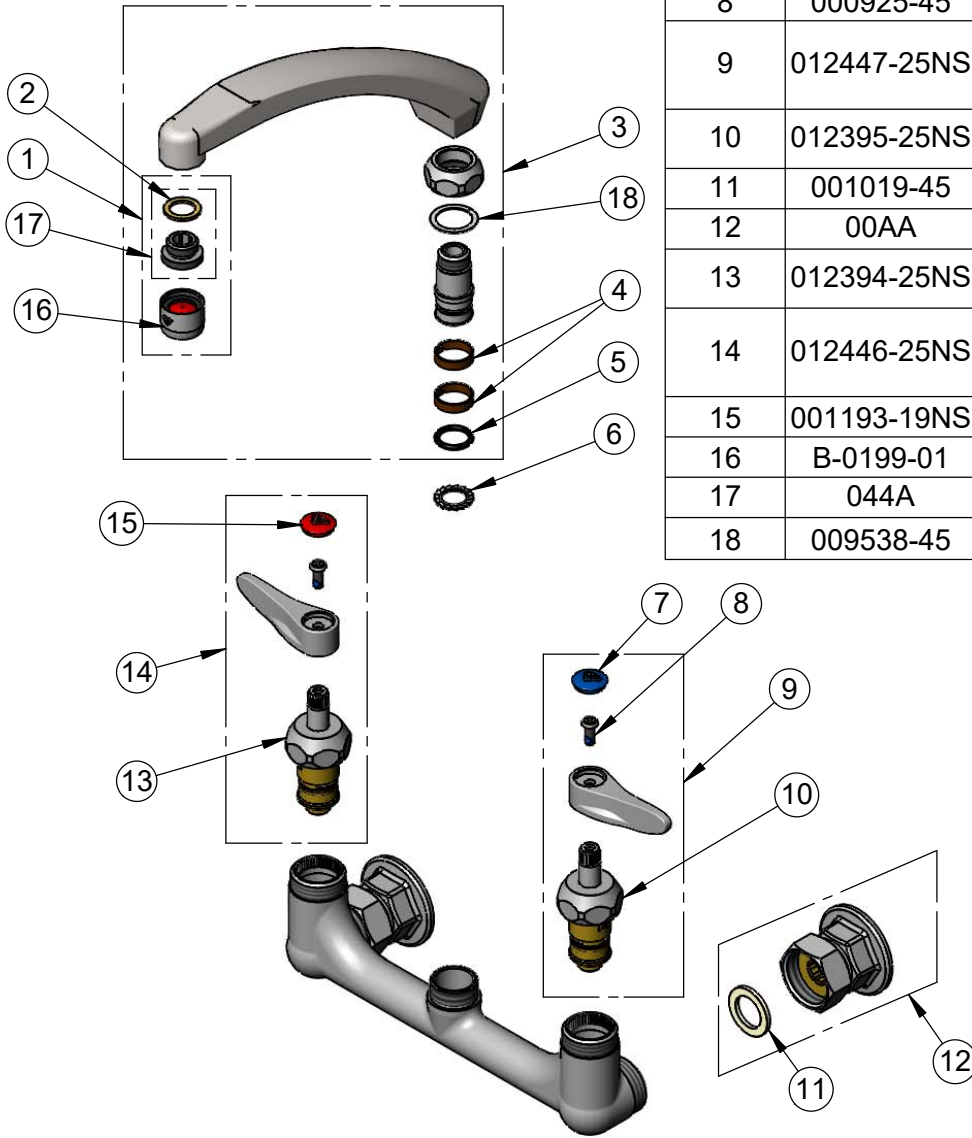
T&S BRASS AND BRONZE WORKS, INC.
 2 Saddleback Cove / P.O. Box 1088
 Travelers Rest, SC 29690

Model No.
B-0230-0CS8-CR

Item No.

Travelers Rest, SC: 800-476-4103 • Simi Valley, CA: 800-423-0150 • Fax: 864-834-3518 • www.tsbrass.com

ITEM NO.	SALES NO.	DESCRIPTION
1	B-0199-02	2.2 GPM Aerator, 3/8" NPSM Male
2	001043-45	Washer
3	0CS8	8" Swivel Cast Spout w/ 2.2 GPM Aerator
4	011429-45	Swivel Sleeves (2)
5	001074-45	O-Ring
6	014200-45	Star Washer, Anti-Rotation
7	018506-19NS	Blue Button Index, Press-in
8	000925-45	Lab Handle Screw
9	012447-25NS	Quarter-Turn Cerama Cartridge w/ Check Valve, Handle, Blue Index & Screw, LTC
10	012395-25NS	Quarter-Turn Cerama Cartridge w/ Check Valve, LTC
11	001019-45	Coupling Nut Washer
12	00AA	1/2" NPT Female Eccentric Flange
13	012394-25NS	Quarter-Turn Cerama Cartridge w/ Check Valve, RTC
14	012446-25NS	Quarter-Turn Cerama Cartridge w/ Check Valve, Handle, Red Index & Screw, RTC
15	001193-19NS	Red Button Index, Press-in
16	B-0199-01	2.2 GPM Aerator, 55/64-27 UN Female
17	044A	3/8" to Aerator Adapter
18	009538-45	Swivel Washer



Product Specifications:
 8" Wall Mount Faucet, Quarter-Turn Cerama Cartridges w/ Check Valves,
 8" Swivel Cast Spout w/ 2.2 GPM Aerator & 1/2" NPT Wall Flange Inlets

Product Compliance:
 ASME A112.18.1 / CSA B125.1
 NSF 61 - Section 9
 NSF 372 (Low Lead Content)
 ANSI A117.1 (ADA)