



T&S BRASS AND BRONZE WORKS, INC.
 2 Saddleback Cove / P.O. Box 1088
 Travelers Rest, SC 29690

Model No.
B-0210-LN

Item No.

Travelers Rest, SC: 800-476-4103 • Simi Valley, CA: 800-423-0150 • Fax: 864-834-3518 • www.tsbrass.com

This Space for Architect/Engineer Approval

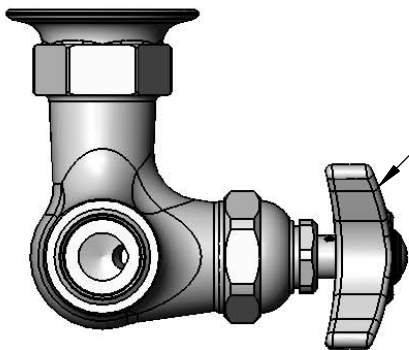
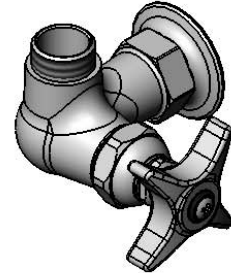
Job Name _____ Date _____

Model Specified _____ Quantity _____

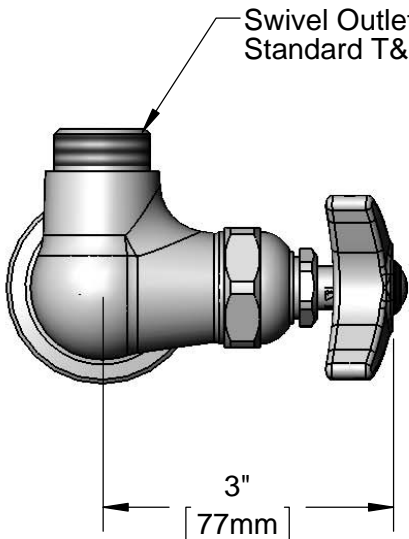
Customer/Wholesaler _____

Contractor _____

Architect/Engineer _____

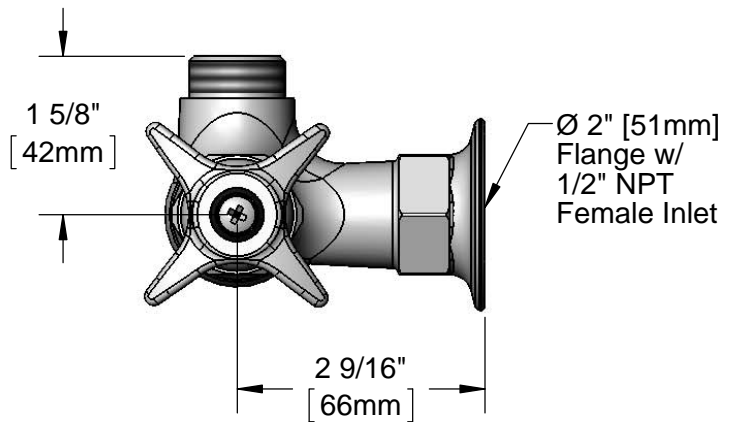


Eterna Cartridge &
 4-Arm Handle w/
 Color Coded Index (CW)



Swivel Outlet Accepts
 Standard T&S Swing Nozzles

3"
 [77mm]



1 5/8"
 [42mm]

Ø 2" [51mm]
 Flange w/
 1/2" NPT
 Female Inlet

2 9/16"
 [66mm]

Product Specifications:
 Single Hole Single Temp Wall Mount Swivel Faucet & 1/2" NPT
 Female Inlet, Less Nozzle

Drawn
DHL

Checked
DMH

Approved
JHB

Scale:
1:2

Date:
11/02/12



T&S BRASS AND BRONZE WORKS, INC.

2 Saddleback Cove / P.O. Box 1088
Travelers Rest, SC 29690

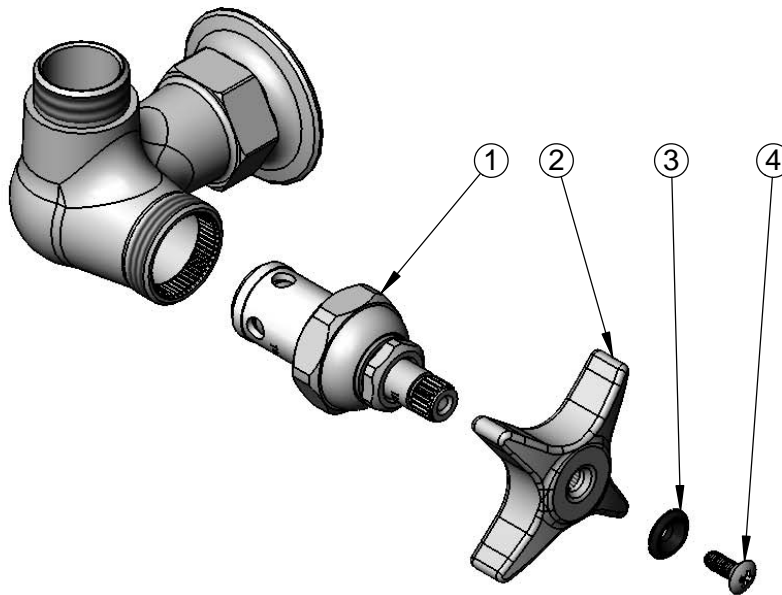
Model No.

B-0210-LN

Item No.

Travelers Rest, SC: 800-476-4103 • Simi Valley, CA: 800-423-0150 • Fax: 864-834-3518 • www.tsbrass.com

ITEM NO.	SALES NO.	DESCRIPTION
1	005960-40	Eterna Cartridge, RTC
2	002521-45	4-Arm Handle
3	001660-45	Blue Index-CW
4	000922-45	Lever Handle Screw



Product Specifications:
Single Hole Single Temp Wall Mount Swivel Faucet & 1/2" NPT
Female Inlet, Less Nozzle

Drawn

DHL

Checked

DMH

Approved

JHB

Scale:

NTS

Date:

11/02/12