



T&S BRASS AND BRONZE WORKS, INC.

2 SADDLEBACK COVE / P.O. BOX 1088 / TRAVELERS REST, SC 29690

PHONE 800-476-4103

FAX 864- 834-3518



REG.#A2601
ISO #9002

Model No.

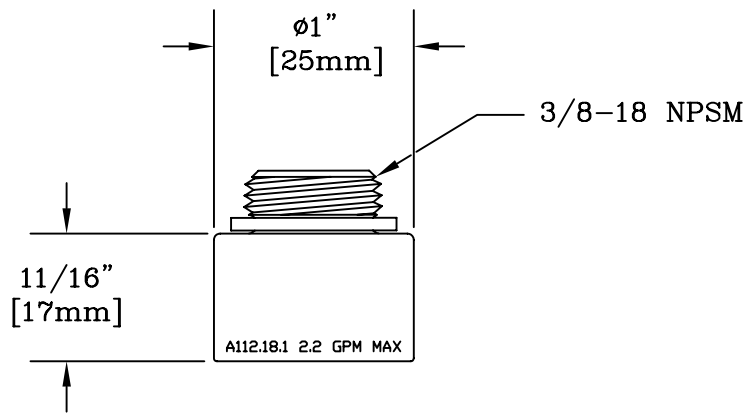
B-0199-07

Item No.:

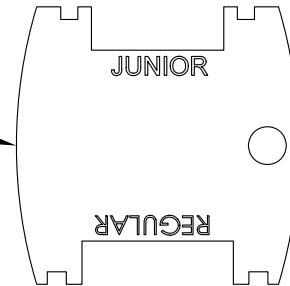
Job Name:

Architect/Engineer Approval:

Notes:



FURNISHED WITH
VANDAL RESISTANT
AERATOR KEY



Product Description:

VANDAL RESISTANT AERATOR WITH
3/8 NPSM MALE THREAD & INSTALLATION KEY

Drawn:

BHR

Approved

JHB

Checked

DHL

Scale:

1 : 1

Date:

7/11/07