



T&S BRASS AND BRONZE WORKS, INC.
 2 SADDLEBACK COVE / P.O. BOX 1088 / TRAVELERS REST, SC 29690
 PHONE 800-476-4103 FAX 864- 834-3518



Model No.

B-0199-01F

Item No.:

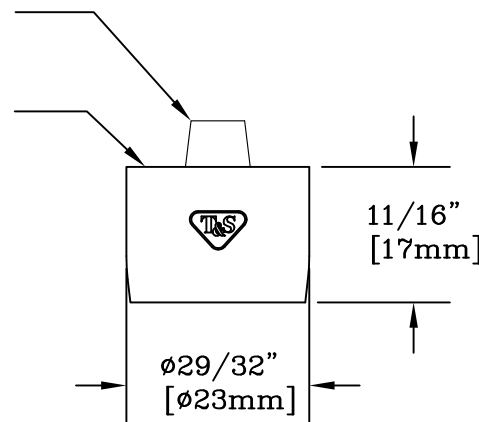
Job Name:

Architect/Engineer Approval:

Notes:

FLOW CONTROL TOWER
 (SPECIFY FLOW DESIRED
 FROM CHART BELOW)

55/64-27 UN
 FEMALE THREADS



NOTE: SELECT FLOW CONTROL DESIRED, THEN ADD SUFFIX TO MODEL NO.

FLOW (GPM±15%)	SUFFIX	SPECIFY
0.25	-03	B-0199-01F-03
0.40	-05	B-0199-01F-05
0.70	-07	B-0199-01F-07
0.90	-10	B-0199-01F-10
1.20	-12	B-0199-01F-12
1.40	-15	B-0199-01F-15
2.00	-20	B-0199-01F-20

Product Description:

FLOW CONTROL AERATOR W/
 55/64-27 UNS FEMALE THREADS.

Drawn:

KJG

Checked

DMH

Scale:

1' = 1'

Approved

JHB

Date:

10/06/11