



# T&S BRASS AND BRONZE WORKS, INC.

2 SADDLEBACK COVE / P.O. BOX 1088 / TRAVELERS REST, SC 29690

PHONE 800-476-4103

FAX 864-834-3518



REG.#A2601  
ISO #9002

Model No.

B-0199-01F

Item No.:

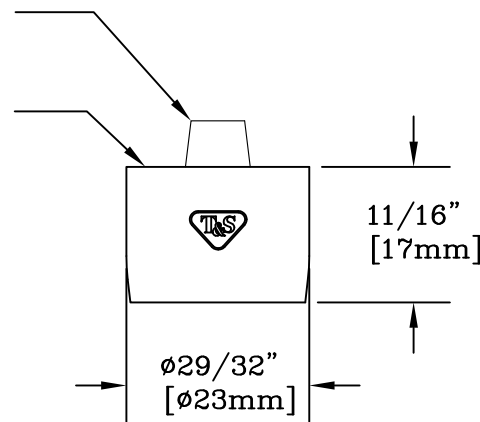
Job Name:

Architect/Engineer Approval:

Notes:

FLOW CONTROL TOWER  
(SPECIFY FLOW DESIRED  
FROM CHART BELOW)

55/64-27 UN  
FEMALE THREADS



NOTE: SELECT FLOW CONTROL DESIRED, THEN ADD SUFFIX TO MODEL NO.

FLOW (GPM±15%)	SUFFIX	SPECIFY
0.25	-03	B-0199-01F-03
0.40	-05	B-0199-01F-05
0.70	-07	B-0199-01F-07
0.90	-10	B-0199-01F-10
1.20	-12	B-0199-01F-12
1.40	-15	B-0199-01F-15
2.00	-20	B-0199-01F-20

Product Description:

FLOW CONTROL AERATOR W/  
55/64-27 UNS FEMALE THREADS.

Drawn:

KJG

Checked

DMH

Scale:

1' = 1'

Approved

JHB

Date:

10/06/11