



T&S BRASS AND BRONZE WORKS, INC.

2 Saddleback Cove / P.O. Box 1088
 Travelers Rest, SC 29690



REG. #A2601
 ISO #9001

Model No.

B-0163

Item No.

Travelers Rest, SC: 800-476-4103 • Simi Valley, CA: 800-423-0150 • Fax: 864-834-3518 • www.tsbrass.com

This Space for Architect/Engineer Approval

Job Name _____ Date _____

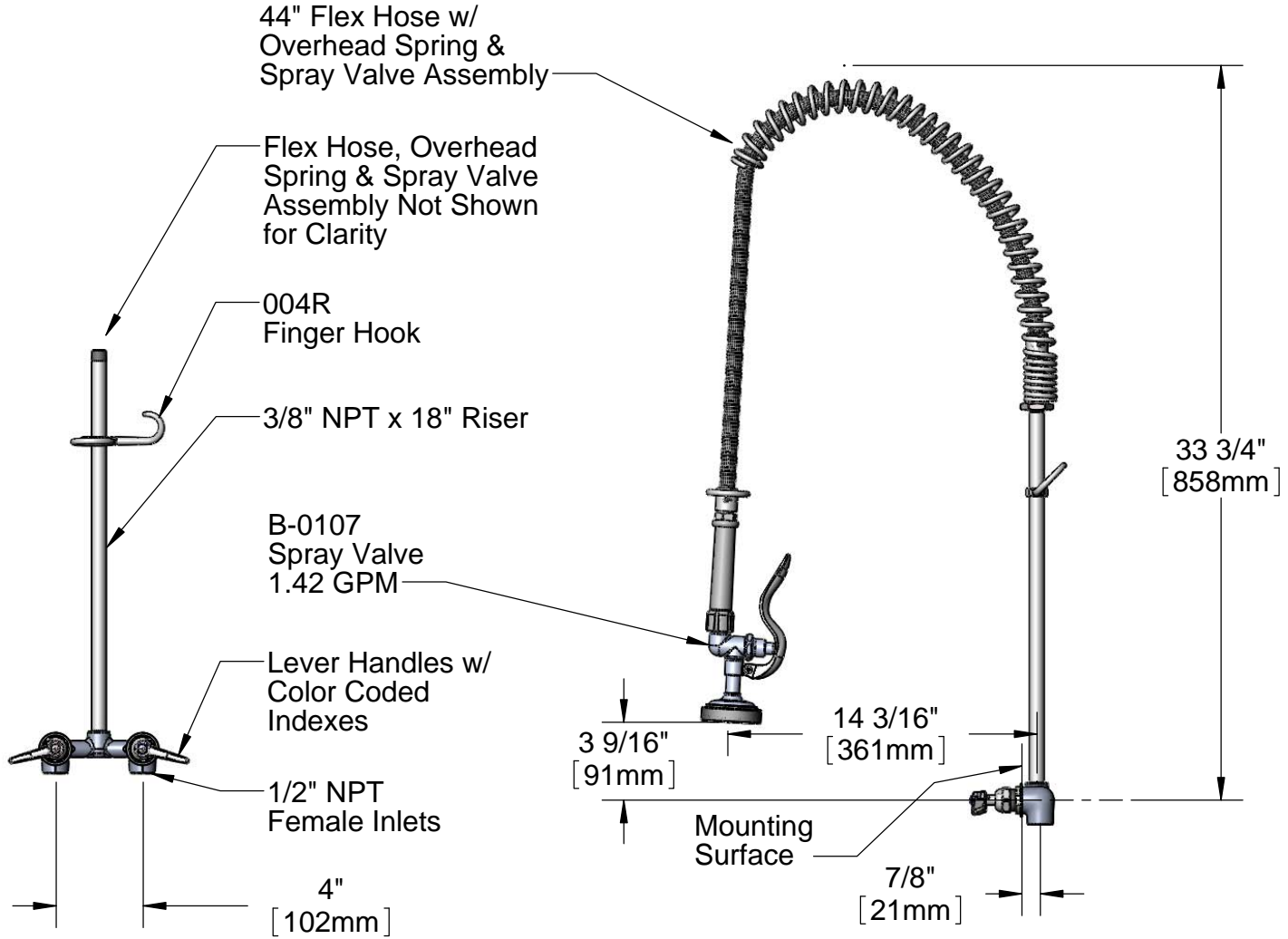
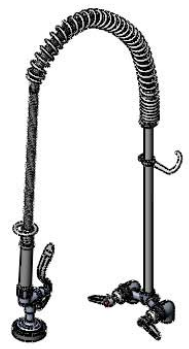
Model Specified _____ Quantity _____

Customer/Wholesaler _____

Contractor _____

Architect/Engineer _____

EPAct 2005 Compliant



Product Specifications:
 4" c/c Concealed Wall Mount Mixing Faucet, 1/2" NPT Female Inlets,
 18" Riser, Overhead Spring, 44" Flex Hose & B-0107 Spray Valve

Drawn JRM	Checked DMH	Approved JHB
Scale: 1:8		Date: 07/14/11



T&S BRASS AND BRONZE WORKS, INC.

2 Saddleback Cove / P.O. Box 1088
Travelers Rest, SC 29690



REG. #A2601
ISO #9001

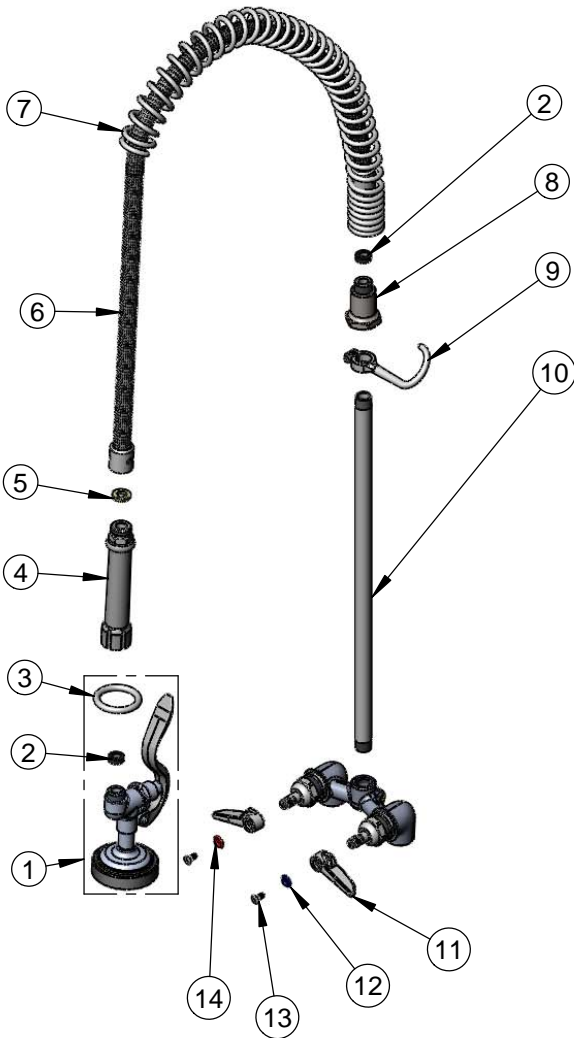
Model No.

B-0163

Item No.

Travelers Rest, SC: 800-476-4103 • Simi Valley, CA: 800-423-0150 • Fax: 864-834-3518 • www.tsbrass.com

ITEM NO.	SALES NO.	DESCRIPTION
1	B-0107	Spray Valve Assembly
2	010476-45	#27 Washer
3	000907-45	Spray Valve Hold Down Ring
4	002987-40	Handle Grip
5	001014-45	Washer, B-0100 Hose Barrel
6	B-0044-H2A	44" SS Flex Hose Less Handle
7	000888-45	EasyInstall Overhead Spring
8	000821-40	Spring Body
9	004R	Finger Hook Assembly
10	000369-40	3/8" NPT x 18" Long Riser
11	001638-45	Lever Handle
12	001660-45	Blue Index-CW
13	000922-45	Lever Handle Screw
14	001661-45	Red Index-HW



Product Specifications:

4" c/c Concealed Wall Mount Mixing Faucet, 1/2" NPT Female Inlets, 18" Riser, Overhead Spring, 44" Flex Hose & B-0107 Spray Valve

Drawn	Checked	Approved
JRM	DMH	JHB
Scale:	Date:	
NTS	07/14/11	