



**T&S BRASS AND BRONZE WORKS, INC.**

2 Saddleback Cove / P.O. Box 1088  
Travelers Rest, SC 29690



REG. #A2601  
ISO #9001

Model No.

**B-0131**

Item No.

Travelers Rest, SC: 800-476-4103 • Simi Valley, CA: 800-423-0150 • Fax: 864-834-3518 • www.tsbrass.com

This Space for Architect/Engineer Approval

Job Name \_\_\_\_\_ Date \_\_\_\_\_

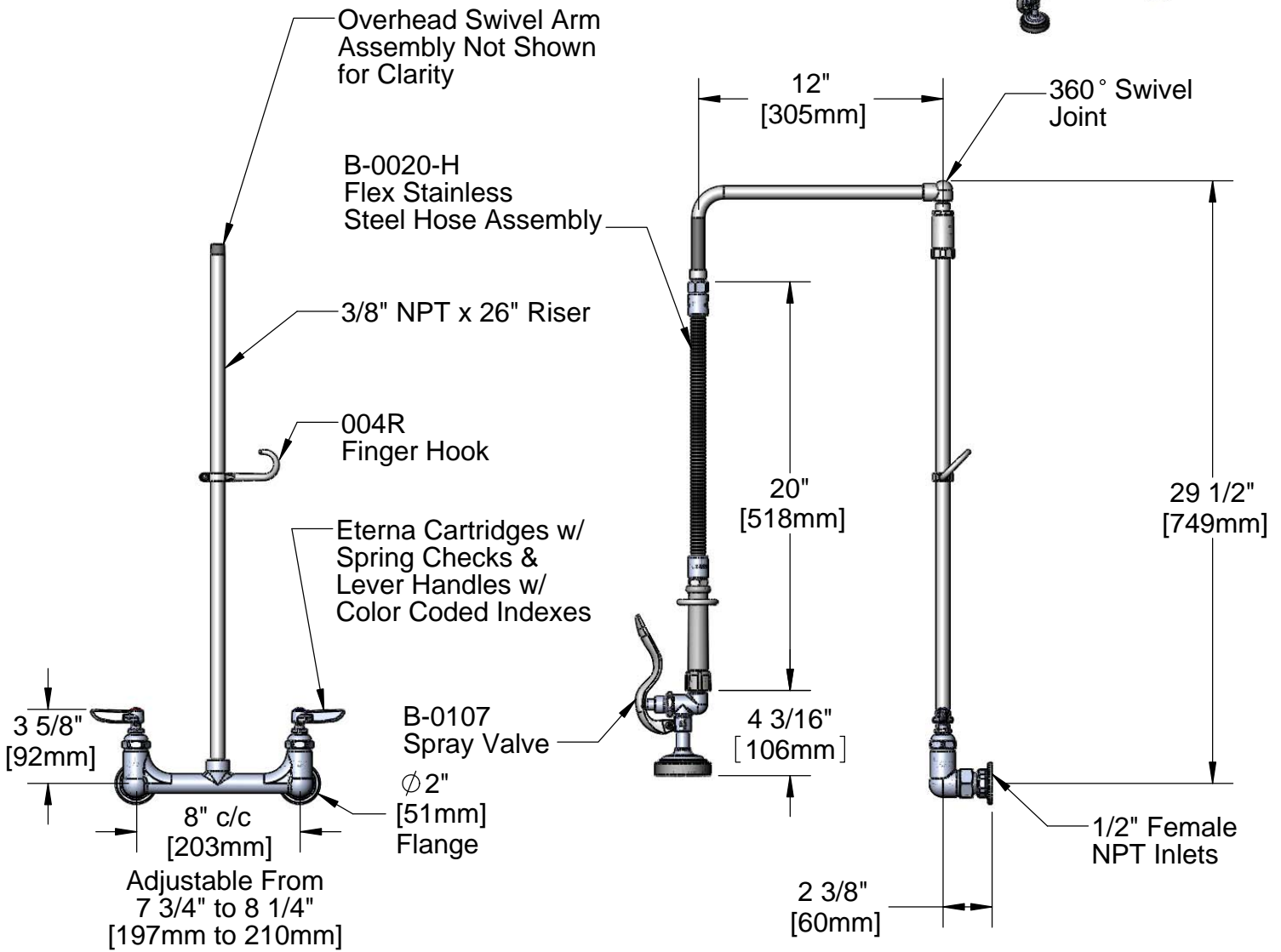
Model Specified \_\_\_\_\_ Quantity \_\_\_\_\_

Customer/Wholesaler \_\_\_\_\_

Contractor \_\_\_\_\_

Architect/Engineer \_\_\_\_\_

EPAct 2005 Compliant



Product Specifications:  
Pre-Rinse Unit w/ Lever Handles, 1/2" NPT Female Inlets, 26" Riser, B-0020-H Flex Hose, Overhead Swivel Assembly & B-0107 Spray Valve

Drawn <b>JRM</b>	Checked <b>DMH</b>	Approved <b>JHB</b>
Scale: <b>1:8</b>		Date: <b>07/14/11</b>



# T&S BRASS AND BRONZE WORKS, INC.

2 Saddleback Cove / P.O. Box 1088  
Travelers Rest, SC 29690



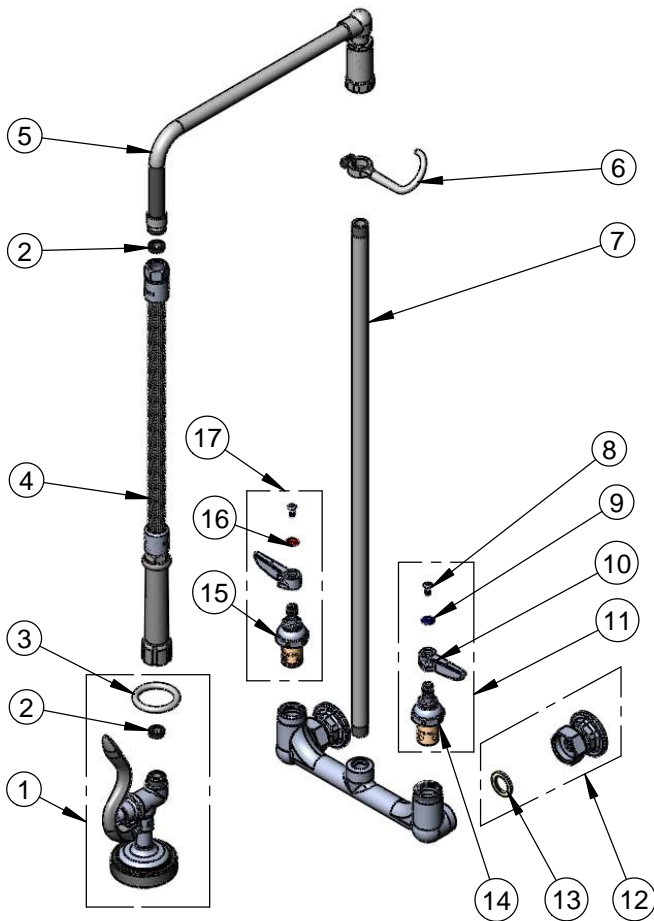
REG. #A2601  
ISO #9001

Model No.

**B-0131**

Item No.

Travelers Rest, SC: 800-476-4103 • Simi Valley, CA: 800-423-0150 • Fax: 864-834-3518 • www.tsbrass.com



ITEM NO.	SALES NO.	DESCRIPTION
1	B-0107	Spray Valve w/ Hold Down Ring & Washer
2	010476-45	#27 Washer
3	000907-45	Spray Valve Hold Down Ring
4	B-0020-H	68" SS Flex Hose w/o Handle
5	002882-40	L-Tube Assembly, 12"
6	004R	Finger Hook Assembly
7	000373-40	3/8" NPT, 26" Length Riser
8	000922-45	Lever Handle Screw
9	001660-45	Blue Index-CW
10	001638-45	Lever Handle
11	002711-40	Cold Eterna Cartridge (LTC) w/ Spring Check, Handle, Index & Screw
12	00AA	Flange Assembly
13	001019-45	Coupling Nut Washer
14	012442-40	Cold Eterna Cartridge (LTC) w/ Spring Check
15	012443-40	Hot Eterna Cartridge (RTC) w/ Spring Check
16	001661-45	Red Index-HW
17	002712-40	Hot Eterna Cartridge (RTC) w/ Spring Check, Handle, Index & Screw

Product Specifications:  
Pre-Rinse Unit w/ Lever Handles, 1/2" NPT Female Inlets,  
26" Riser, B-0020-H Flex Hose, Overhead Swivel Assembly  
& B-0107 Spray Valve

Drawn	Checked	Approved
JRM	DMH	JHB
Scale:		Date:
NTS		07/14/11