



# T&S BRASS AND BRONZE WORKS, INC.

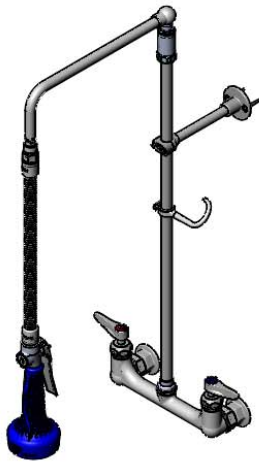
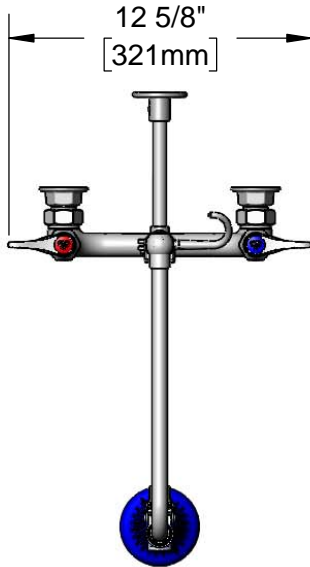
2 Saddleback Cove / P.O. Box 1088  
Travelers Rest, SC 29690

Model No.

**B-0131-CR-B08C**

Item No.

Travelers Rest, SC: 800-476-4103 • Simi Valley, CA: 800-423-0150 • Fax: 864-834-3518 • www.tsbrass.com



This Space for Architect/Engineer Approval

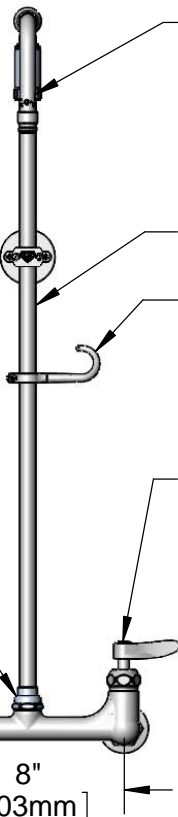
Job Name \_\_\_\_\_ Date \_\_\_\_\_

Model Specified \_\_\_\_\_ Quantity \_\_\_\_\_

Customer/Wholesaler \_\_\_\_\_

Contractor \_\_\_\_\_

Architect/Engineer \_\_\_\_\_



Items Not Shown for Clarity

20" Flexible Stainless Steel Hose Assembly

3/8" NPT x 26" Riser

Finger Hook

B-0108-C  
0.65 GPM Low Flow Spray Valve

Quarter-Turn Cerama Cartridges w/ Check Valves & Lever Handles w/ Color Coded Indexes

EasyInstall Lock Nut & Bushing

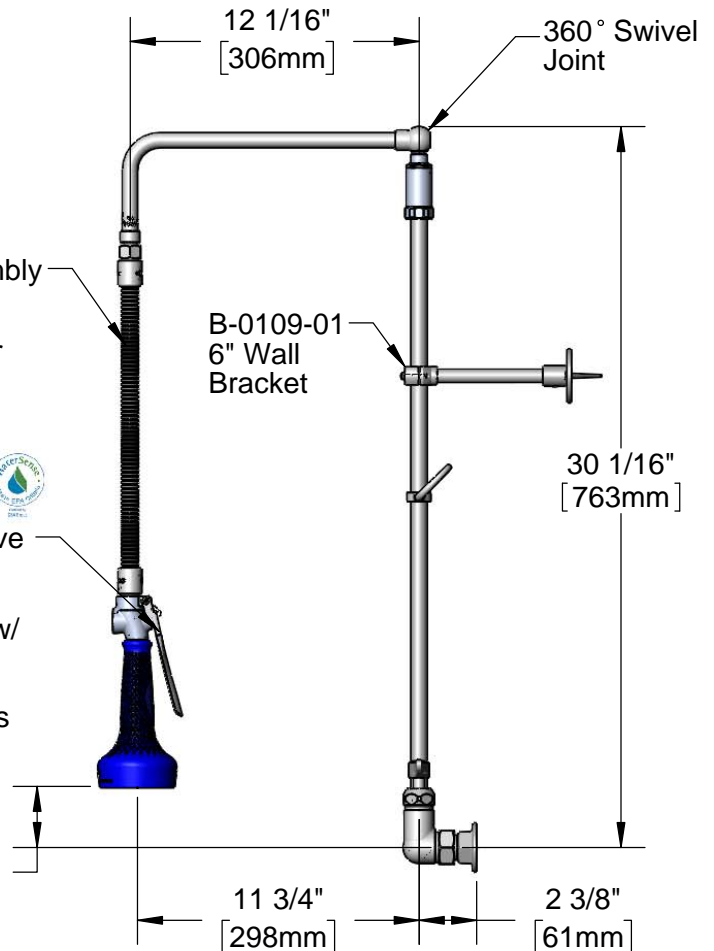
3 11/16" [93mm]

Ø 2" [51mm] Flanges w/ 1/2" NPT Female Inlets

Adjustable From 7 3/4" to 8 1/4" [197mm to 210mm]

8" [203mm]

2 9/16" [65mm]



12 1/16" [306mm]

360° Swivel Joint

B-0109-01  
6" Wall Bracket

30 1/16" [763mm]

11 3/4" [298mm]

2 3/8" [61mm]

**Product Specifications:**

8" Wall Mount Pre-Rinse Unit w/ Lever Handles, Quarter-Turn Cerama Cartridges, 26" Riser, 20" Flexible Stainless Steel Hose, Overhead Swivel Assembly, 0.65 GPM Low Flow Spray Valve, 6" Wall Bracket & 1/2" NPT Female Inlets

**Product Compliance:**

ASME A112.18.1 / CSA B125.1  
NSF 61 - Section 9  
NSF 372 (Low Lead Content)  
EPA Act 2005 (PRSV)  
EPA WaterSense (PRSV)



# T&S BRASS AND BRONZE WORKS, INC.

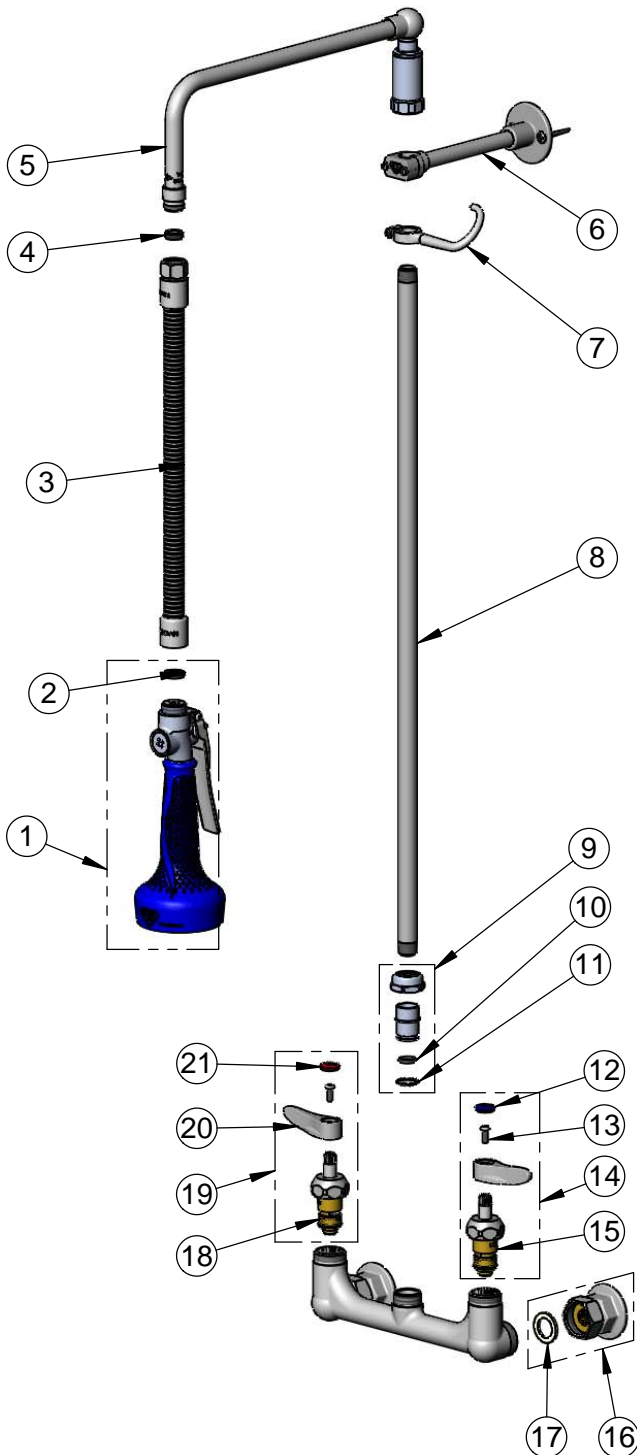
2 Saddleback Cove / P.O. Box 1088  
Travelers Rest, SC 29690

Model No.

**B-0131-CR-B08C**

Item No.

Travelers Rest, SC: 800-476-4103 • Simi Valley, CA: 800-423-0150 • Fax: 864-834-3518 • www.tsbrass.com



ITEM NO.	SALES NO.	DESCRIPTION
1	B-0108-C	0.65 GPM Low Flow Spray Valve
2	001014-45	Washer, B-0100 Hose Barrel
3	B-0020-H2A	20" Flexible Stainless Steel Hose, Less Handle
4	010476-45	#27 Washer
5	002882-40	12" L-Tube Assembly
6	B-0109-01	6" Wall Bracket
7	004R	Finger Hook
8	000373-40	3/8" NPT x 26" Riser
9	EZ-K	EasyInstall Kit
10	001065-45	O-ring
11	014200-45	Star Washer, Anti-Rotation
12	018506-19NS	Blue Button Index, Press-in
13	000925-45	Lab Handle Screw
14	012447-25NS	Quarter-Turn Cerama Cartridge w/ Check Valve, Handle, Blue Index & Screw, LTC
15	012395-25NS	Quarter-Turn Cerama Cartridge w/ Check Valve, LTC
16	00AA	1/2" NPT Female Eccentric Flange
17	001019-45	Coupling Nut Washer
18	012394-25NS	Quarter-Turn Cerama Cartridge w/ Check Valve, RTC
19	012446-25NS	Quarter-Turn Cerama Cartridge w/ Check Valve, Handle, Red Index & Screw, RTC
20	001638-45NS	Lever Handle (New Style)
21	001193-19NS	Red Button Index, Press-in

**Product Specifications:**

8" Wall Mount Pre-Rinse Unit w/ Lever Handles, Quarter-Turn Cerama Cartridges, 26" Riser, 20" Flexible Stainless Steel Hose, Overhead Swivel Assembly, 0.65 GPM Low Flow Spray Valve, 6" Wall Bracket & 1/2" NPT Female Inlets

**Product Compliance:**

ASME A112.18.1 / CSA B125.1  
NSF 61 - Section 9  
NSF 372 (Low Lead Content)  
EPA Act 2005 (PRSV)  
EPA WaterSense (PRSV)