



T&S BRASS AND BRONZE WORKS, INC.

2 Saddleback Cove / P.O. Box 1088
Travelers Rest, SC 29690



REG. #A2601
ISO #9001

Model No.

B-0126-R

Item No.

Travelers Rest, SC: 800-476-4103 • Simi Valley, CA: 800-423-0150 • Fax: 864-834-3518 • www.tsbrass.com

This Space for Architect/Engineer Approval

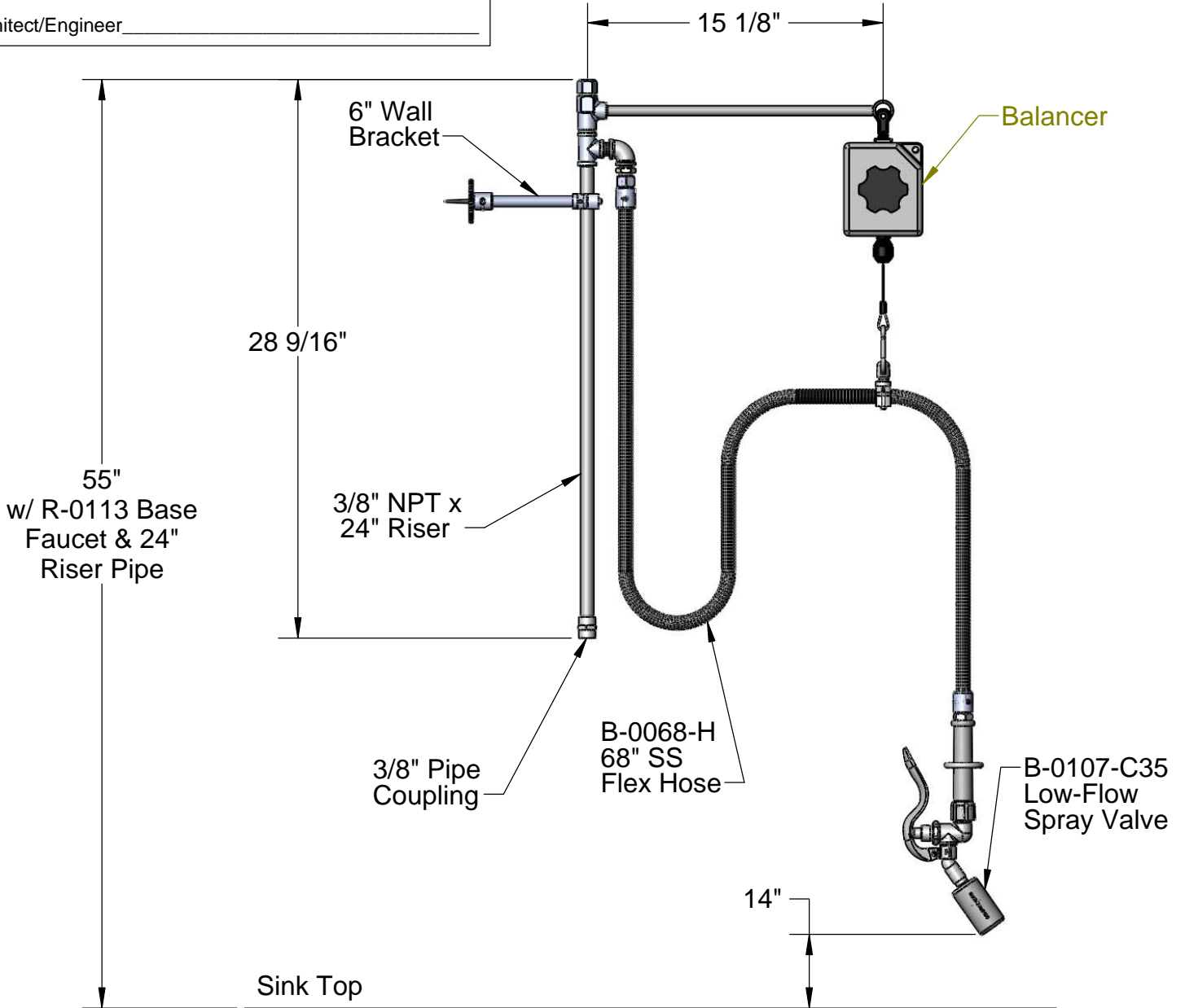
Job Name _____ Date _____

Model Specified _____ Quantity _____

Customer/Wholesaler _____

Contractor _____

Architect/Engineer _____



Product Specifications:
Pre-Rinse Unit Retro-Fit
for B-0126

Drawn

JRM

Checked

DMH

Approved

JHB

Scale:

1:8

Date:

07/14/11



T&S BRASS AND BRONZE WORKS, INC.

2 Saddleback Cove / P.O. Box 1088
Travelers Rest, SC 29690



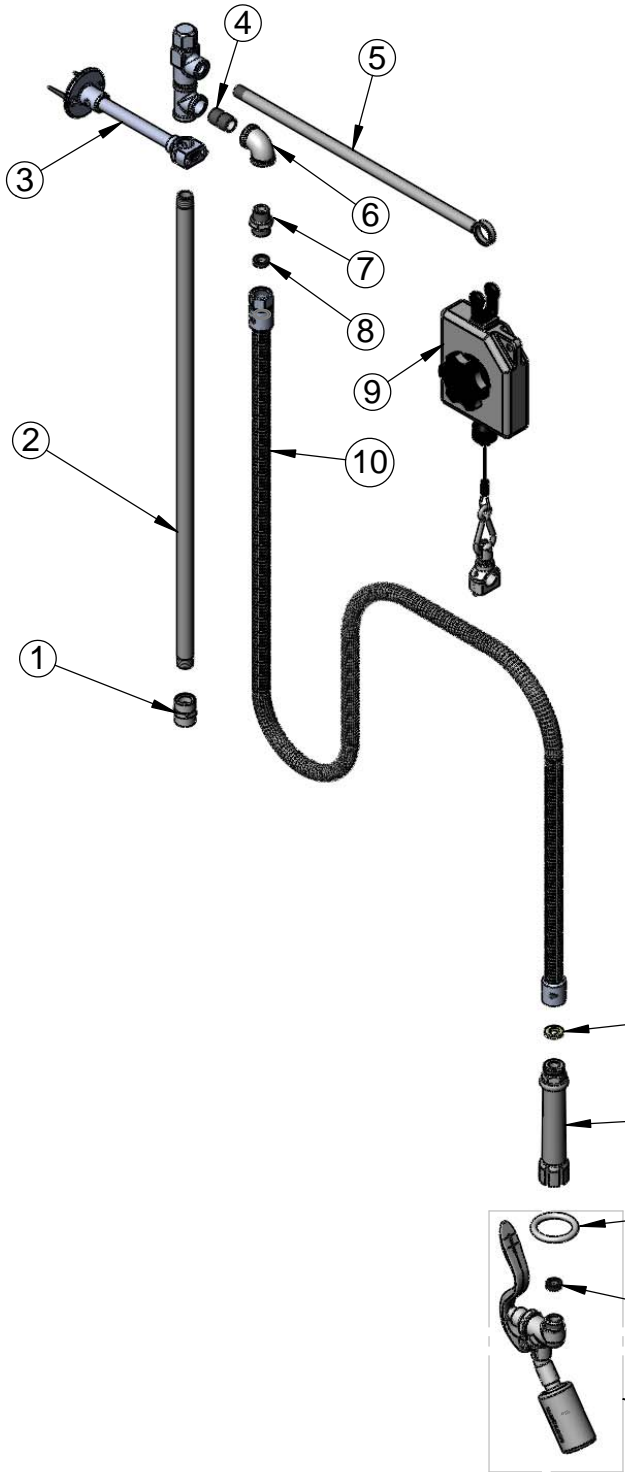
REG. #A2601
ISO #9001

Model No.

B-0126-R

Item No.

Travelers Rest, SC: 800-476-4103 • Simi Valley, CA: 800-423-0150 • Fax: 864-834-3518 • www.tsbrass.com



ITEM NO.	SALES NO.	DESCRIPTION
1	001769-40	Coupling, 3/8" NPT
2	000372-40	3/8" NPT x 24" Long Riser
3	B-0199-01	6" Wall Bracket
4	002535-25	3/8" Close Nipple
5	005252-20	Swivel Arm, Chrome Plated
6	001355-40	Elbow, 3/8 NPT
7	053A	Adapter, 3/8" NPT x 3/4"-14 UNS
8	010476-45	#27 Washer
9	005311-40	Balancer
10	B-0068-H2A	68" SS Flex Hose w/o Handle
11	001014-45	Washer, B-0100 Hose Barrel
12	002987-45	Handle Grip
13	000907-45	Spray Valve Hold Down Ring
14	B-0107-C35	Low Flow Angled Spray Valve

Product Specifications:
Pre-Rinse Unit Retro-Fit
for B-0126

Drawn JRM	Checked DMH	Approved JHB
Scale: NTS		Date: 07/14/11