



T&S BRASS AND BRONZE WORKS, INC.

2 Saddleback Cove / P.O. Box 1088
Travelers Rest, SC 29690



REG. #A2601
ISO #9001

Model No.

B-0044-V9

Item No.

Travelers Rest, SC: 800-476-4103 • Simi Valley, CA: 800-423-0150 • Fax: 864-834-3518 • www.tsbrass.com

This Space for Architect/Engineer Approval

Job Name _____ Date _____

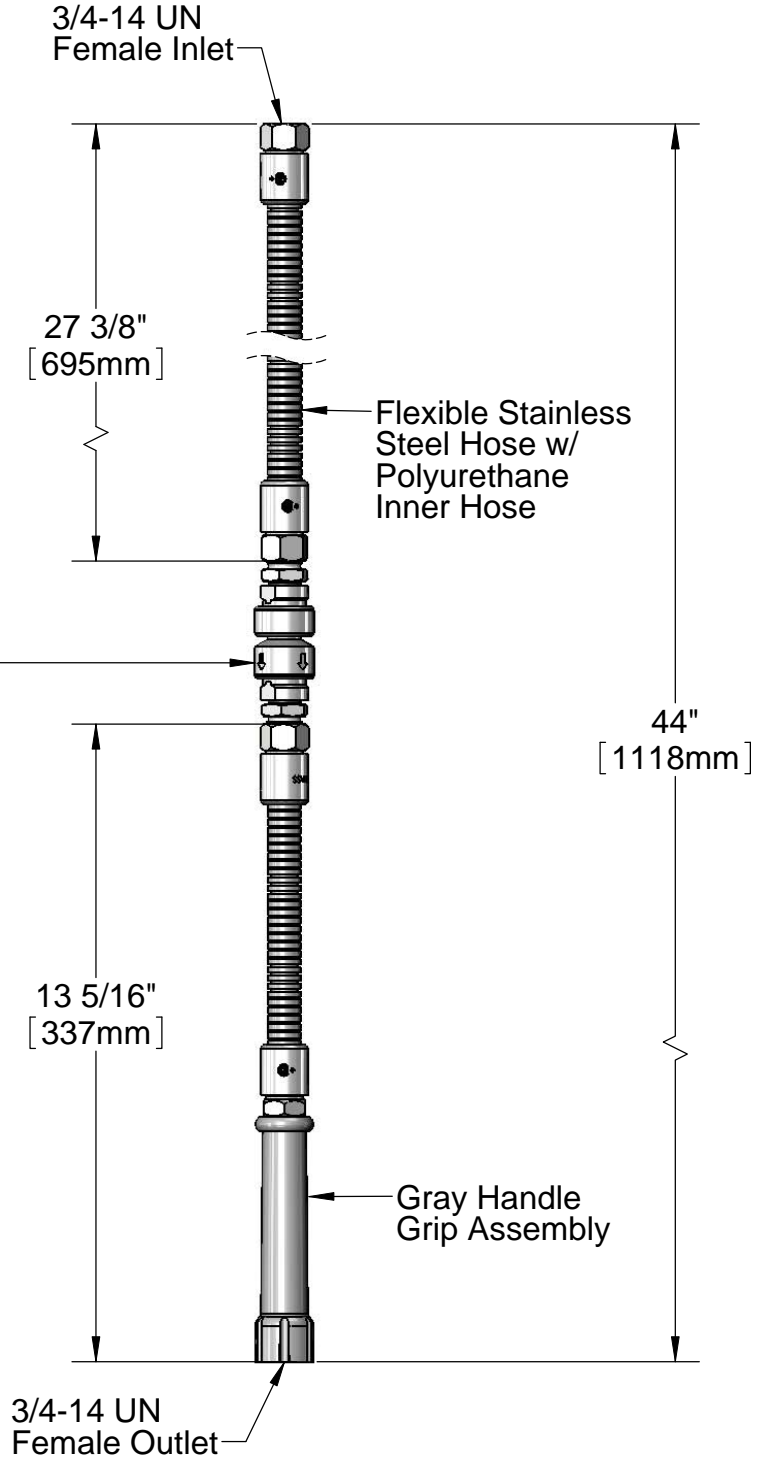
Model Specified _____ Quantity _____

Customer/Wholesaler _____

Contractor _____

Architect/Engineer _____

B-0970-FE
Continuous
Pressure
Atmospheric
Vacuum Breaker



Product Specifications:
44" Flexible Stainless Steel Hose Assembly
w/ B-0970-FE Vacuum Breaker

Drawn DHL	Checked KJG	Approved JHB
Scale: 1:4		Date: 04/04/11