

*This Space for Architect/Engineer Approval*

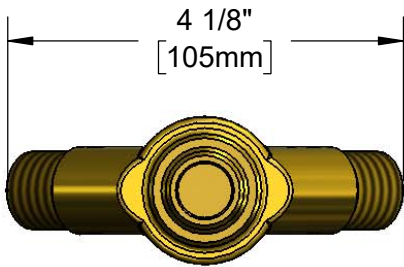
Job Name \_\_\_\_\_ Date \_\_\_\_\_

Model Specified \_\_\_\_\_ Quantity \_\_\_\_\_

Customer/Wholesaler \_\_\_\_\_

Contractor \_\_\_\_\_

Architect/Engineer \_\_\_\_\_



Mixed Water  
to Fixture

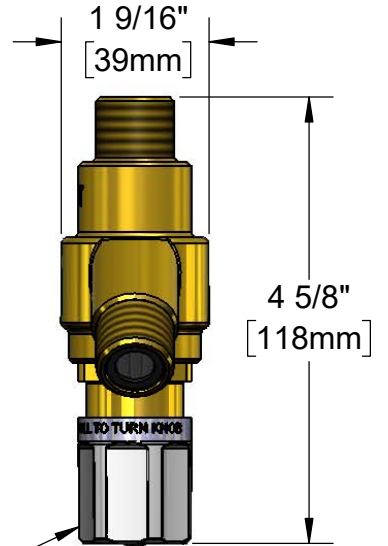
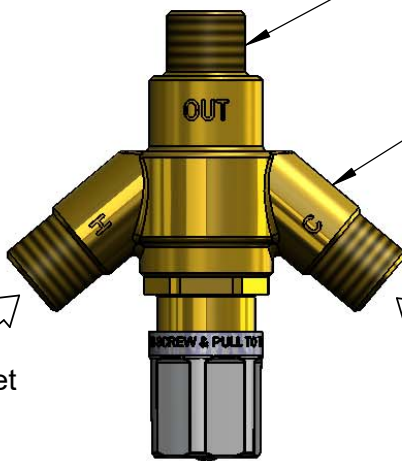


1/2" NPSM Male  
(3 Places)

Integral Check Valves  
Built into Hot and Cold Inlets  
Check Valve Filter Screens  
(Included)

Hot Inlet

Cold Inlet



Locking Adjustment Knob Prevents  
Water from Exceeding Customer's  
Maximum Temperature Set Point.  
Valve is Factory Pre-set to Deliver  
Mixed Water Temperature of  
Approximately 100°F (38°C) Max.

**Performance Rating:**

- Minimum Flow Rate: 0.35 GPM
- Pressure Drop at Minimum Flow Rate: 0.5 psi
- Maximum Pressure: 125 psi
- Hot Water Inlet Temperature Range: 120~180°F (49~82°C)
- Outlet Temperature Range: 80~120°F (27~49°C)
- Outlet Temperature Factory Setting: Approx. 100°F (38°C)

Model Number  
**5EF-TMV**

Product Specifications:  
**Thermostatic Mixing Valve with 1/2" NPSM Male Fittings**

Product Compliance:  
NSF 61 - Section 9  
NSF 372 (Low Lead Content)  
ASSE 1070

equip  
Foodservice  
Accessories



2 Saddleback Cove, P.O. Box 1088  
Travelers Rest, South Carolina 29690  
Phone: 800.891.4808 Fax: 800.868.0084  
equip.tsbrass.com