



T&S BRASS AND BRONZE WORKS, INC.
 2 Saddleback Cove / P.O. Box 1088
 Travelers Rest, SC 29690

Model No.
061X

Item No.

Travelers Rest, SC: 800-476-4103 • Simi Valley, CA: 800-423-0150 • Fax: 864-834-3518 • www.tsbrass.com

This Space for Architect/Engineer Approval

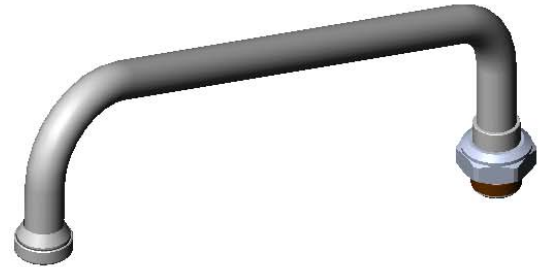
Job Name _____ Date _____

Model Specified _____ Quantity _____

Customer/Wholesaler _____

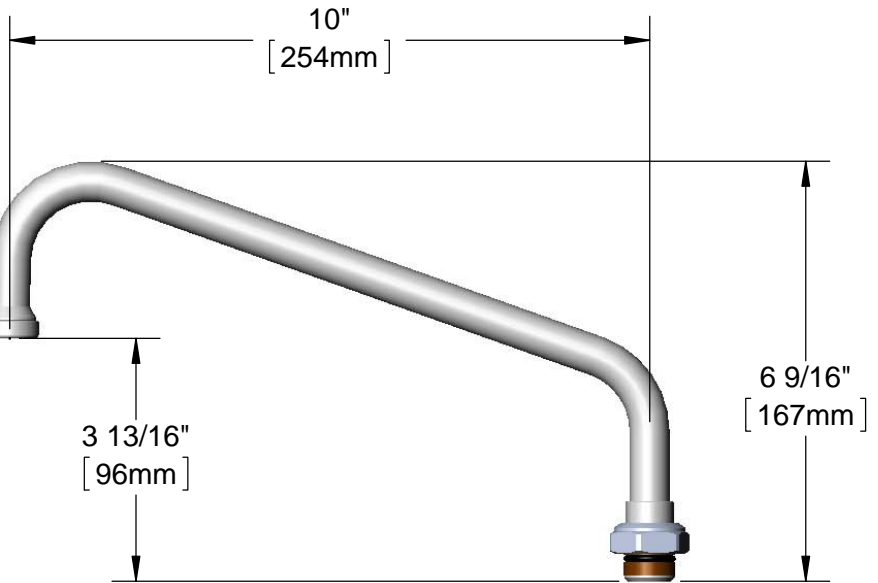
Contractor _____

Architect/Engineer _____



B-PT
Stream Regulator
Outlet

Swivel Nut Fits
All Standard T&S
Swivel Outlets



Product Specifications:

10" Swing Nozzle w/ Stream Regulator Outlet

Drawn KJG	Checked DHL	Approved JHB
Scale: 1:3		Date: 05/30/12